

# The Mercedes-Maybach S-Class



MAYBACH



# MAYBACH













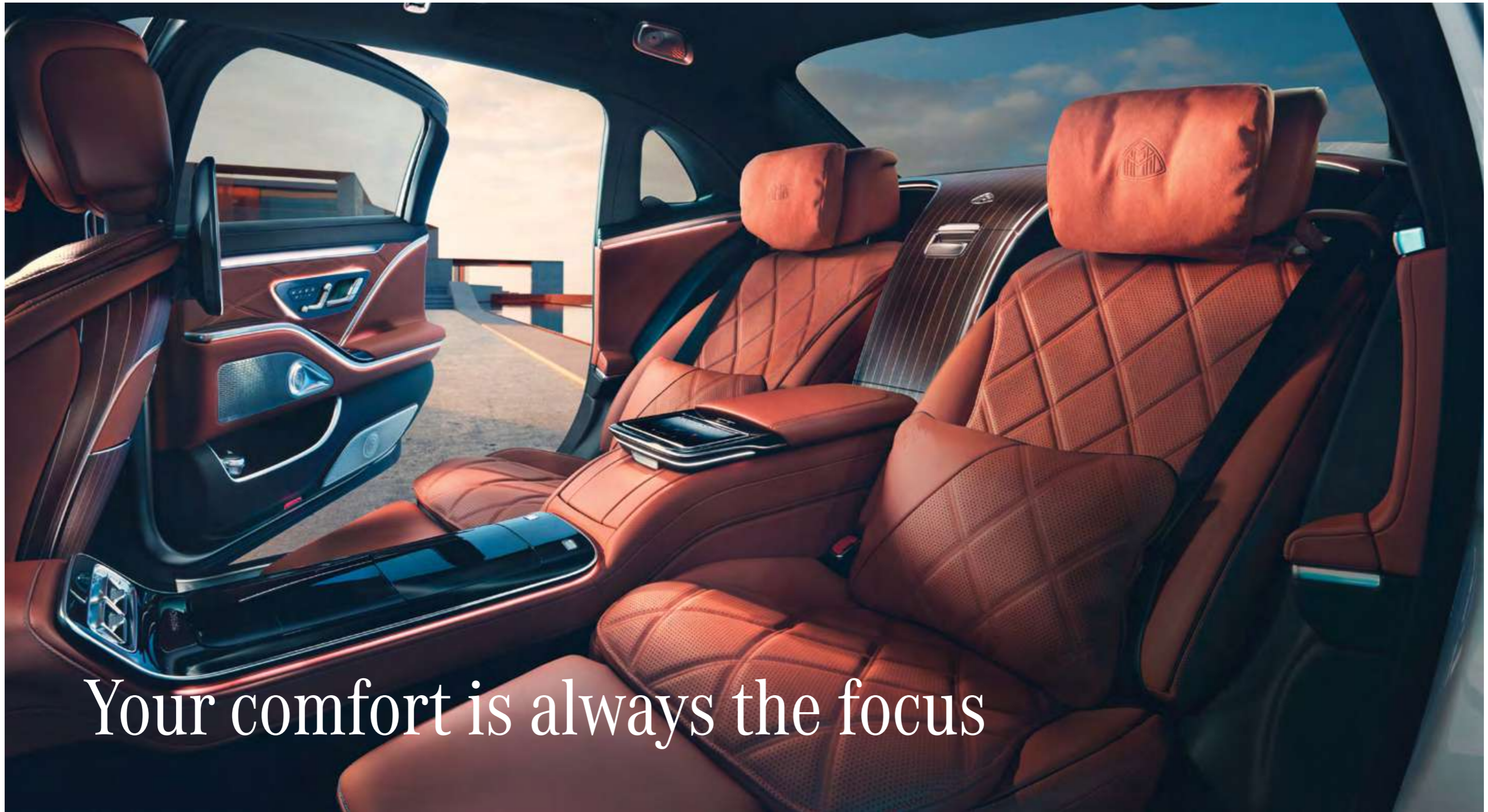
The wealth of independence





A symbol of modern aesthetics





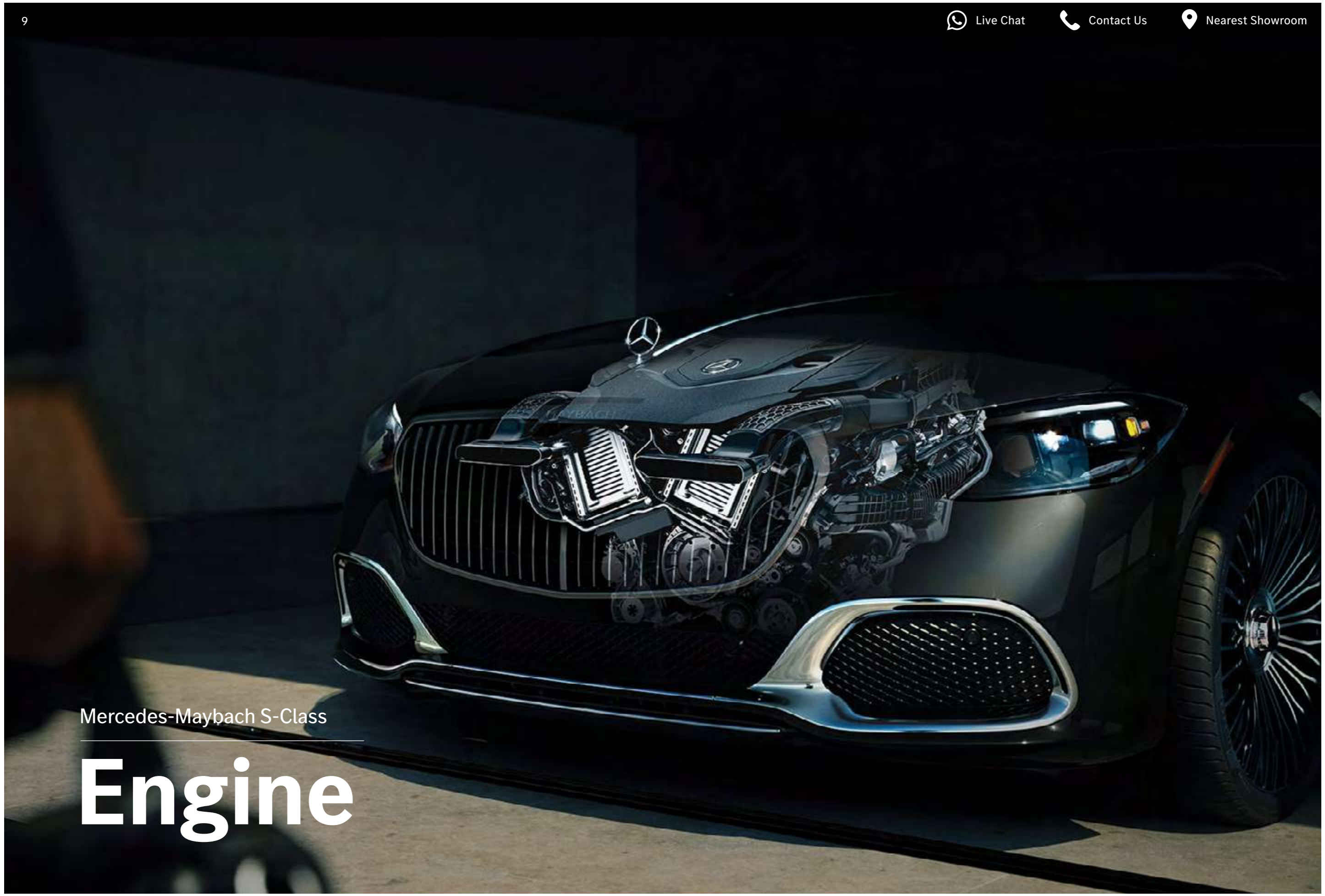
Your comfort is always the focus





Unique rear view with  
exceptional recognition value





Mercedes-Maybach S-Class

# Engine





## S 680 4MATIC

The culmination of engine construction. Its fascination lies in the technical structure - 12 cylinders arranged at an angle of 60 degrees mean the ultimate in smoothness. The extreme performance make this V12 unique.

## S 580 4MATIC

Two turbochargers positioned in the inner-V, systematic electrification with ISG and intelligent cylinder shut-off - these perfect partners combine fascinating performance and maximum efficiency. Superior alloys adopted from motorsport in the cylinder heads and cylinder barrels featuring NANOSLIDE® technology round off the power package.







## AIRMATIC

The AIRMATIC combines the advantages of several chassis in one - choose between comfort and dynamism. The range of the setup is impressive. The air suspension offers outstanding ride comfort even on difficult surfaces or a strong sporty performance. Practical: the automatic level control depending on the load.





Mercedes-Maybach S-Class

# Design



## DIGITAL LIGHT

With DIGITAL LIGHT, you can experience brilliant lighting conditions – constantly adjusted to other road users and to the surroundings. The HD system works like a projector and responds with brilliant light to changing traffic, road or weather conditions. The Highbeam Assist Plus also omits oncoming traffic or vehicles in front with a level of precision never seen before. The overall usable light cone is therefore enlarged significantly.

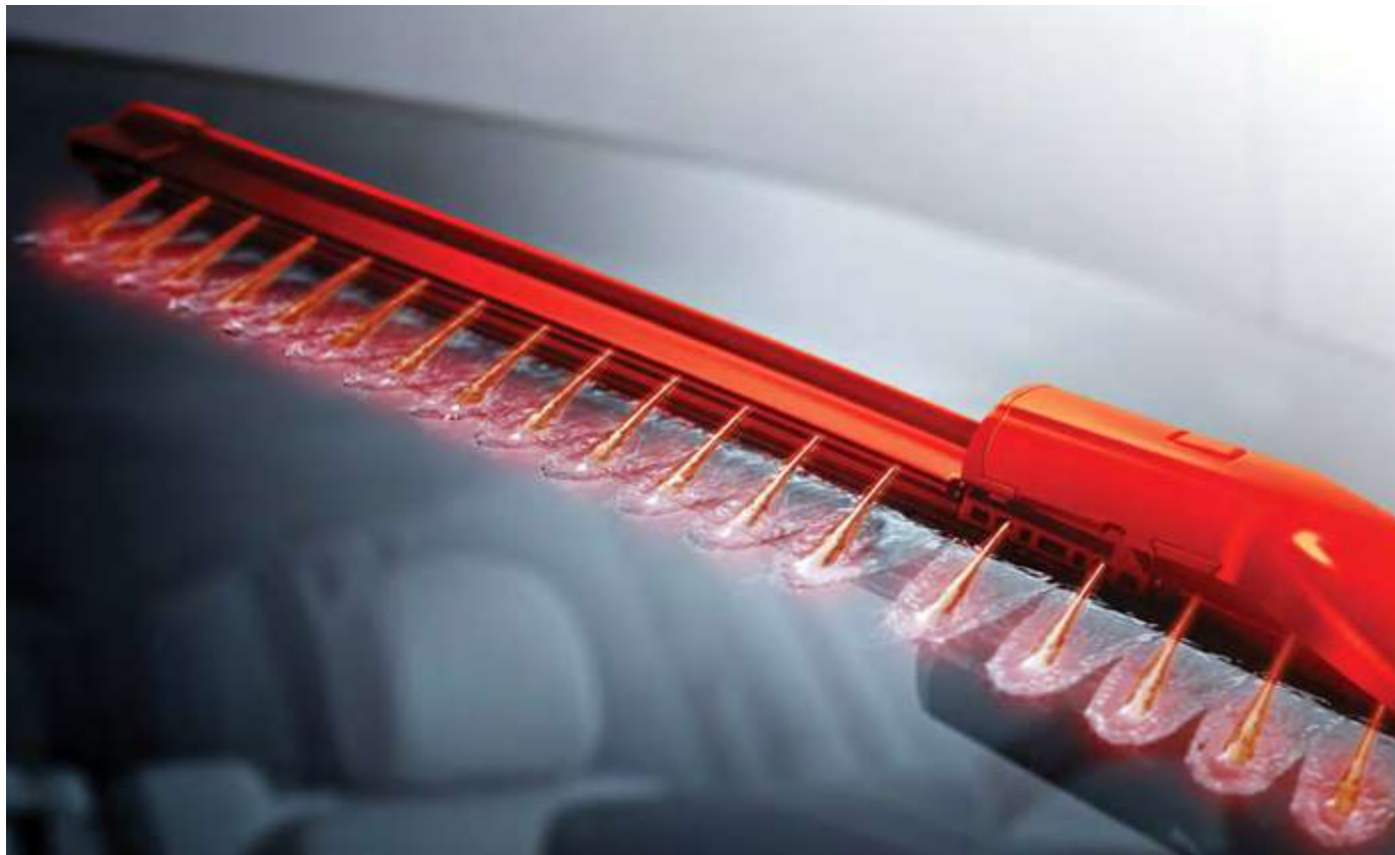


## Panoramic Sunroof

Whether open or closed: With the panoramic sliding roof you experience a fascinating feeling of freedom and enjoy a pleasantly bright ambience in the interior. From the outside, too, the generous sunroof has a unique effect, as it gives the exterior a feeling of lightness and exclusivity.

Innovative: operation via touch slider.





## MAGIC VISION CONTROL

More visibility, more safety: the innovative MAGIC VISION CONTROL system gives you a perfect view - even during the wiping process. Intelligent heated water channels are used in the windshield wipers. These spray the cleaning fluid onto the windshield directly in front of the wiper blades - exactly where it is needed.

## KEYLESS-GO with flush door handles

With KEYLESS-GO the search for a key is over. As soon as the convenience system detects your key in the immediate vicinity of the vehicle, the flush door handles extend automatically. When you drive off or lock the doors, they retract and are elegantly integrated into the side design - a clear technical and visual advantage for you.





## Executive seats

The automotive benchmark for rest, sleeping comfort and complete relaxation on long journeys. The continuous, comfortable lying surface of the executive seats, together with the electrically extendable leg rests, bring you into a pleasant sleeping position. Operate the seat back at the push of a button and enjoy an almost flat incline.

- Executive seats with backrest adjustment of up to 43.5°
- Leg rest with a support that can be adjusted by up to 50°
- Additional cushion for the legrest
- Cushionbag in the outer seat cushions
- PRE-SAFE® positioning function
- Calf massage in the rear







## Chauffeur Package

With the chauffeur package, the front passenger seat moves significantly further forward and its EASY ADJUST comfort headrest can also be folded down. The rear passenger on this side also benefits from a better view of the road. The fold-out footrest behind the front passenger seat also gives his legs a well-deserved break.

## Multicontour seats in the rear

Travel relaxed, arrive rested: With the multicontour seats in the second row, your rear passengers enjoy the same comfort benefits as the driver and front passenger. The pampering wellness effects of the massage function offer targeted relaxation. The ergonomically malleable backrest contour promotes a healthy posture.



## Memory package in front and rear

The memory package with fingerprint scanner offers practical ease of use - especially if your vehicle is used by different people. During the journey, the ENERGIZING seat kinetics keep you active - and take the strain off your back.

Rear passengers can find their preferred seating position at the touch of a button. You can save and select a total of three individual settings for each of the outer seats.

## Seat air conditioning

The seat climate control for driver and front passenger includes seat ventilation and seat heating plus - for an ideal seat climate all year round. The passengers in the rear enjoy just as comfortable a seating climate as the driver and front passenger. This makes traveling in the rear even more comfortable.

## Electrically adjustable rear and front seats including memory function

Tailor-made seating in the rear. Extremely comfortable and fully electrically adjustable - the backrest tilts up to 37 degrees. Comfort headrests with additional pillows also enhance the travel experience. Three selected positions are saved using the memory function and can be called up immediately. Comfortable travel with more legroom in the rear. The rear passenger on the front passenger side can move the front passenger seat forward electrically at the push of a button.

## Calf massage in the rear

Treat your legs to real relaxation: The calf massage in the rear stimulates blood circulation and helps you to regenerate after a strenuous day or between important appointments. So you arrive at your destination more relaxed.







## Automatic climate control THERMOTRONIC

The THERMOTRONIC regulates the individual temperature in two zones. So you and your front passenger can set the desired climate separately from each other. You never have to readjust because the sensitive sensors also register changed conditions such as solar radiation.

Individual climate comfort for the second row of seats: an additional air conditioning system extends the THERMOTRONIC to four independently controllable zones. Passengers in the rear choose the desired temperature and ventilation intensity. In addition, the heating or cooling effect occurs even faster.



## Exclusive package

Enjoy a fantastic ambience with the Exclusive package. Almost all surfaces are covered with exquisite nappa leather, the roof lining in high-quality DINAMICA microfibre. Additional decorative elements perfectly complement this exceptional value.

- Seats in Exclusive Nappa Maybach leather upholstery in a specific diamond design with perforation and double topstitching. Additionally covered with nappa leather:
  - Instrument panel including glove box
  - Center console in front
  - Door panels front and rear, door center panels with double stitching
  - Rear side section on the C-pillar including trim for the triangular window and beltline
  - Rear center armrest
  - Grab handles
- Headliner and sun visors in microfiber DINAMICA, depending on the upholstery in macchiato beige or black
- Decorative element package Exclusive
- Large wooden trim behind the rear seats on the parcel shelf
- Door sills with “Maybach” lettering, illuminated at the front and rear
- Floor mats deep pile







## Multifunction steering wheel in wood-leather design

The multifunction steering wheel in wood and leather combines fine materials with innovative ease of use. The combination of supple leather and wood spoils with a pleasant feel. The “MAYBACH” lettering in the vertical spoke also emphasizes the exclusive look. You control vehicle functions directly on the steering wheel via touch control panels.

## Burmester® high-end 4D surround sound system

You enjoy music with all of the senses and get a unique 4D experience. This new dimension comes courtesy of speaker-like exciters featuring sound massage. Surround speakers integrated into the seats also help to optimize the surround sound. In addition, you benefit from clear voice reproduction when using telephony functions.





## Active ambient lighting

With the active ambient lighting you are experiencing a technological leap. It links aesthetics with innovative driver information and extended functions. Wrap-around light strips and trim elements meld to form an additional lighting level. This also supports driving assistance systems visually, thus emphasising the intelligence of your vehicle.



## Adaptive rear lighting

Regardless of whether you are reading a book or working on your laptop: you can adjust the brightness and color temperature of the interior light to suit your taste and perception. You can also control LED spotlights individually to your desired position. Sparkling adaptive rear light strips complement the lighting functions and increase the lighting quality.





## Wireless charging system for mobile devices front and rear

Driving time becomes charging time: Save yourself the hassle of tangled cables and simply place your smartphone in the integrated charging cradle in the center console or in the rear, the storage compartment between the two seats. All Qi-compatible end devices are supported.



## AIR-BALANCE package

The AIR-BALANCE package offers an individual fragrance experience in the interior - to suit your personal preference and depending on the mood. Thanks to refreshing ionization, it also contributes to improved air quality on board and increased well-being.



## ENERGIZING AIR CONTROL

ENERGIZING AIR CONTROL monitors the air quality with the help of an air quality and particulate matter sensor - and displays it in MBUX. Your Mercedes intelligently switches between fresh air and recirculation mode. A cabin filter with an antibacterial effect reduces a large proportion of inhalable pollutants, and certain viruses are also reduced directly on the filter.





## ENERGIZING package

Comfort for all the senses: This package bundles a large number of premium equipment with innovative intelligence.

Your Mercedes can revitalize and pamper you in a targeted manner - for longer performance at the wheel and an extremely pleasant journey. With varied comfort programs and attractive extras such as the multicontour seats.

With the ENERGIZING rear package, passengers in the outer seats in the rear can also enjoy the unique ENERGIZING sensory comfort. It bundles premium equipment and pampers you with varied wellness programs and vitalizing fitness functions - for an extremely pleasant journey.



## EASY ADJUST comfort headrest for driver and front passenger

The EASY ADJUST comfort headrests with comfortable additional cushions can be adjusted electrically in terms of height and distance to the head. It is advantageous that this distance automatically adapts to a changed backrest guidance. This optimizes comfort and protection in the event of an accident. If you wish, you can fold in the headrest on the passenger side.



## Floor mats deep pile

The 4 deep-pile floor mats testify to your exclusive quality and design standards. They are designed in the respective equipment color and fit perfectly into the interior design. The mats also protect the footwell from dirt - they can be removed, vacuumed or cleaned in no time at all.





## Comfort doors in the rear

Mercedes-Maybach S-Class is equipped with electrically operated comfort rear doors. Use of this feature means that they open and close with no effort at all. Integration into MBUX and Active Blind Spot Assist ensures ease of use and additional safety. The rear doors can also be operated from the driver's seat - an important function when chauffeur-driven. The comfort doors can be operated in several different ways. They can be opened and closed manually using the inside and outside door handles, with the vehicle key, via the central display in the first seat row or the displays of the Rear Seat Entertainment System, or using a pressure switch in the roof liner.





## Sun protection package

Your all-round protection from direct sunlight and prying eyes. If necessary, you can raise the roller blinds quickly and easily - and noticeably reduce the heat effect on the interior. You keep a full view of the outside world.

## Electric sun blinds in the rear doors on the left and right

See but not be seen: the electrically retractable and extendable sun blinds in the two rear doors protect passengers from prying eyes and, in summer, from intense sunlight. The view to the outside is still possible.

## Double sun visor

The double sun visor for driver and front passenger protects you even more effectively against unpleasant glare. Thanks to the additional swiveling and horizontally sliding sun visors, you can protect yourself from glare from the front and the sides at the same time. This is a noticeable gain in comfort, especially when the sun is low.



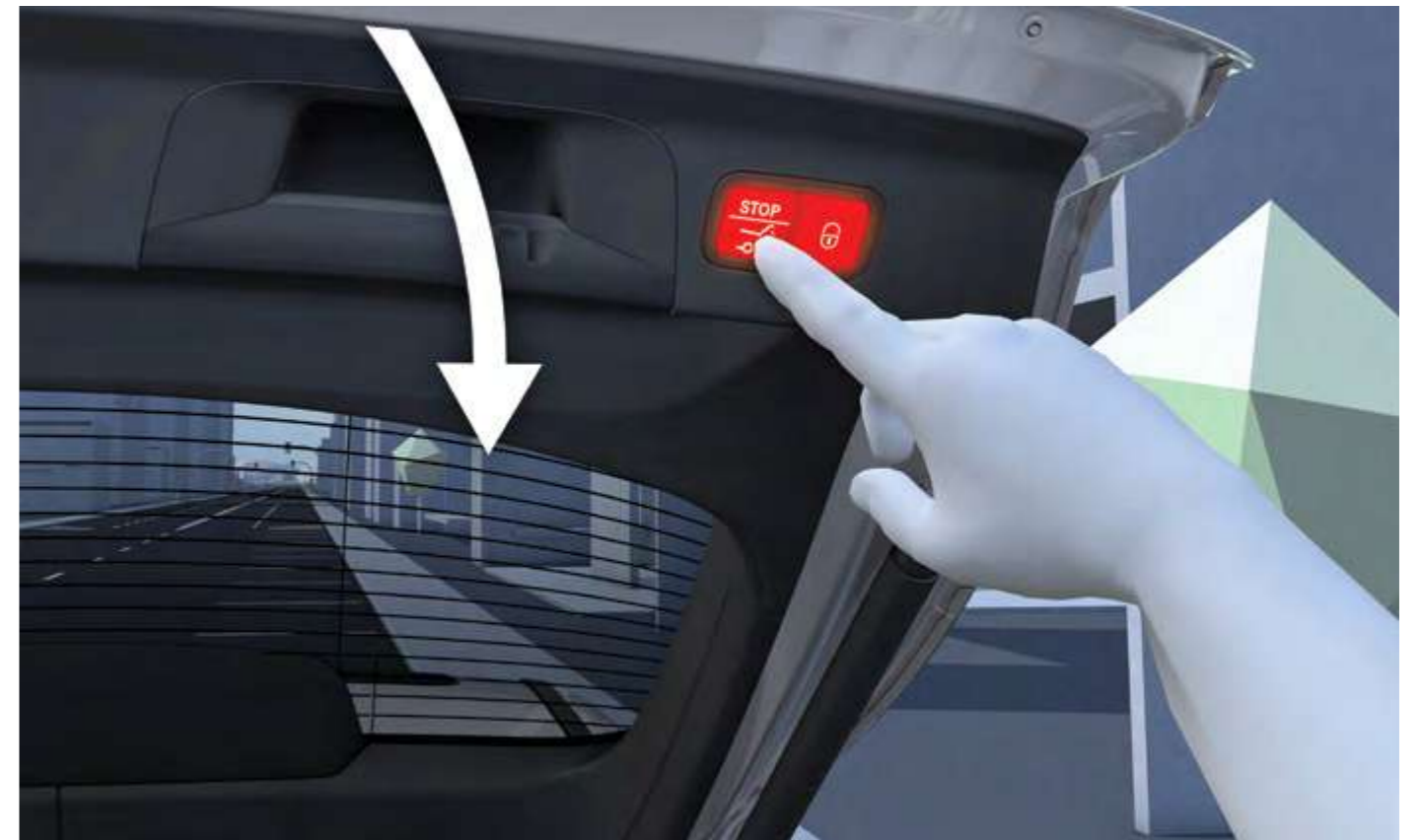


## Cargo space package

The cargo space package makes it easier for you to load the trunk. With HANDS-FREE ACCESS you open it with a kick movement under the rear apron. Thanks to the through-loading facility, there is also space for bulky items such as skis. Remote locking of the trunk lid at the push of a button also increases your ease of use.

## Remote trunk lid lock

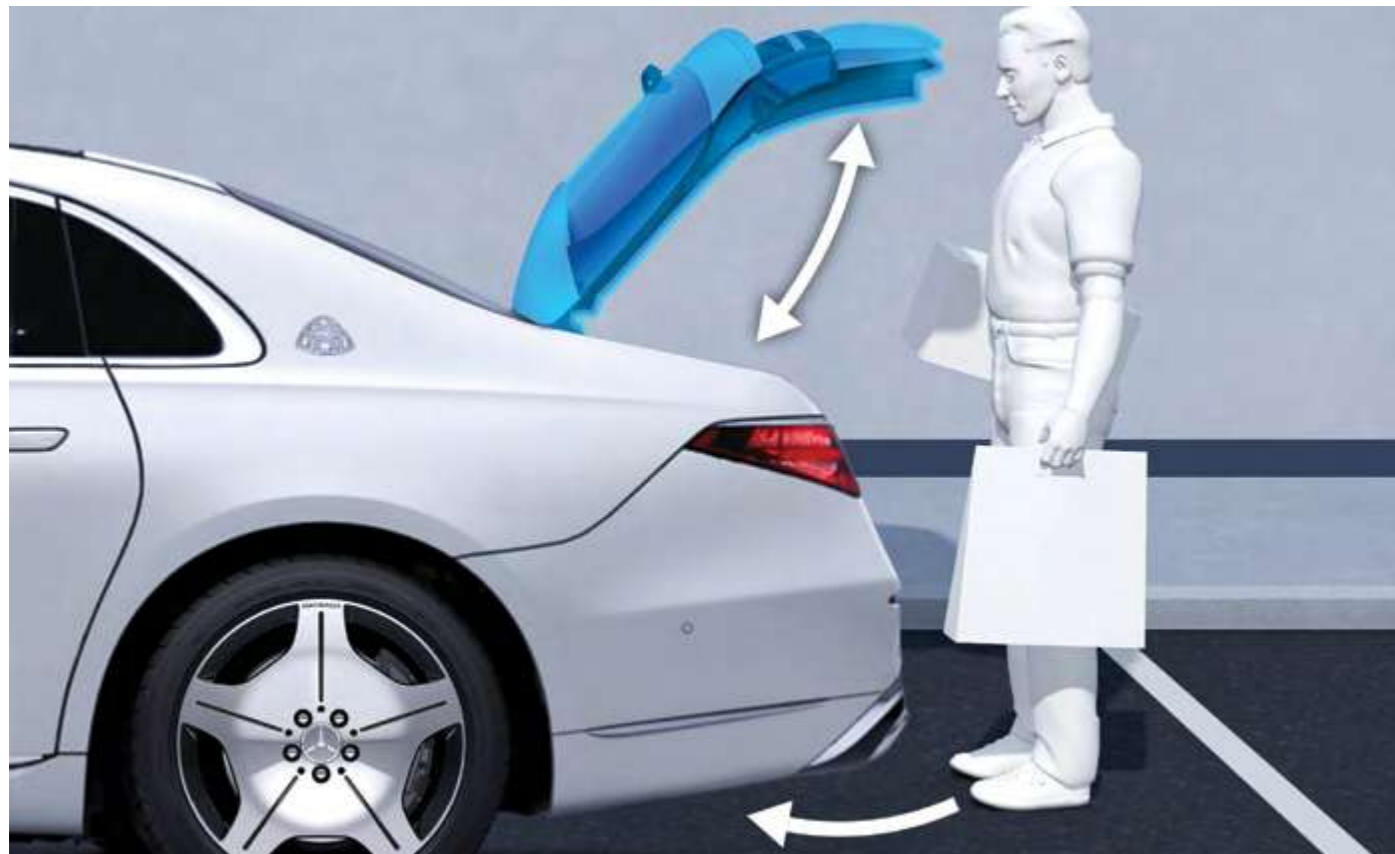
Convenient and variable operation: You can open and close the trunk lid easily from the driver's seat, on the trunk lid or remotely with the vehicle key. This makes loading and unloading easier for you. Thanks to servo locking, a motor pulls the trunk lid gently and almost noiselessly into the lock after the first click.





## HANDS-FREE ACCESS

Invite relaxed and stress-free with HANDS-FREE ACCESS: The trunk lid opens without contact. To do this, the sensor area under the rear bumper detects a kicking movement of your foot. This is especially helpful when you come back from shopping heavily packed.



## Servo closing

This is how quality sounds and feels: The power-assisted closing pulls doors gently and almost silently into the lock. All you have to do is close it until it clicks into place for the first time - your vehicle will do the rest for you.





## Seat heating plus for driver and front passenger

Cozy warmth for high seating and travel comfort after a very short time. In cooler weather or according to your personal wishes, the seat heating Plus brings the seat surfaces and backrests to a comfortable temperature particularly quickly. The intensity can be selected in three levels. Intelligent: the seat heating switches itself back automatically.

## Seat heating plus in the rear

Pamper your rear passengers with cozy warmth within a very short time. Seat surfaces and backrests are brought to a pleasant temperature particularly quickly, which significantly increases seating and travel comfort in cooler weather. The intensity can be selected in three levels. Intelligent: the seat heating switches itself back automatically.





## Decorative element package Exclusive

The Exclusive trim package gives your interior an individual look. You can create exciting contrasts with additional decorative elements on the back of the front seat backrests and, depending on the equipment, on the folding armrests in the rear. Rear passengers therefore enjoy an increased impression of value.



## Illuminated door sills with “Maybach” lettering

With the Mercedes-Maybach door sills you make an exclusive statement. The door sill trims impress at the front and rear with a white illuminated “Maybach” lettering that enhances every step in and out. Practical: The strips are not only beautiful, they also protect against damage.





## Seat belt feeder in the rear

This attentive helper also represents the typical love for every detail in the S-Class: As soon as you have taken a seat on one of the outer rear seats and closed the door, your Mercedes will automatically give you the seat belt. After buckling up, the belt feeder returns to its original position.



## Designer belt buckles front and rear

The designer seat belt buckles give the interior of your Mercedes an exclusive character down to the smallest detail. They are framed in silver chrome and also draw attention to themselves visually. The seat belt buckle lighting pulsates when you buckle up and lights up continuously when standing and at low speed.





Mercedes-Maybach S-Class

# Technology





## Natural Voice Control

“Hey Mercedes.” These two initial words start the natural, intuitive LINGUATRONIC voice control system which comes as standard. It reacts to almost every word. The system can even process indirect speech – the air conditioning will respond, e.g. to “I feel cold” and increase the temperature setting. At the same time the voice control also has learning capability. It attunes itself to your voice and thus understands you better.

## Touch Control Concept

MBUX offers users maximum freedom for controlling all functions in the way most comfortable and convenient to them. Whether using voice control or intuitive touch functions.

The new Mercedes-Maybach S-Class comes with the option of a multimedia touch display. There is also a touchpad integrated in the centre console, which responds to single and multi-finger gestures as well as handwriting. Furthermore, the displays can be controlled using Touch Control buttons on the steering wheel.





## MBUX Navigation Premium

With the MBUX Navigation Premium you can reach your destination quickly and well-informed. You can rely on current map data including satellite view, precise real-time traffic information and fast online route guidance. Last but not least, intelligently networked functions also make your journey safer.



## Extended Functions MBUX

Create an emotional connection - a vehicle becomes your vehicle. Because the extended functions of MBUX adapt to you. Say "Hey Mercedes" and MBUX will wait for your wishes and learn more thanks to the online connection. Personal profiles, forecast functions and a WiFi hotspot completely redefine digital networking.





## Head-Up Display (Available with S 680 4MATIC only)

The best prospects for sporty driving fun and a confident driving experience: the head-up display transforms your windshield into a fascinating digital cockpit. This means that you always have important information at a glance. Your full attention belongs to the road and what is happening in front of you.

## MBUX Interior Assistant

The MBUX interior assistant supports operation by reacting to body language. If hands approach the doors, it interprets this as a wish to exit and warns if a risk of collision is detected. The direction of your head determines which exterior mirror you want to adjust. You can also control light functions with natural hand movements.





## MBUX High-End Rear Seat Entertainment

Let yourself be entertained first-class: That means entertainment via two high-resolution, fully integrated 29cm (11.6 inch) displays. This means that you also have the full MBUX experience in the rear with direct access to vehicle functions.







## OLED Central Display

The 32.5cm (12.8inch) OLED central display transforms your cockpit into a high-tech command center with outstanding dimensions and usable control surface. The excellent color brilliance also enhances the interior design. The haptic feedback improves and facilitates your intuitive inputs while driving.

## Smartphone Integration

The smartphone integration connects the mobile phone wirelessly with the multimedia system via Apple CarPlay™ and Android Auto™. This gives you convenient access to the most important applications on your smartphone. You can also use third-party apps such as Spotify quickly and easily.





## Fingerprint Scanner

With the fingerprint scanner you identify yourself very quickly and comfortably. Because your personal data such as profiles or office and payment functions are protected. If you touch the color-lit button, the system enables access to it. This is secure and, moreover, less distraction than entering a PIN.



## Sound Personalization

A tailor-made listening experience: with the personalization of the sound system, you can easily achieve your perfect sound setup. A setup assistant with an innovative algorithm determines your music preferences together with you and adjusts the Burmester® sound system to your wishes. It saves the result in a personal profile.





**Mercedes me connect allows drivers to stay in touch with their vehicles from anywhere in the world and to obtain assistance at the touch of a button.**

**Mercedes me**

## Vehicle Monitoring

**Vehicle Tracker:** Track your vehicle from anywhere, as your vehicle's GPS coordinates are seen on your phone App.

**Parked Vehicle Locator:** It can locate your parked vehicle within a radius of 1.5 kilometres and show you on a map how to make your way back to the vehicle.

## Navigation Connectivity package

The combination of the standard-fit communication module (LTE) and the hard-disc navigation makes sure that you always reach your destination as quickly as possible by the best route.

## Vehicle Set-Up

**Remote Retrieval of Vehicle Status:** Information on Mercedes me App or the Mercedes me Portal.

**Remote Door Locking and Unlocking:** You can conveniently remotely lock or unlock your vehicle from the Mercedes me App.

**Speed Alert:** Receive an alert if your vehicle exceeds a certain speed.

**Send2Car function:** Send your address to your vehicle via an app.

**Remote Engine Start**

## Mercedes-Benz emergency call system

The Mercedes-Benz emergency call system can save you vital minutes in an emergency. If an accident is detected, a communications module with its own SIM card automatically triggers an emergency call which could shorten the time until rescue services arrive.

Please note that certain services are offered free of cost for a period of three (03) years and may be chargeable at the expiry of three (03) years from the date of activation of such services. If you wish to continue using those services, you may renew the same through Mercedes Me Store (as and when it is available). Please get in touch with your preferred Franchise Partner for more details.



# Mercedes me

## Vehicle Finder (enables horn and light flashing)

Find your vehicle in large parking lots with ease. Simply blow the horn or flash the headlamps through the app to locate your vehicle

## Mercedes me Service app: Your digital assistant

Keep a tab on your Star's maintenance with ease. Get timely maintenance and service reminders. Book a service appointment and search for nearest showrooms with a single touch.

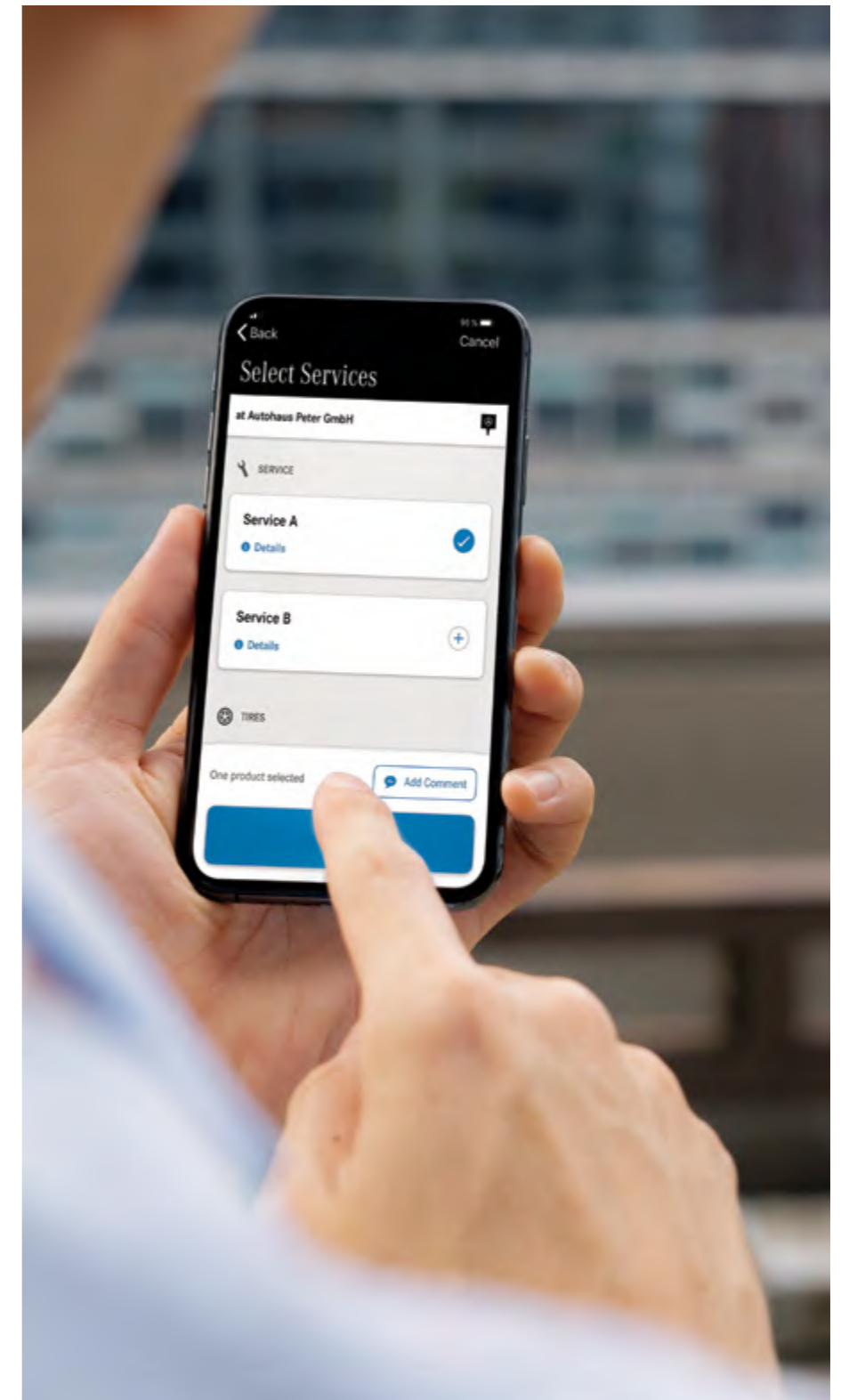
What's more, access expert tips to keep your Star in its best shape with car care videos.

## Geo-fencing

Set a perimeter for the car movement and receive notifications in case of vehicle movement beyond the parameter. Hence the feature enables easy monitoring when vehicle is being driven by others.

## Windows/sunroof open close from App

Open/Close the windows and sunroof of your Mercedes-Benz remotely through the app. This enables better ventilation before you get into the car.





# Mercedes me

## New Mercedes me connect feature: Car-to-X Communication

**Drive with foresight and safely thanks to networked information.** Sometimes, when driving, an uneven surface suddenly appears behind a curve and you can barely prevent a jerk. Everyone has probably already experienced confusing situations of this kind - a great risk in road traffic. Thanks to Car-to-X Communication, you can see such dangers coming and react in good time. Vehicles equipped with the technology communicate with each other, so that on the one hand information is transmitted to your vehicle and on the other hand you also inform other drivers yourself. You will be warned by marking on the navigation map and, if necessary, by an announcement. In this way you will reach your destination safely - without nasty surprises.

Please note that certain services are offered free of cost for a period of three (03) years and may be chargeable at the expiry of three (03) years from the date of activation of such services. If you wish to continue using those services, you may renew the same through Mercedes Me Store (as and when it is available). Please get in touch with your preferred Franchise Partner for more details.





# Mercedes me

## Additional Mercedes me connect features

### Alexa Home Integration with Mercedes me

**connect:** Conversations with Alexa are now more fun when the systems connect with your Mercedes Benz via cloud and give you real time updates. This feature can be used from an Alexa Echo device setup at home, office or also from phone's Alexa App. The command starts with "Alexa, Ask Mercedes to...." or directly initiate a command by saying "Alexa, tell Mercedes to <command>".

**Google Home integration with Mercedes me connect:** Google Home integration is also offered for Google home users. In a similar way, once the Mercedes me connect is linked to Google Home, you can start issuing commands.

**Parking location POIs (Points of Interest):** The introduction of new Parking solution, shows Parking lots available across different parts of the cities. The Parking POIs (Points of interest) can be seen easily on the navigation system or alternatively also on the Mercedes me App maps section.

Please note that certain services are offered free of cost for a period of three (03) years and may be chargeable at the expiry of three (03) years from the date of activation of such services. If you wish to continue using those services, you may renew the same through Mercedes Me Store (as and when it is available). Please get in touch with your preferred Franchise Partner for more details.







Mercedes-Maybach S-Class

# Safety

## Driving Assistance package

**Active Blind Spot Assist** expanded with blind spot monitoring towards the front and side. Additional hazard indication of the blind spot warning system as well as the exit warning function via the ambient lighting

**Active Braking Assist with cross-traffic function** now with turning manoeuvre function [responding to (among other things) crossing pedestrians when making a turn]. Operating range on urban routes expanded to 74 kmph (previously 44 kmph)

**Active Distance Assist DISTRONIC** now responds to stationary road users to prevent collisions up to 80 mph (previously 37 mph)

**Active Emergency Stop Assist:** now able to assist in manual mode (previously on in DISTRONIC mode). Optional lane change by one lane (at 49 mph where no obstacles detected)

**Active Evasive Steering Assist:** now responds to cyclists and ends of tailbacks in addition to pedestrians. Operating range on urban routes expanded to 67 mph (previously 44 mph)

**Active Lane Change Assist** aids the driver with changing lanes by means of steering torque as soon as the driver initiates the change by activating the direction indicator

**Active Lane Keeping Assist** with enhanced comfort thanks to active steering intervention (instead of braking intervention). Additionally hazard indication via the ambient lighting

**Active Speed Limit Assist** ensures detected speed limits are automatically adopted as the set speed for Active Distance Assist DISTRONIC

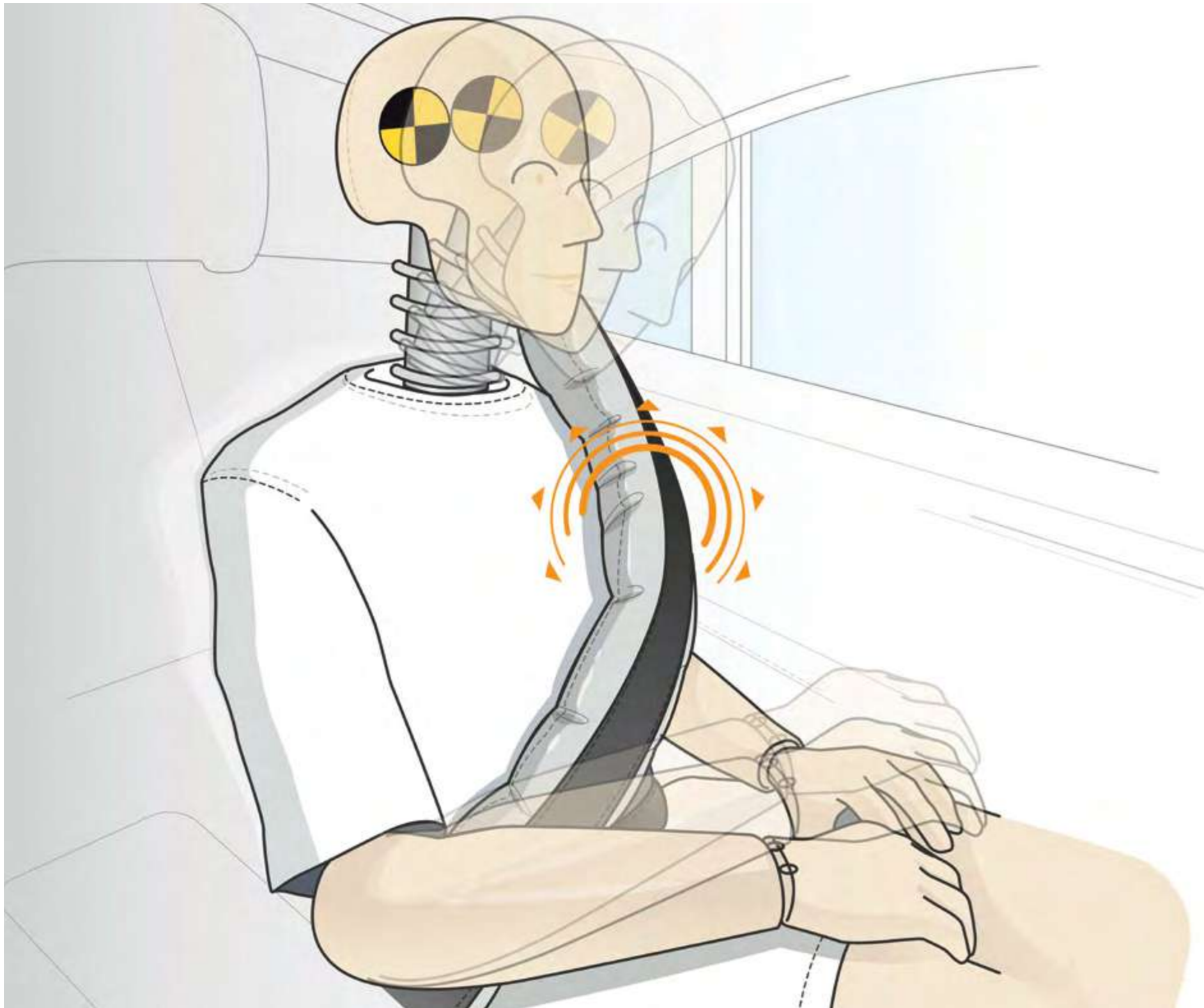
Increased availability and cornering performance on carriageways with **Active Steering Assist**, more stern warnings to place hands on the steering wheel with new capacitive steering wheel

**PRE-SAFER PLUS and Impulse Side:** when a rear-end collision threatens, PRE-SAFER PLUS can initiate preventive measures, including warning following traffic and locking the brakes on standstill

**Route-based speed adjustment with end of traffic jam function** and Active Stop-and-go function adaption of speed before curves, roundabouts and junctions with end of traffic jam function





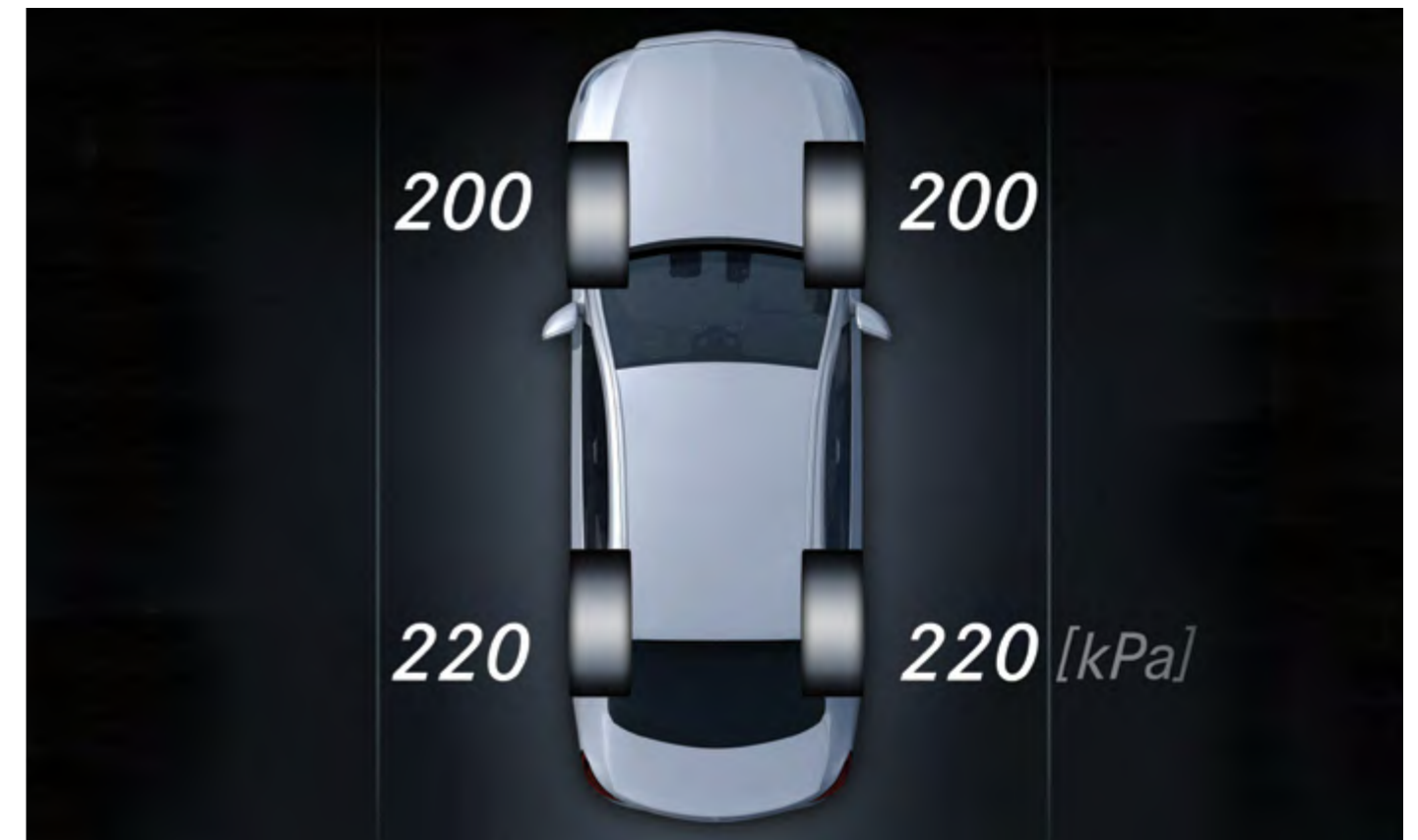


## Beltbag

Thanks to the beltbags, passengers in the outer rear seats are particularly well protected in the event of a severe frontal collision. When triggered, the inflatable belt straps widen their contact area in the chest and shoulder area almost three times. This can reduce the stress on the occupant's chest.

## Parking package with 360° camera

Exclusive parking service with all-round visibility: Active Parking Assist with PARKTRONIC and 360 ° camera detects free parking spaces and marked parking spaces as you drive past. Once you have selected a parking space, you can park confidently thanks to dynamic visualization and acoustic feedback - or you can park with assistance.



## Tire pressure monitoring system

The system monitors the tire pressure for you and provides you with a warning in the event of a drop in pressure. This way you can react more quickly to this hazardous situation. Too low a tire pressure can also result in longer braking distances. When the control system notifies you, you should top up the air quickly. Additionally, correct tire pressure increases mileage.





## Sidebags in the rear

The side airbags in the rear protect the chest area on the outer rear seats in the event of a severe side impact. Together with the standard windowbags, this gives you the best possible safety potential to reduce or lessen injuries. To do this, the air cushions slide between the door side and the passenger.

## Rear airbag

Innovative air cushions make your rear seat even safer. The rear airbags are integrated into the backrests of the front seats and are triggered in the event of a severe frontal collision. They unfold gently and protect outside passengers with their seat belts from coming into contact with the front seats. Stress on the head and neck can thus be significantly reduced.



## Upholstery



Maybach Exclusive nappa leather black



Maybach Exclusive nappa leather sienna brown / black



Maybach Exclusive nappa leather macchiato beige / bronze brown pearl



## Trim



**Black / silver metallic mixed fabric trim**  
(Available with S 580 4MATIC)



**High-gloss brown burr walnut wood trim**  
(Available with S 680 4MATIC)

**Emerald Green**



**Nautic Blue**



**designo Diamond White Bright**



**Onyx Black**





**Obsidian Black**

Available with S 680 4MATIC only.



**Mojave Silver**

Available with S 680 4MATIC only.



**Graphite Grey**

Available with S 680 4MATIC only.





## Alloy

48.3 cm (19 inch) Maybach light-alloy wheels in 5-hole design





Mercedes-Maybach S-Class

# MANUFAKTUR





## First-Class Fond

In the first-class rear you travel as comfortably as in a private jet. The business center console is optically and functionally an asset for the rear passengers.

- Continuous business center console in the rear with black glass-look trim
- Sweeping, flowing trim that merges into the center console behind the rear seats with the exclusive Mercedes-Maybach logo and an integrated storage compartment below the electrically operated cover in the front area of the business center console:
  - 2-way temperature controlled cup holders
  - Control elements of the THERMOTRONIC automatic climate control in the rear
  - Additional storage compartment
- Armrest with shelf for MBUX rear tablet
- Extensive integration into the ambient lighting, for example with storage compartment lighting and functional lighting in red / blue (warm / cold) for the cup holders
- Optionally selectable:
  - Cooling compartment, optionally with champagne goblets and goblet holders in the storage compartment of the business center console
  - HDMI connections under the armrest with MBUX high-end rear entertainment
  - 230 V socket in the rear under the armrest with MBUX high-end rear entertainment



## Folding tables in the rear

Create an office on wheels with two desks in the back. Two folding tables transform the business console of the first-class fund into a comfortable work surface in no time at all. The storage areas offer space for a notebook or documents. In keeping with the noble environment, they are covered with high-quality leather in the respective equipment color.



## MANUFAKTUR backrest cover

A truly noble sight: The MANUFAKTUR backrest trim decorates the back of the driver and front passenger seats with the finest decorative elements. Together with the extended ambient lighting and the decorative elements in the rear, it completes the luxurious lounge ambience - a high-quality visual experience tailored to your taste.



## 3D driver display

Keep your eye on the important things in the 3D driver display. The three-dimensional warnings and functions of the driving assistance systems are immediately noticeable with their striking 3D and shaded effects. Another trailblazing effect is the fascinating 3D image of cars, trucks, buses or motorcycles ahead of your vehicle.

## Multifunction steering wheel in nappa leather

The multifunction steering wheel in nappa leather combines fine materials with innovative ease of operation. Via touch control panels you can operate the most important vehicle functions without having to take your hands off the steering wheel. The exclusive look is also underscored by the “Maybach” lettering.



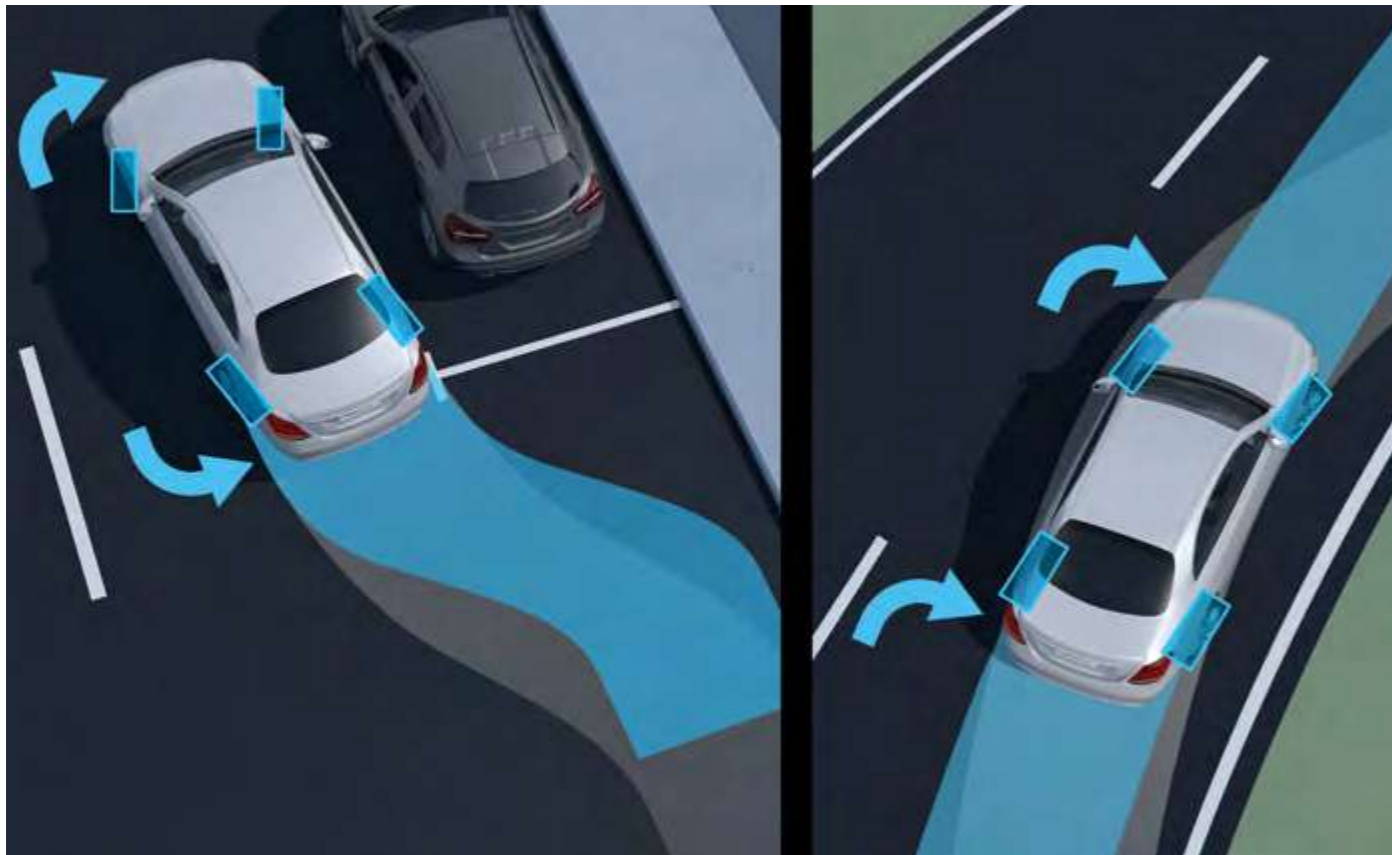


## USB Package Plus

Fast power supply for smartphones and tablets: With four additional USB-C interfaces, you and your passengers can easily charge mobile devices. All USB connections in the vehicle can also be charged quickly. You can also import data such as your stored music into the multimedia system via devices connected to the front.



**Center console, metal-mixed fabric look, black / silver**



## Rear-axle steering

The rear-axle steering with steering angle adjustment of 4.5/10 degree offers three key advantages: even more superior roadholding, significantly enhanced agility and, last but not least, better maneuverability - such as when parking. For this, the rear wheels steer in the opposite or the same direction as the front wheels depending on the vehicle speed.

\*Please read the disclaimer

## URBAN GUARD vehicle protection Plus

URBAN GUARD Plus vehicle protection offers all-round monitoring of the vehicle's environment. Thanks to the break-in and theft alarm system, as well as emergency key deactivation, you are able to react quickly. On the road, the collision detection notifies you via the app. And the Vehicle Theft Assistance service increases the chance of recovering your property if you vehicle is stolen.





## Alloy

50.8 cm (20-inch) Maybach 5-hole forged wheels, with a high-gloss polished ceramic finish including fully integrated wheel bolt cover



## MANUFAKTUR Trim



MANUFAKTUR brown open-pore walnut wood trim with aluminum lines



MANUFAKTUR black piano lacquer trim with flowing lines



## MANUFAKTUR Trim



**Anthracite open-pore poplar wood trim**



**High-gloss black poplar wood trim**

## MANUFAKTUR Paintwork



designo Kalahari Gold Metallic



designo Cashmere White Magno



designo Patagonia Red Bright



designo Selenite Grey Magno

\*Please read the disclaimer



## MANUFAKTUR Two-tone Paintwork



designo Diamond White Bright / Obsidian Black



Mojave Silver / Onyx Black



High-tech Silver / Selenite Grey



Nautic Blue / High-tech Silver

## MANUFAKTUR Two-tone Paintwork



Obsidian Black / High-tech Silver



Obsidian Black / Selenite Grey



Obsidian Black / Rubellite Red



Onyx Black / designo Kalahari Gold Metallic

\*Please read the disclaimer



## MANUFAKTUR Two-tone Paintwork



Rubellite Red / designo Kalahari Gold Metallic



Emerald Green / Mojave Silver

## Exteriors

	S 580 4MATIC	S 680 4MATIC
Panoramic sunroof	●	●
Air intake grille in the front apron in high-gloss black	●	
KEYLESS-GO with flush door handles	●	●
DIGITAL LIGHT	●	●

● Standard □ designo

## Safety

Driving Assistance package	●	●
Parking package with 360° camera	●	●
Pedestrian protection with active bonnet - more protection for pedestrians	●	●
Sidebags in the rear	●	●
Rear airbag	●	●
PRE-SAFE® impulse	●	●
Rear-axle steering		□
URBAN GUARD vehicle protection Plus		□
Beltbag	●	●

● Standard □ designo

## Technology

	S 580 4MATIC	S 680 4MATIC
MBUX	●	●
MBUX Navigation Premium	●	●
Extended functions MBUX	●	●
Head-up display		●
MBUX interior assistant	●	●
MBUX high-end rear seat entertainment	●	●
OLED central display	●	●
Smartphone Integration	●	●
Fingerprint Scanner	●	●
Sound Personalization	●	●
Mercedes me	●	●

● Standard □ designo



## Interiors

	<i>S 580 4MATIC</i>	<i>S 680 4MATIC</i>
Magic Vision Control	●	●
Executive Seats	●	●
Multicontour seats in the rear	●	●
Calf massage in the rear	●	●
Memory package in front and rear	●	●
Electrically adjustable rear and front seats including memory function	●	●
Chauffeur package	●	●
Exclusive package	●	●
AIR-BALANCE package	●	●
ENERGIZING package	●	□
ENERGIZING AIR CONTROL	●	●
EASY ADJUST comfort headrest for driver and front passenger	●	●
MANUFAKTUR backrest cover		□
First-Class Fond		□
Folding tables in the rear		□
Seat air conditioning	●	●
Automatic climate control THERMOTRONIC	●	●
Seat heating plus for driver and front passenger	●	●
Seat heating plus in the rear	●	●
Multifunction steering wheel in wood-leather design	●	●

● Standard □ designo

## Interiors

	<i>S 580 4MATIC</i>	<i>S 680 4MATIC</i>
Multifunction steering wheel in nappa leather		□
3D driver display		□
Burmester® high-end 4D surround sound system	●	□
Active ambient lighting	●	□
Adaptive rear lighting	●	●
Wireless charging system for mobile devices front and rear	●	●
USB Package Plus		□
Decorative element package Exclusive	●	●
Comfort doors in the rear	●	□
HANDS-FREE ACCESS	●	●
Servo closing	●	●
Floor mats deep pile	●	●
Sun protection package	●	●
Electric sun blinds in the rear doors on the left and right	●	●
Double sun visor	●	●
Cargo space package	●	●
Remote trunk lid lock	●	●
Illuminated door sills with “Maybach” lettering	●	●
Designer belt buckles front and rear	●	●
Seat belt feeder in the rear	●	□

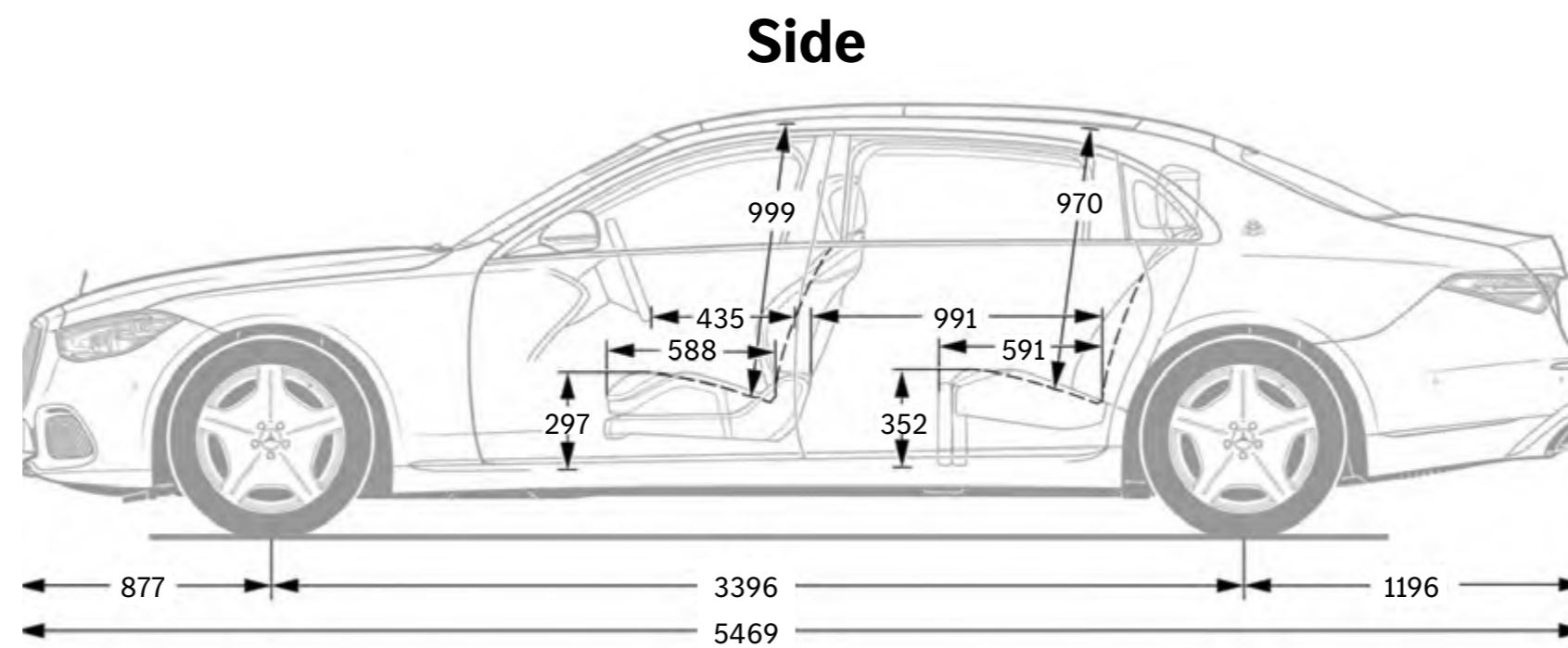
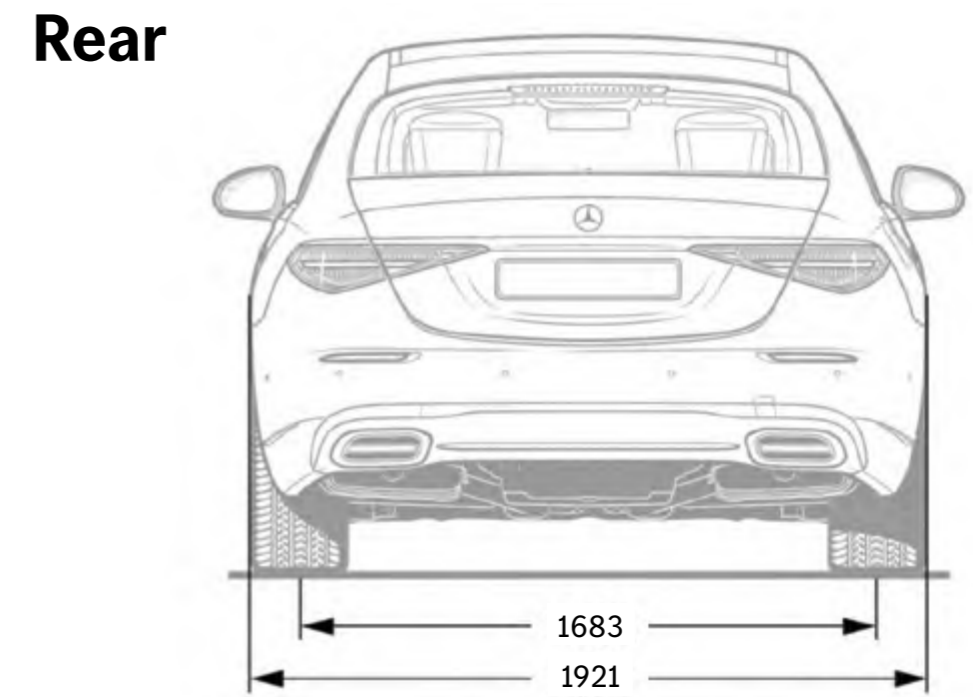
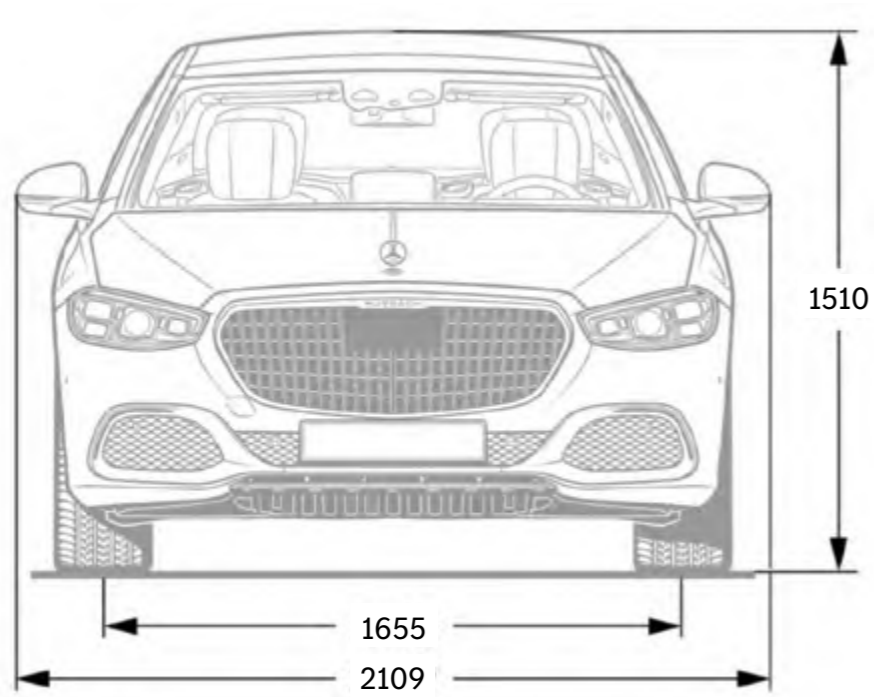
● Standard □ designo


**Mercedes-Maybach S 580 4MATIC**

**Mercedes-Maybach S 680 4MATIC**

<b>No. of cylinders/arrangement</b>	V8	V12
<b>Total displacement in cc</b>	3982	5980
<b>Rated output in kW (hp) at rpm</b>	370 [503] @ 5500 - 5500	450 [612] @ 5250 - 5500
<b>Rated torque in Nm at rpm</b>	700/2000 - 4500	900/2000 - 4000
<b>Transmission</b>	9-Speed Automatic	9-Speed Automatic
<b>Acceleration from 0 to 100 km/h in sec</b>	4.8	4.5
<b>Top speed, approx. in km/h</b>	250	250







**My Mercedes. My Service**

## Advance Assurance Program

### Extending your warranty coverage

With Advance Assurance Program, experience complete peace of mind. While this Extended Warranty Program kicks in the moment your standard 3 years warranty comes to an end, it can be extended further up to 6 years at a nominal price. Also, it comes with a bouquet of privileges for a worry-free time with your Star.

## STAR EASE

### Delivering the best-in-class value

Servicing your Star does not get any better than this. With the STAR Ease Maintenance Packages, pay a defined cost of maintenance based on the model, contract period and mileage and say goodbye to spending on service every time. Plus, enjoy exclusive features like priority handling, shorter waiting time and quicker processes.



## My Mercedes. My Service

### MOBILO

#### Providing you 24x7 mobility support

Your vehicle comes with Mobilo which provides round-the-clock on-road assistance service. Mobilo comes as a standard for 3 years and can be extended further up to 8 years at a nominal cost. This service offers privileges like vehicle towing facility, replacement vehicle, hotel accommodation, just to name a few.

### Digital Service Drive

#### Ensuring convenience and transparency of service.

Servicing your Star is the last thing you will ever have to worry about. We provide transparent, convenient and hassle-free service. Our customer-friendly service features work around your busy schedule so that you have one less thing to focus upon.







**My Mercedes. My Service**

## Mercedes-Benz Genuine Parts

### Now with 2 years\* of warranty

Mercedes-Benz Genuine Parts are crafted to the state-of-the-art standards of Mercedes-Benz, protecting your vehicle's performance while maintaining the style, comfort and safety, for the years to come. Also, they come with a warranty of up to 2 years, ensuring you a peaceful ownership experience with your Star.

## Premier Express\*

### Because we value your time as much as you do.

Life gets busy and so we have designed Premier Express, our vehicle care service to help you get in and out quickly. While the visit will be brief, the service offered by our technicians will be comprehensive and complete. All to ensure your Mercedes-Benz is running for miles to come.



## My Mercedes. My Service

### Mercedes-Benz Approved Tyres and Rims

#### Ensuring every ride is a safe and joyful one

Maximise the safety and comfort of your Star with Mercedes-Benz approved tyres and rims. While the Mercedes-Benz approved tyres are designed to optimally match your car's performance, the Mercedes-Benz approved rims are designed to lend an exceptional style to the exterior of your Star and are also engineered for optimal performance.

### Mercedes-Benz Genuine Chemical Products

#### Because your Star deserves nothing but the original

Mercedes-Benz Genuine Chemical Products are specially tested for compatibility with the materials in our cars and meet the high quality standards. Also, our products have been approved under Mercedes-Benz Group AG's strict, self-imposed environmental norms. Now with Mercedes-Benz Genuine Chemical Products, experience a whole new world of superior products that support throughout the car's life cycle.





Mercedes-Benz India Private Limited: E-3, MIDC Chakan - Phase III, Chakan Industrial Area, Kuruli & Nighoje, Tal: Khed, Pune - 410 501 (India) Toll free No.: 0008000501888. e-mail: cs.ind@cac.mercedes-benz.com, website: www.mercedes-benz.co.in Please note: This brochure is intended for general information, description and illustration of the Product including optional functions and equipment and may not be specific to a Product since specification of a product may change from time to time. Optional features, functions and equipment etc. may not be present in the Standard or Variant Product or Special Edition Product. Further, Standard specifications of a product may also vary from time to time. Colours may differ from those shown in pictures in the brochure. Mercedes-Benz India reserves the right to make changes without prior notice, in design, colours, materials, components, equipment, specifications, features, functions, make and models etc. The information given in this brochure shall be regarded as accurate at the time of launch and may vary thereafter due to any developments or any other reason. Interested customers should reach out to the Authorised Franchise Partner for further information on the exact specifications, features of the product.

Images shown are for representation purposes only. Some of the vehicles in the Brochure are left hand drive wheel. However, Mercedes-Benz India only manufactures and sells vehicles as per the applicable motor vehicle regulations in India. All vehicles sold by Mercedes-Benz Authorized Franchise Partners shall be with right hand drive wheels only. All title, ownership rights and intellectual property rights in and relating to this brochure/magazine or publication material or any copies thereof including but not limited to copyright, logos, names, trademarks, service marks, design, text, images, links, concepts and themes are owned by Mercedes-Benz Group AG and/or its subsidiaries collectively or used under authorised license by the Mercedes-Benz Group AG. Any reproduction, transmission, publication, performance, broadcast, alteration, license, creation of derivative works or other use in whole or in part in any manner without the prior written consent of Mercedes-Benz India Pvt. Ltd is strictly prohibited. Please note that certain services are offered free of cost for a period of three (03) years and may be chargeable at the expiry of three (03) years from the date of activation of such services. If you wish to continue using those services, you may renew the same through Mercedes Me Store (as and when it is available). Please get in touch with your preferred Franchise Partner for more details. Mercedes-Benz cars: The S-Class meets Bharat Stage VI equivalent emission norms.  
CIN - U34102PN1994PTC083160