

# The all-new Mercedes-Benz GLA.



Mercedes-Benz





## Designed for the wilderness. Enjoyed in the city.

As much on the go as you. The new GLA is the ultimate companion for a busy and varied life.



## Sporty from every perspective.

The all-new Mercedes-Benz GLA – expressive design meets innovative, pioneering technology. On the outside, typical off-road features lend the SUV an unmistakable character and add a sense of dynamism and elegance.



For the concrete jungle. And the wild outdoors.

**GLA 200**

**GLA 220d**

**GLA 220d 4MATIC**

## Progressive Line. Exterior *(with GLA 200 and GLA 220d)*

The Progressive Line substantially enhances your car. Enjoy high-quality technology and experience the unique, expressive SUV lifestyle.

### Progressive bodystyling consisting of:

- Radiator grille with single louvre painted in a silver colour and chrome insert
- Simulated underguard at front and rear in high-gloss chrome
- Door trim in grained black with chrome-plated trim element
- Visible tailpipe trim elements chrome-plated waistline and window line trim strips



## AMG Line. Exterior *(with GLA 220d 4MATIC)*

The AMG Line enhances the attractive, sporty presence of your vehicle.

### AMG bodystyling consisting of:

- AMG front apron with front splitter in chrome
- AMG rear apron in a diffuser look and trim element in chrome plus two visible, sportily designed tailpipe trim elements
- Diamond radiator grille with chrome pins
- Side panels in grained black with chrome-plated insert
- Chrome-plated waistline and window line trim strips



## Panoramic sliding sunroof

Whether open or closed, with the panoramic sliding sunroof, you experience a wonderful feeling of freedom and enjoy a pleasantly bright ambience in the interior. When viewed from the outside, the large sliding sunroof makes a unique visual impression, as it lends lightness and exclusivity to the exterior.

## Polished aluminium roof rails

The roof rails serve as a transport option "on top": here you can conveniently and securely fit a host of different roof rack systems. Thanks to their high-quality polished aluminium finish, in addition to being practical they are also certainly a design feature.



## LED High Performance headlamps

The LED High Performance headlamps provide more safety at night and an unmistakable, distinctive look. LED technology illuminates the road ahead better than conventional headlamps – and it uses less energy.

The pleasant light colour is easy on the eyes. This is because the evenly bright, warm white light of the LED High Performance headlamps is closer to the colour temperature of daylight than that of halogen headlamps.



## Tail Lights

The all-LED Adaptive Tail lights in a two-piece design emphasise the broad rear and at the same time enable a wide boot loading aperture.





## Alloys

45.7 cm (18-inch) 5-twin-spoke light-alloy wheels. *(with GLA 200 and GLA 220d)*

Aerodynamically optimised and painted in Black with a high-sheen finish.



48.3 cm (19-inch) AMG 5-twin-spoke light-alloy wheels. *(with GLA 220d 4MATIC)*

Aerodynamically optimised and painted in Tantalite Grey with a high-sheen finish.



## EASY-PACK tailgate

Extremely practical: the EASY-PACK tailgate can be opened and closed electrically and makes loading and unloading the boot even more convenient. You can start the opening and closing process very conveniently at the press of a button and interrupt it at any time by pressing the button again. You can also press the button on your vehicle key from a

distance so that the tailgate is open by the time you get to the vehicle. In addition there is also the classic option of using a switch in the driver's door or the release handle directly in the tailgate.





## Turns every zone into a comfort zone.

The all-new Mercedes-Benz GLA is equipped with everything that makes your drive even more pleasant. The interior combines a sense of space with sportiness and top-quality materials.

At the same time, the new SUV is more functional than ever before and always adapts to your needs.

## Multifunction sports steering wheel in Nappa leather

The elegant leather lining gives the multifunction sports steering wheel a high quality look. It makes it a highlight of the interior. And as the motorist you enjoy a double benefit: what looks good also feels good.

Perfect vehicle control: the steering wheel sets the course, and not just on the road surface. It connects you with the vehicle and becomes a control centre. The Touch Control buttons on the left and right operate various navigation, telephony and entertainment functions. Last but not the least, they set the speed/proximity control: everything under control without taking your hands off the steering wheel.

Multifunction sports steering wheel *(with GLA 200 and GLA 220d)*



Flat bottom Multifunction sports steering wheel *(with GLA 220d 4MATIC)*



## All-digital instrument cluster display

You experience the entire range of digital display possibilities. The large, high-resolution 10.25-inch (26.03 cm) display is individually configured by you – for example in the classic form, with the speedometer on the left and the rev counter on the right. Visually impressive and easy to read: travel and driving assistance information is superimposed using the full display area.



## Media display

The large, 10.25 inches (26.03 cm) high-resolution media display is touch-sensitive. Symbols make operation easier and improve concentration. Highly appealing combination: when the media display is combined with the larger instrument display, the result is a Widescreen cockpit.



## Ambient lighting in 64 colours

Showcase the interior according to your personal preferences or current mood. The 64 colours of the ambient lighting create fascinating colour schemes, in the illuminated air vents, doors or the dashboard.

When you adjust the air conditioning, feedback is provided in colour. This makes even more of an impression – on all passengers.

## THERMOTRONIC automatic climate control

The THERMOTRONIC controls the individual temperature in 2 zones. The passengers can thus set their preferred climate independently of one another. And you never have to readjust, because the sensitive sensors even register changes in conditions, such as sunlight.

The activated charcoal filter works very efficiently, along with the particulate matter, it also eliminates harmful substances and unpleasant odours.

Dew point sensor prevents windows from misting up and ensures energy-efficient climate control and the rear centre vents improves climate comfort in the rear.



## Electrically adjustable front seats with Memory Function and Lumbar support

The Memory function stores the ideal position of the driver's and passenger seats and the exterior mirror. Up to 3 people can therefore immediately access their appropriate settings at the press of a button – which makes changing car-user uncomplicated and convenient.

For an ergonomic seating position and relaxed back muscles. The 4-way lumbar support is a small detail which has a big impact. It adapts the seat contour to your lumbar spine and gives it support. Four settings are possible: higher, lower, weaker or stronger.



## Touchpad

Using the touchpad, you can operate the display of the infotainment system as you would a smartphone. Move or enlarge the content quite simply with single gestures. Each input is confirmed with haptic feedback. The touchpad recognises your handwriting should you wish to enter addresses or phone numbers.

It also gives you direct access to key functions at any time. For example, for the DYNAMIC SELECT drive modes, vehicle functions, navigation or telephone functions.





## Light and Sight package

More light sources for good orientation – and they look good too: for example, transparent lenses in the overhead control panel create a three-dimensional crystal effect. The vanity mirror in the sunblind is illuminated for a quick glance or when putting on make-up.

Features:

- Overhead control panel, "4 light stones"
- Interior lamp/reading lamp in rear in support plate (rear/left/right)
- Touchpad illumination
- Reading lamps (front/left/right), console downlighter
- Vanity lights (front/left/right)
- Signal and ambient lamp
- Signal exit lamp (front/left/right)
- Footwell lighting (front/left/right)
- Cup holder/stowage compartment lighting
- Oddments tray lighting



## Smartphone Integration

Smartphone Integration links the mobile phone with the media system via Apple CarPlay™ or Android Auto®. This gives you convenient access to the most important apps on your smartphone. You can also use apps from third-party providers such as Spotify quickly and easily.

The available displays of the smartphone are optimised for the media display's interface and are even more clearly arranged. You can submit your requests via the voice assistant in the car too.

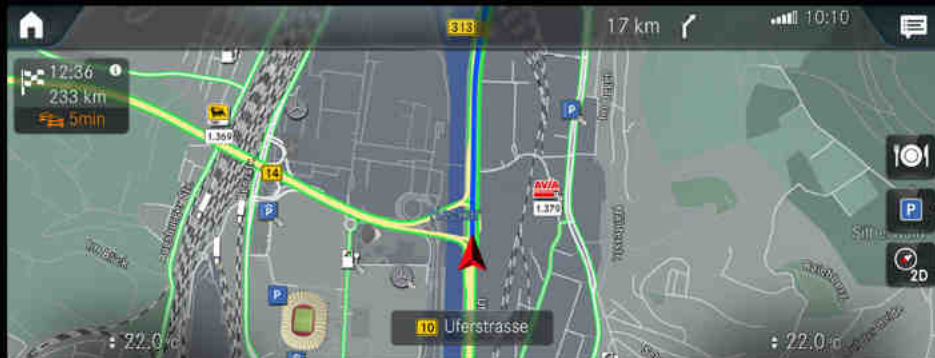


# Navigation

**Hard-disc Navigation:** Save time through fast hard-disc navigation with flexible inputs via touch control or voice input. The intelligent system guides you reliably to your destination using both local and up-to-date online data.

You can enter the data as you wish – on the touchscreen, or using the touchpad, the touch control buttons or LINGUATRONIC. The system even understands you when you use common speech. Say "Hello Mercedes, take me to..." and specify a desired location. Another special feature is "what3words". This innovative coordinates system determines every single point on earth with exactly three words.

**Live Traffic Information:** It receives traffic information in real time which is more precise and up-to-date than conventional systems and optimises dynamic route guidance. The data is updated every two minutes over a mobile phone connection. Sending the vehicle's location along with requests for traffic information ensures that the traffic information sent to your vehicle is the relevant information required for calculating your route and arrival time.



*\*service usable free of charge for 3 years from activation, also available as an on-demand feature*

## Floor mats

### Velour floor mats *(with GLA 200 and GLA 220d)*

The floor mats in high-quality velour enhance the interior. They are finished in black and feature elegant topstitching in the respective appointments colour. Naturally, they also have a very practical use. They protect the footwell against dirt and can be removed easily to be hoovered or cleaned.

### AMG floor mats *(with GLA 220d 4MATIC)*

The AMG floor mats supplement the sporty overall impression of your vehicle. They are finished in hard-wearing black velour, protect the footwell against dirt and are easy to clean. Details such as the "AMG" lettering reinforce the effect.



## Stowage compartment in front centre console and Retractable Cover with Double cup holder

The cover for the stowage compartment in the centre console offers you elegant protection from prying eyes in a high-quality material. This looks good, the interior appears even tidier, and everything important is to hand. The practical stowage compartment can house typical everyday items such as a smartphone, wallet or various keys.

You can always have a refreshing drink within reach. This is made possible by the double cup holder in the centre console. You can safely deposit two bottles or mugs in it.



## Wireless charging

Driving time becomes charging time – just drop your smartphone into its allotted place in the oddments tray for wireless charging. Irrespective of the model and brand, compatible smartphones are charged wirelessly.

Features:

- Wireless charging for compatible mobile phones according to the Qi standard
- Quick establishment of connection between the multimedia system and mobile phone via Near Field Communication (NFC) for mobile device identification



## Seats

### Comfort Seats *(with GLA 200 and GLA 220d)*

The comfort seats ensure good long-distance comfort and are extensively adjustable for length and height. You are also able to change the angle of the seat surface, and even lengthen it.



### Sports Seats *(with GLA 220d 4MATIC)*

The optimum combination of sport and comfort: the sports seats optimise lateral support for dynamic driving and at the same time provide unrestricted comfort for everyday use.



## Upholstery

- ARTICO man-made leather – Black  
*(with GLA 200 and GLA 220d)*

- ARTICO man-made leather -  
Macchiato Beige  
*(with GLA 200 and GLA 220d)*

- ARTICO man-made leather / DINAMICA  
microfibre - Black, with topstitching in Red  
*(with GLA 220d 4MATIC)*





## Trim

These trims lend your interior an individual look. They blend in harmoniously while also creating exciting contrasts. As such, they reinforce and underscore the interior design. At the same time the trim is a continually discernible sign of the quality of a meticulously finished premium product.

Brown open-pore walnut wood *(with GLA 200 and GLA 220d)*



Light longitudinal-grain aluminum *(with GLA 220d 4MATIC)*



# Nice to meet you.

You can talk to MBUX any time: the multimedia system from Mercedes-Benz is innovative, intuitive and intelligent. And it connects you with your digital world.

## MBUX touch control concept

So absorbing that it's hard to leave alone. The sophisticated MBUX touch control concept lets you determine exactly what it shows you and how you control it. As intuitively as on a smartphone. Either with the new touchpad with haptic feedback, or by using the Touch Control buttons on the new steering wheel, or on the touchscreen. The choice is yours.

## MBUX voice control

It's always best to talk. The MBUX (Mercedes-Benz User Experience) infotainment system with intuitive voice control is optionally available for the new GLA. It understands what you say and obeys your commands using natural speech recognition. It takes only two words: "Hey Mercedes." And the new GLA is all ears.

# Mercedes me CONNECT.

Always stay connected.

## Smartphone App Functionality

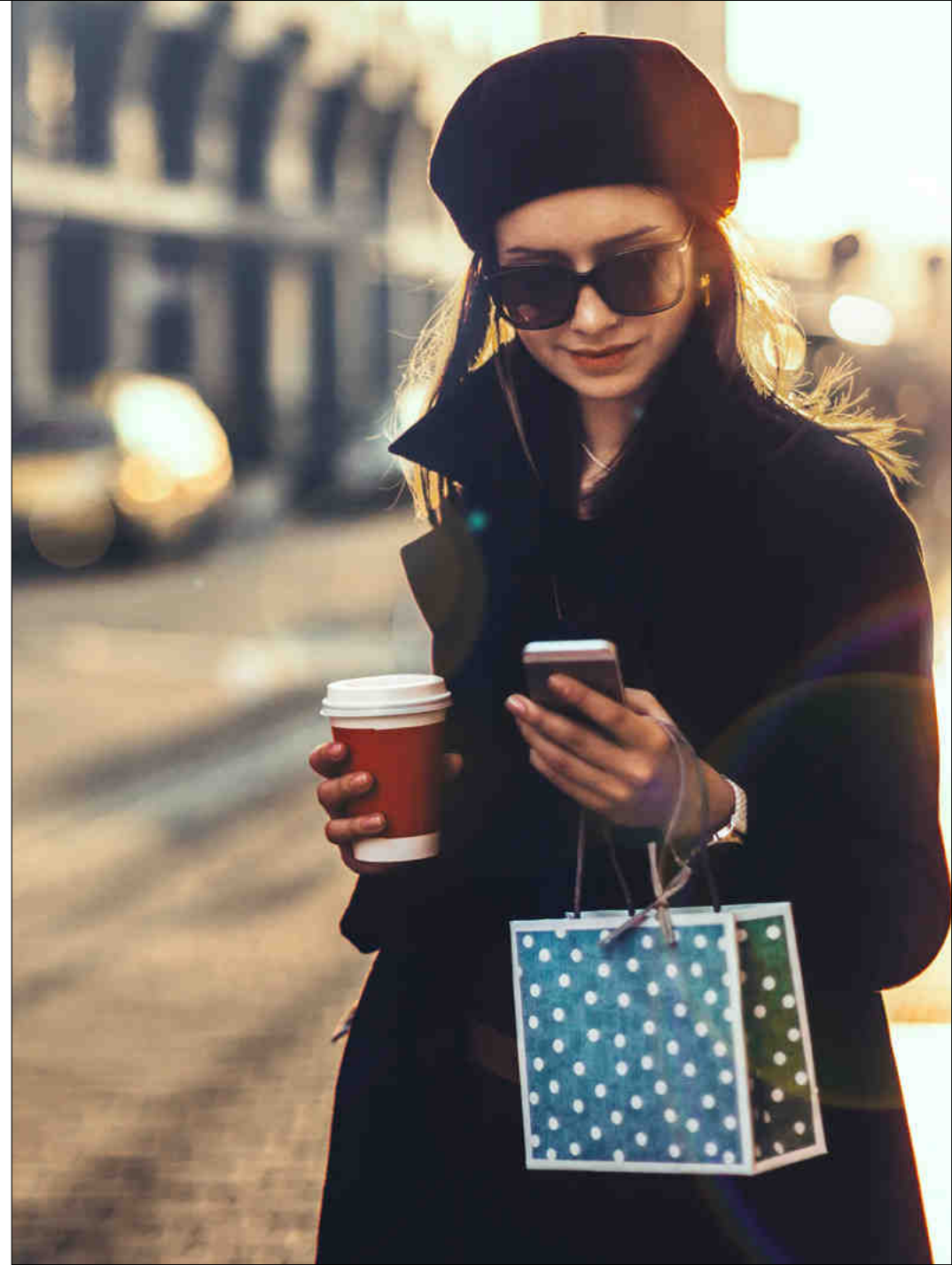
MMC App functionality, Vehicle Health, Vehicle Status Check, Location, Remote lock-unlock, Geo-fencing, etc.

## In-Car Functionality

E-call, MeCall (assistance), Weather Check, Online Search, Hey Mercedes! (MBUX)

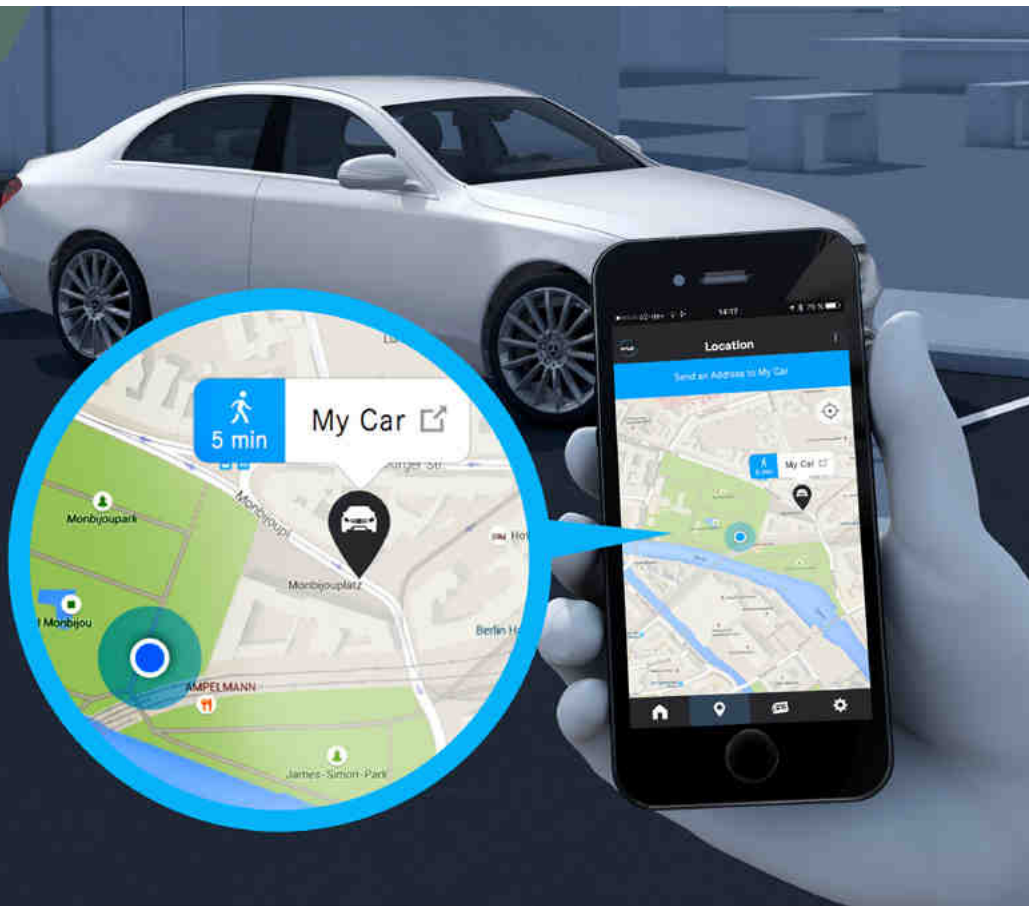
## Home Functionality

Voice Assistance - Alexa & Google Home Integration



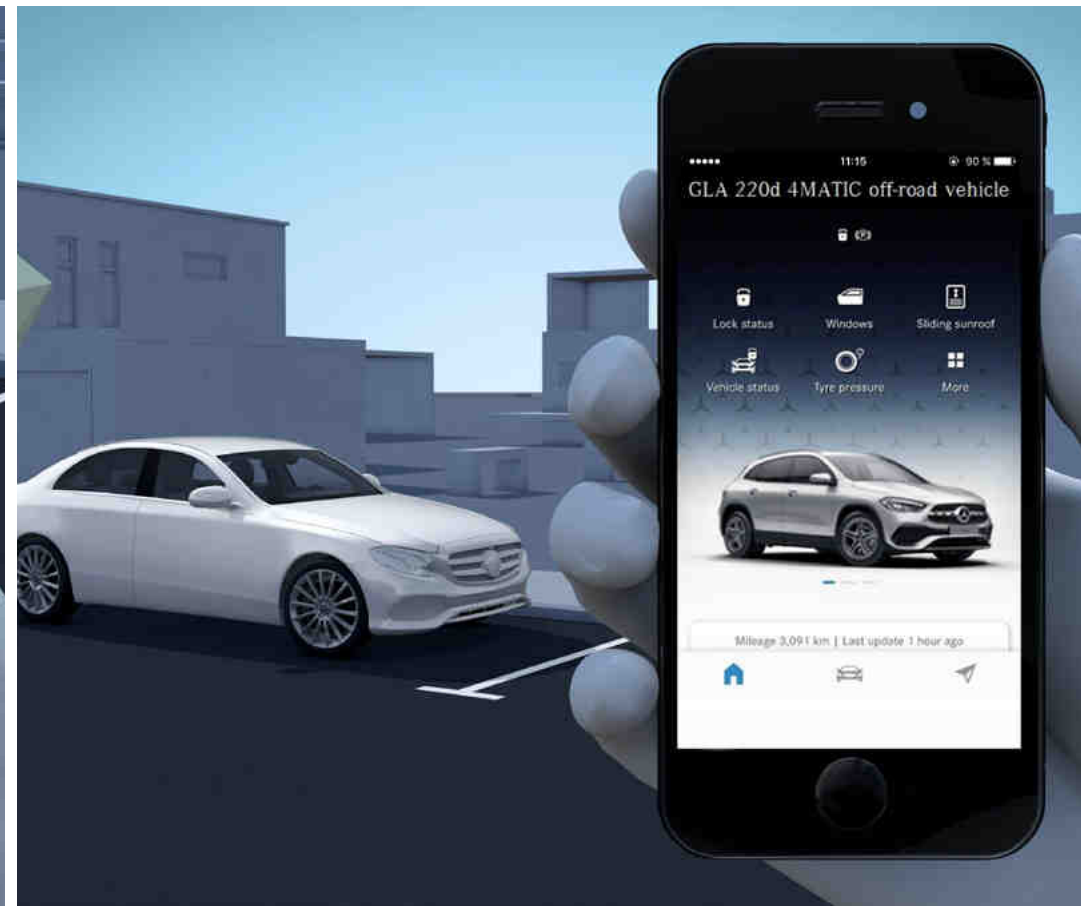
## VEHICLE MONITORING

- ✓ Locates and directs you to your parked vehicle within a radius of 1.5 km.
- ✓ You can get your vehicle's geo-coordinates sent by GPS.
- ✓ Receives alert notifications if the vehicle exceeds the set speed.



## VEHICLE SET-UP

- ✓ Remote Engine Start
- ✓ Receives traffic information in real time and optimizes dynamic route guidance.
- ✓ Remote Retrieval of Vehicle Status: Information on Mercedes me App or the Mercedes me Portal.
- ✓ Remote Door Locking and Unlocking: You can conveniently remotely lock or unlock your vehicle from the Mercedes me App.
- ✓ Speed Alert: Receive an alert if your vehicle exceeds a certain speed.
- ✓ Send2Car function: Send your address to your vehicle via an app



### LINGUATRONIC VOICE CONTROL SYSTEM

- ✓ Just two words “Hey Mercedes”
- ✓ Obeys every word and talks to you.
- ✓ Checks the destination weather, changes the radio station or takes you home on the fastest route.

### MERCEDES-BENZ EMERGENCY CALL SYSTEM

It saves you vital minutes in an emergency. If an accident is detected, a communications module with its own SIM card automatically triggers an emergency call which can shorten the time until the rescue services arrive.

### INDIVIDUALIZATION

- ✓ Change the ambient lighting.
- ✓ Configure the display styles on the instrument cluster and multimedia system display.
- ✓ Individualize the Touch Control buttons on the steering wheel.

### ARTIFICIAL INTELLIGENCE

- ✓ Remembers your favorite songs and the way to your work.
- ✓ Automatically adjusts the right radio station.
- ✓ Shows the fastest route.





Something special. On every trip, from any angle.  
With the Fit & Healthy features.

Ambient lighting in 64 colours | Cruise Control | Comfort Suspension | Off-road Engineering Package | Electrically adjustable front seats with memory function and Lumbar support | DYNAMIC Select | EASY-PACK Tailgate

# Pack more power in every drive.

Don't let the roads hold you back. The all-new Mercedes-Benz GLA comes with robust engine variants that bundle together with state-of-the-art technology and power-packed features like the Off-Road Package which add to its untamed spirit. Go on, rediscover and reclaim your city and country sides.





# Engine

## Petrol: GLA 200

A win-win situation is achieved courtesy of the numerous high-tech coatings: they enhance efficiency and reduce wear and tear.

### Key features:

- A turbocharger controls the charge pressure electronically – more flexibly, more quickly and more precisely, primarily in the partial load range
- **Air-cooled charge air cooler:** increases air density and thus, performance
- Complex coating system, including extremely hard cylinder barrels featuring **NANOSLIDE® technology (iron-carbon):** they provide for ideal lubrication, reduce friction and form the basis for low wear
- **Piston rings with DLC (diamond-like carbon):** diamond-like carbon is extremely abrasion-resistant and dissipates heat excellently
- Pistons with friction-reducing coating made of graphite/carbon fibres, among other materials – this also protects the material and reduces consumption





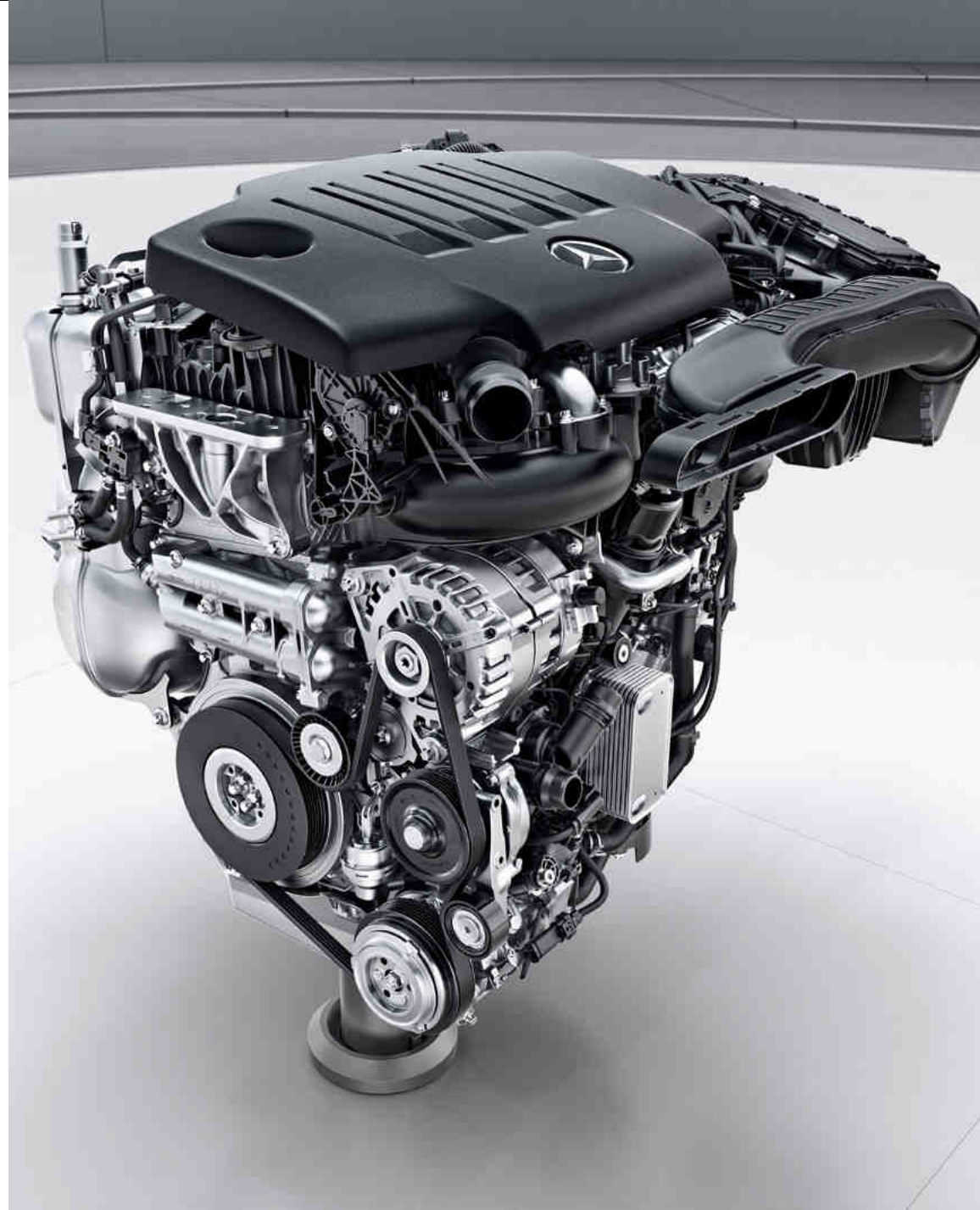
# Engine

**Diesel: GLA 220d, GLA 220d 4MATIC**

The diesel engines of the latest generation give a lot but take little. This is thanks to their particularly light, compact design and minimal frictional losses. Significantly less noise and vibrations bring the level of refinement virtually to that of petrol engines.

## Key features:

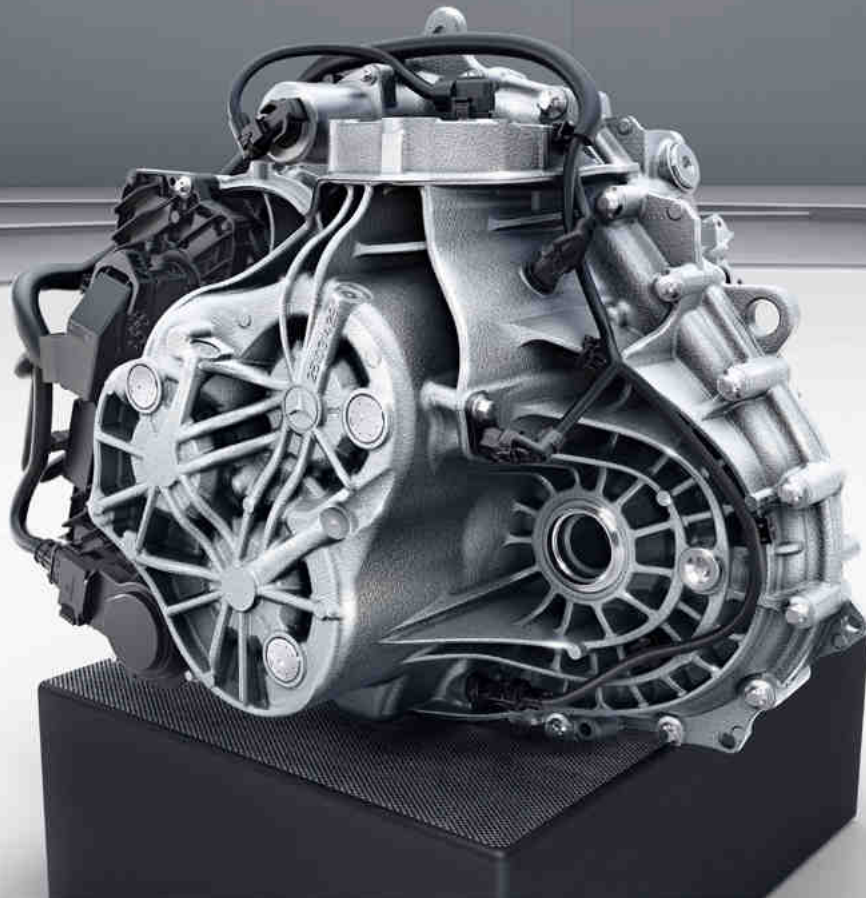
- **NANOSLIDE®:** ideal lubrication, reduced friction and maximum wear resistance thanks to extremely hard cylinder contact faces with minuscule pores for oil absorption
- **Plastic engine mounts:** quieter and less vibrations
- Optimised airflow to the intake and exhaust sides: less noise generation
- All-aluminium construction with low cylinder spacing (90 mm), camshaft drive at the rear, Lanchester balancer shafts on the left and right positioned next to the crankshaft instead of beneath it: exceptionally compact and light design
- **High-tech steel pistons (tested in the fields of commercial vehicles and motor racing):** lower thermal expansion and thus friction compared with aluminium, at the same time even lighter and more robust
- Turbochargers with adjustable turbine blades (to control the air volume) and injection pressure up to 2050 bar: superior torque build-up
- **Common rail direct injection (4th generation):** highly efficient mixture formation thanks to directly controlled piezo injectors (up to seven injections per power stroke)



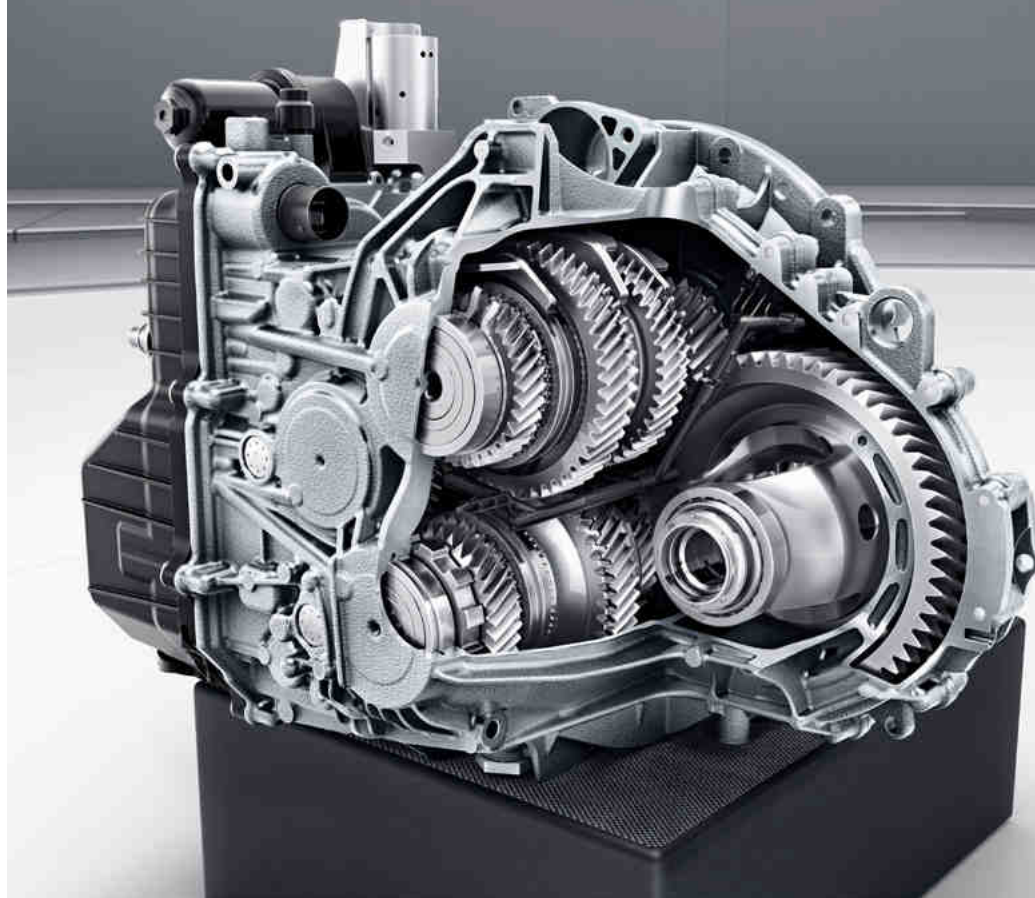
## Transmission

The DCT dual clutch transmission consists of two sub-transmissions, each with its own clutch. With the dual clutch transmission you accelerate faster and without any interruption. The next gear is always already preselected. With the drive program you can also change the characteristics of the dual clutch transmission. If you change gear manually, with the shift paddles on the steering wheel, you almost feel like you're in the cockpit of a racing car.

7G-DCT (with GLA 200)



8G-DCT (with GLA 220d and GLA 220d 4MATIC)



## Off-Road Engineering package *(with GLA 220d 4MATIC)*

Makes your GLA fit for difficult terrain: the additional Off-Road drive program optimises traction, for example on snow, slush or loose surfaces. For this it adjusts the power delivery of the engine and the ABS control for light terrain away from paved roads. You can set the additional Off-Road drive program via DYNAMIC SELECT – for example when you are driving in light off-road terrain. You can also access an animation of the driving situation on the media display. A realistic representation of the gradient, inclination angle and technical settings.

With the Downhill Speed Regulation (DSR) your vehicle gets a helpful assist system. The downhill driving assist system automatically maintains a preselected slow speed between approx. 2 and 18 km/h, which can be viewed in the Instrument Display and the optional head-up display. With targeted brake actuation the assist systems helps you to maintain control when driving on steep downhill gradients.



## Comfort Suspension

Enjoy a high level of comfort on long motorway stretches while tackling tight curves with sporty flair. The balanced comfort suspension provides an impressive mix of responsive suspension reserves with excellent driving stability. This makes your driving safe while at the same time providing a great deal of driving pleasure.

In the GLA 220d 4MATIC the suspension has been lowered by 15 millimetres and works with specially tuned springs and dampers to provide a much sportier configuration than the standard suspension.



## DYNAMIC SELECT

### Modes for your driving moods

Just drive as you want to. At the press of a button DYNAMIC SELECT offers different drive programs with setting options for the engine, transmission, chassis and steering, for instance. In **"Sport"** mode the vehicle is more dynamic and in basic **"Comfort"** mode its setup is very balanced. **"ECO"**, on the other hand, places the emphasis on maximum efficiency and saves fuel and money.

In **"Individual"** you choose all the respective parameters yourself. This means that you can select a sporty setting for the drive system and at the same time have a comfortable setting for the chassis.

With the Off-Road Engineering package in the GLA 220d 4MATIC one can additionally select the **"Off-Road"** drive program. It optimises traction, for example on snow, slush or loose surfaces. For this it adjusts the power delivery of the engine and the ABS control for light terrain away from paved roads.



## Cruise Control

Enjoy relaxed, fuel-efficient motoring on longer journeys in particular. For this you preselect your desired speed and your vehicle takes over control of the speed. In addition to the travelling speed, the limiter helps you to observe a maximum speed. The controls are located in an ideal, ergonomic position on the left steering wheel spoke.



## Just climb aboard.

The new GLA will support you in every situation. From the safety assistants to the operating system, which gets to know you better each time you interact with it. It adapts to your lifestyle as well as to the terrain on which you drive. Arrange a test drive now and get to know the new Mercedes-Benz GLA for yourself.



\*Please read the disclaimer.

## PRE-SAFE® system

The PRE-SAFE® system makes use of the time prior to an impending accident on your behalf. The innovative PRE-SAFE® Sound generates a noise from the speakers which is able to trigger a protective reflex: your hearing briefly disconnects, thus protecting itself from the loud noises of the crash.

Preventive occupant protection uses the sensors of other systems such as ESP® or BAS or of other driving assistance systems.

The PRE-SAFE® system preventively tensions the seat belts of the driver and front passenger via an electric motor.

- It closes and opens side windows and/or the open panoramic sliding sunroof, leaving just a small gap, in the event of detecting an impending rollover.
- Moves the front passenger seat into a more favourable position for the possible impact
- The PRE-SAFE® system responds to the driver's actions – for example emergency braking, critical steering movements, fast switching between the accelerator pedal to the brake pedal
- Registers vehicle behaviour – strong oversteer/understeer or a significant course correction by the Crosswind Assist



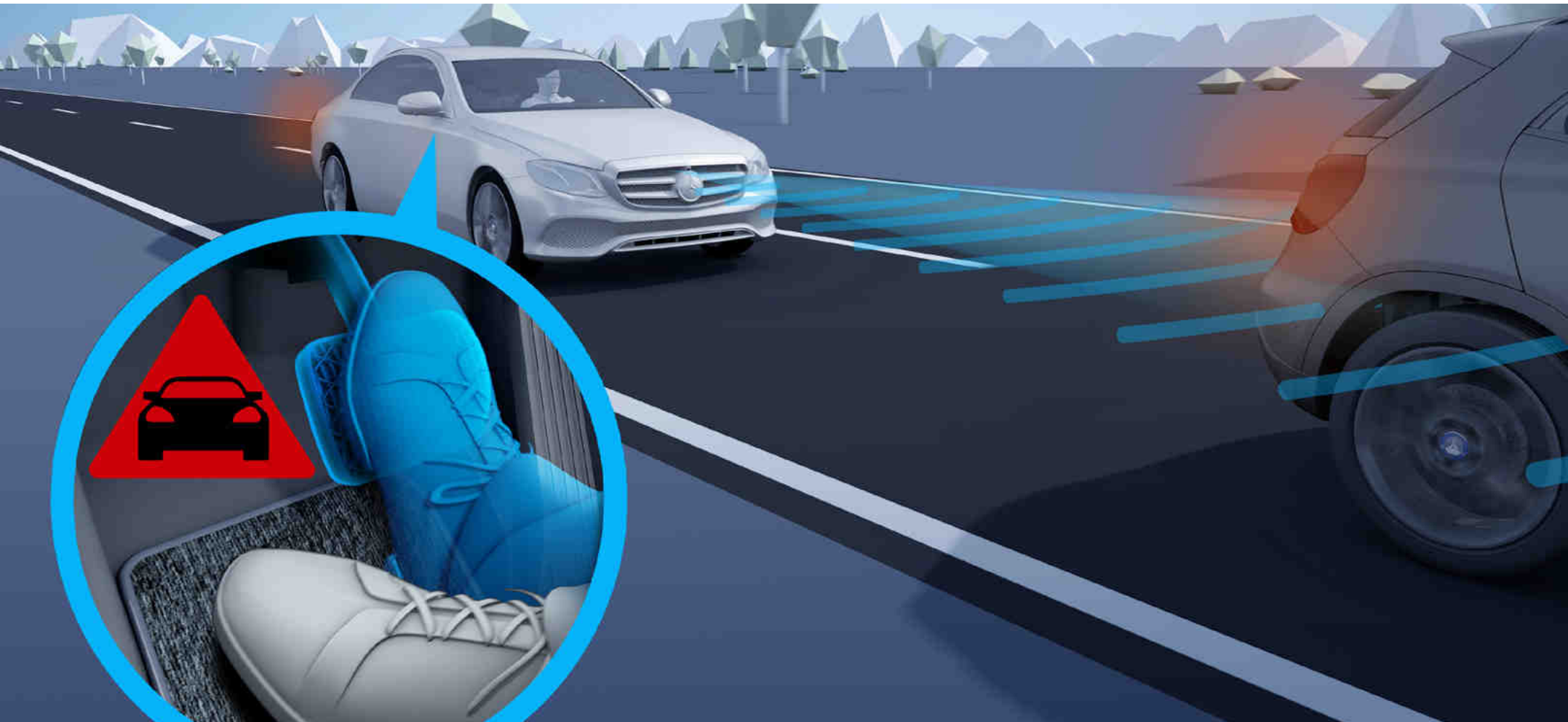
*\*available with few models*



## Active Brake Assist

Active Braking Assist is constantly attentive for you, and can help prevent serious accidents due to insufficient distance or inattentiveness. If you do not react, Active Braking Assist does so on your behalf and attempts to diffuse as much energy as possible with an autonomous brake application. This prevents accidents and lessens their severity. The system can also brake up to a speed of approx. 60 km/h for stationary vehicles and pedestrians crossing. Depending on the situation this even prevents collisions up to a speed of 50 km/h.

- Radar-based driving assistance system with mono camera
- Adjustment options for intervention points: early, medium and late
- When the critical braking exceeds specific acceleration values, the functions of the PRE-SAFE® system can also be activated



## Active Bonnet

The active bonnet system minimizes pedestrian injuries by lifting the rear edge of the hood when you are involved in an accident. Raising the hood creates additional space that can serve as a cushion between the hood and the engine improving pedestrian protection.



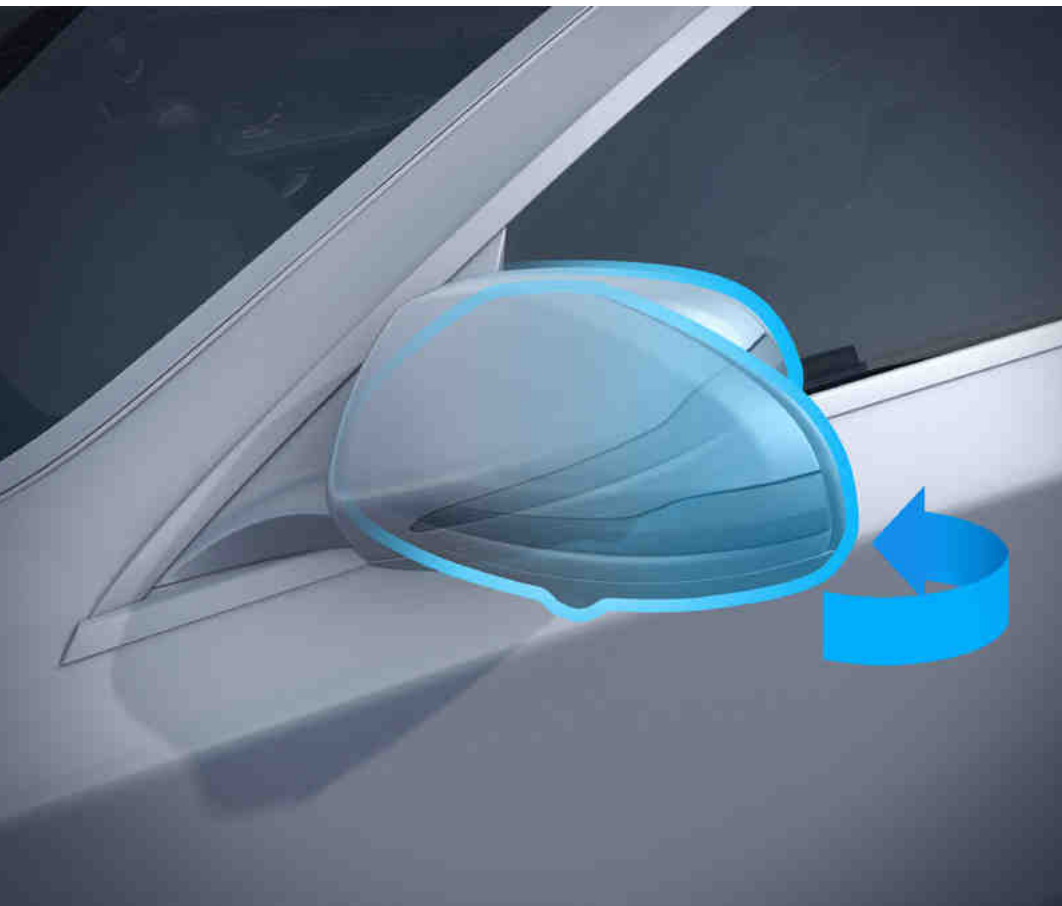
## Kneebag

The kneebag protects your legs from contact with the steering column or the dashboard in a severe frontal crash. This can prevent or lessen the severity of injuries. The air cushion inflates in milliseconds and stabilises the whole body. This ensures that the entire restraint system including the seat belt work together optimally.



## Mirror Package

You can fold in the exterior mirrors electrically and thus make your car slimmer at the press of a button. Small parking spaces suddenly become big enough. The driver's exterior mirror and the rear-view mirror are also able to register headlamp dazzle from the rear and dim automatically.



## Reversing Camera

The media display shows a live picture of what the camera detects. When reversing, the system assists you by overlaying dynamic guide lines which display the path of the vehicle based on the steering angle. There is also a choice of standard or wide-angle views.



## Tyre pressure monitoring system

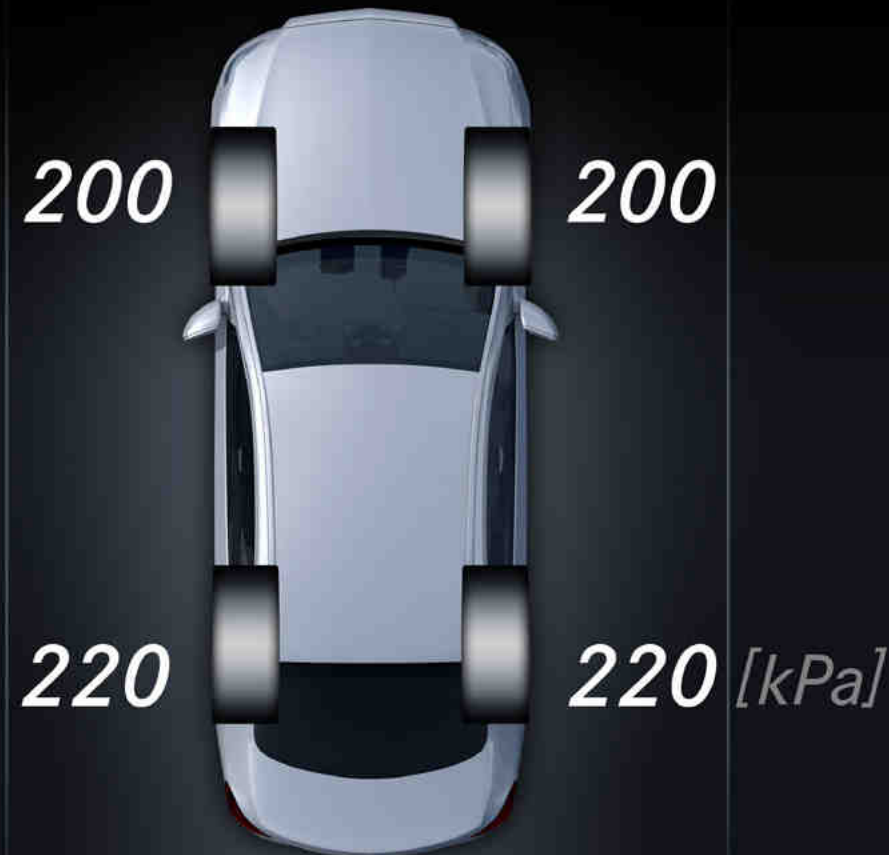
The system monitors the tyre pressure for you and provides you with a warning in the event of a drop in pressure. Correct tyre pressure additionally increases tyre life.

It also sounds when the tyre pressure suddenly drops very quickly. The instrument cluster then displays the line of text "Warning - tyre defective".

If the tyres are overloaded – for example due to excessive speed – the tyre pressure monitoring system reports: "Tyres overheated".

## Emergency Spare Wheel under the Load Floor

The narrow emergency wheel is lightweight and makes changing a tyre in the event of a breakdown simple. This enables you to reach the next service station even in the event of more significant tyre damage.



## The 8 years you'll be looking forward to.

The all-new Mercedes-Benz GLA variants aren't just best-in-class when it comes to road presence and impressive features. There's more to the Stars than meets the eye. To give you an experience like never before, enjoy an 8-year warranty on engine and transmission from the date of the purchase.

### Get exclusive benefits such as:

- Honoured at any of our authorized Mercedes-Benz dealers nationwide
- Warranty work and repairs performed using Genuine Mercedes-Benz Parts
- Warranty transferable to the next owner in the event of a sale

### Coverage of the parts such as:

- Engine and Transmission
- Torque Converter
- Supercharger/Turbocharger
- Engine and Transmission Control Units



\*Please read the disclaimer.

# Paintwork

---

## METALLIC

---

Mountain Grey

---

Iridium Silver

---

Cosmos Black

---

Denim Blue

---

---

## NON-METALLIC

---

Polar White

---



**Genuine Accessories:** Make your Mercedes-Benz GLA even more promising. Additional charges apply.

## Mercedes-AMG Roof Box

The innovative, aerodynamically developed design of the Mercedes-AMG roof box combines sportiness and exclusivity. The two-colour finish and the fin in the cover creates an interesting interplay of light and shadow and emphasizes the expressiveness of the AMG design. With the design of the Mercedes-AMG roof box in two diffuser models, optimum results in terms of aerodynamics, driving characteristics and background noise are attained. A simple assembly is made possible by a rapid clamping system.

## Bicycle Rack

The epitome of easy cycle transport: New Alustyle bicycle rack. Suitable for different cycle types, e.g. road bikes or trekking bikes. Fully pre-assembled and ready to use. Extremely lightweight as a result of aluminum/steel construction: just 2.5 kg.

New and ingeniously convenient: bicycles can be attached at ground level before the rack is fitted. Up to three bicycle racks can be fitted.

*\*Additional attachments required for fitment*

## Roof Spoiler

A distinctive touch that gives the rear of the vehicle a more dynamic and sporty look. It doesn't affect field of vision in rear-view mirror. A high-quality primed finish allows the product to be painted in desired colour.



## LED Logo Projector, Mercedes-Benz Star

A fascinating presence: Innovative LED logo projectors project a Mercedes star with a 3D effect onto the ground in the entrance area when opening the driver or front passenger door.

Replaces the standard exit lamps in the front doors. 2-part set.

*\*Additional attachments required for fitment*

## Load Sill Guard

The load sill guard in a chrome look reliably protects the boot sill of the vehicle against damage and signs of wear. The load sill guard precisely adapts to the contours of the vehicle and, thanks to the carefully selected materials, ensures a high-class appeal.

## Travel and Style Coat Hanger

The coat hanger – for crease-free clothes when you're on the move. It's easy to arrive looking smart: the sturdy coat hanger allows you to hang up items of clothing on board. Rounded ends protect the fabric. Direct adapter makes it easy to secure hanger in place on the back of the front seats and to remove it again. Please note: for safety reasons, the coat hanger must be removed if a passenger is travelling in the rear of the vehicle.

*\*Additional attachments required for fitment*





## Folding table, Style & Travel Equipment

A practical place to put snacks and drinks during the journey. The folding table with direct adapter features a cup holder insert. Direct adapter makes it easy to secure the table in place on the back of the front seats and to remove it again.

Please note: for safety reasons, the folding table must be folded away if a passenger is travelling in the rear of the vehicle.

*\*Additional attachments required for fitment*



## SUV Dashcam Package

With the dual-channel camera system, the dashcam records critical driving situations; thanks to its innovative radar technology, it can also be used for efficient parking monitoring by scanning the area in the immediate vicinity of the vehicle to record relevant events. High resolution and light sensitivity ensure high video quality day and night. The built-in acceleration sensor likewise detects vehicle vibrations. Backlit keys make the unit easy to use. Additional settings can also be configured via the web interface or associated apps.

- High resolution and light sensitivity.
- Built-in acceleration sensor for detecting vehicle vibrations
- 32 GB Memory Card

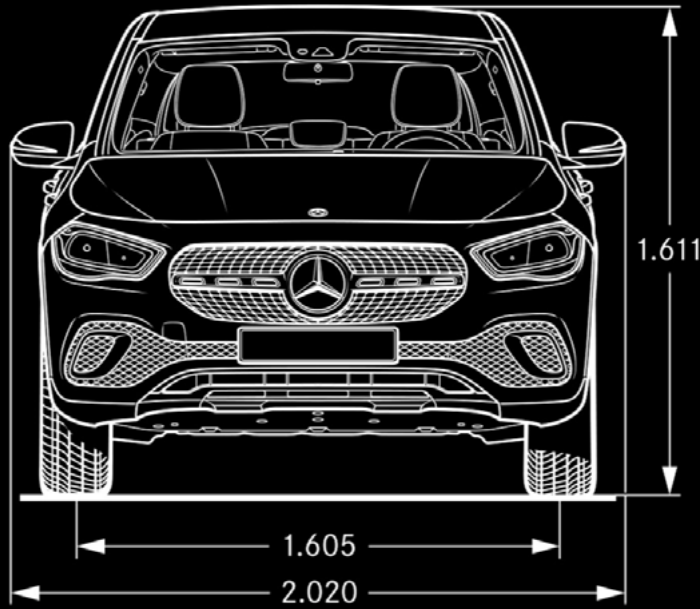


## Technical Specification

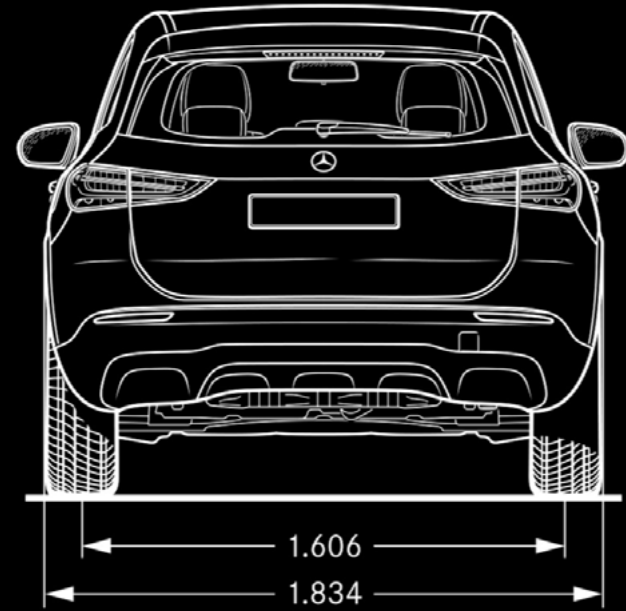
	Mercedes-Benz GLA 200	Mercedes-Benz GLA 220d	Mercedes-Benz GLA 220d 4MATIC
Total displacement (cc)	1332	1950	1950
No./arrangement of cylinders	L4	L4	L4
Transmission	7G-DCT	8G-DCT	8G-DCT
Rated output (kW [HP] @ rpm)	120 [163] @ 5500	140 [190] @ 3800	140 [190] @ 3800
Rated torque (Nm @ rpm)	250 @ 1620 - 4000	400 @ 1600 - 2600	400 @ 1600 - 2600
Acceleration 0-100 km/h (s)	8.7	7.4	7.3
Top Speed (km/h)	210	222	219
L x W (ORVM) x H (mm)	4410 x 2020 x 1611	4410 x 2020 x 1611	4436 x 2020 x 1611

# Dimensions

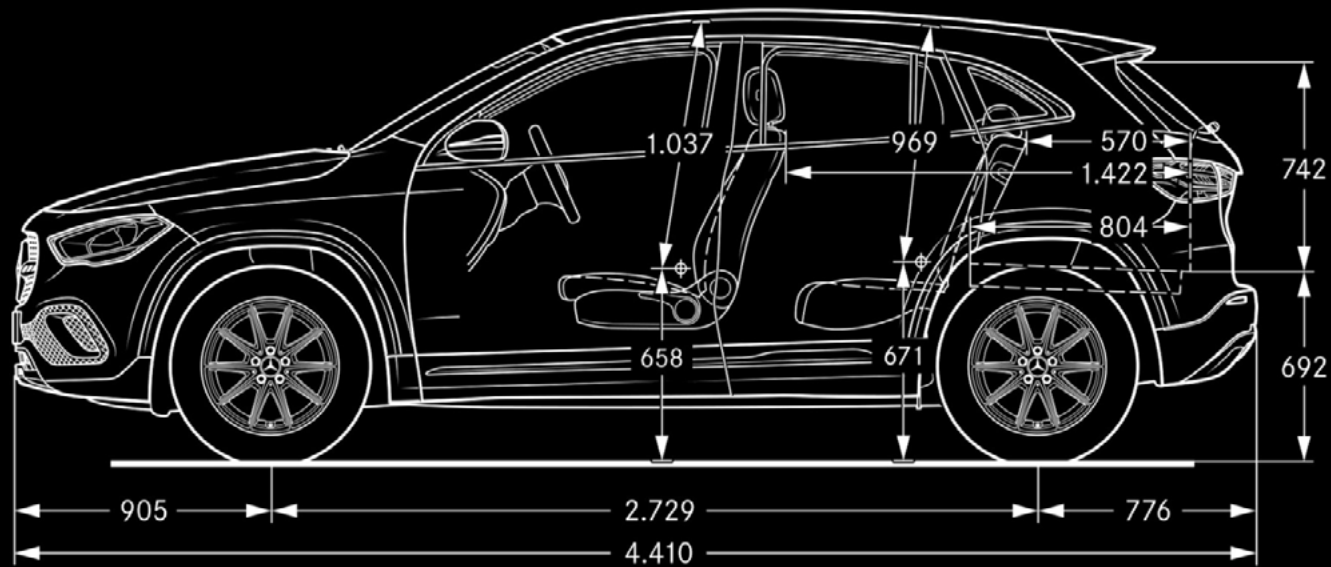
## Front



## Rear



## Side



**Mercedes-Benz India Private Limited:** E-3, MIDC Chakan - Phase III, Chakan Industrial Area, Kuruli & Nighoje, Tal: Khed, Pune - 410 501 (India)  
Toll free No.: 0008000501888. e-mail: [cs.ind@cac.mercedes-benz.com](mailto:cs.ind@cac.mercedes-benz.com), **website:** [www.mercedes-benz.co.in](http://www.mercedes-benz.co.in)

**Please note:** This brochure is intended for general information, description and illustration of the Product including optional functions and equipment and may not be specific to a Product since specification of a product may change from time to time. Optional features, functions and equipment etc. may not be present in the Standard or Variant Product or Special Edition Product. Further, Standard specifications of a product may also vary from time to time. Colours may differ from those shown in pictures in the brochure. Mercedes-Benz India reserves the right to make changes without prior notice, in design, colours, materials, components, equipment, specifications, features, functions, make and models etc. The information given in this brochure shall be regarded as accurate at the time of launch and may vary thereafter due to any developments or any other reason. Interested customers should reach out to the Authorised Dealer for further information on the exact specifications, features of the product.

Images shown are for representation purposes only. Some of the vehicles in the Brochure are left hand drive wheel. However, Mercedes-Benz India only manufactures and sells vehicles as per the applicable motor vehicle regulations in India. All vehicles sold by Mercedes-Benz Authorized Dealers shall be with right hand drive wheels only.

All title, ownership rights and intellectual property rights in and relating to this brochure/magazine or publication material or any copies thereof including but not limited to copyright, logos, names, trademarks, service marks, design, text, images, links, concepts and themes are owned by Daimler AG and/or its subsidiaries collectively or used under authorised license by the Daimler AG. Any reproduction, transmission, publication, performance, broadcast, alteration, license, creation of derivative works or other use in whole or in part in any manner without the prior written consent of Mercedes-Benz India Pvt. Ltd is strictly prohibited.

Mercedes-Benz cars: The GLA meets Bharat Stage VI equivalent emission norms.

CIN - U34102PN1994PTC083160