

The new Mercedes-Benz C-Class



Mercedes-Benz







Welcome to the comfort zone.

*Please read the disclaimer



The design:
sportiness meets modern luxury.



[Click Here](#)



The interior:
the expression of progressive comfort.



The drive system:
innovative and efficient.



Climb in. Breathe out.



The safety:
reassuringly Mercedes-Benz.



Mercedes-Benz C-Class

Engine



Diesel Engine with ISG Technology

C 220d and C 300d - OM654M

First diesel engine to have the integrated starter alternator (ISG) from Mercedes-Benz India. The 4-cylinder diesel engines with 48 V on-board electrical system deliver a great deal but need very little. Thanks to the integrated starter-alternator with Boost function as well as improved injection and turbocharging, it has been possible to increase output and torque even further. Significantly less noise and vibrations bring the level of refinement to that of petrol engines. NANOSLIDE® helps with being the ideal lubrication, reduces friction and maximizes wear resistance. Thanks to extremely hard cylinder contact faces with minuscule pores for oil absorption. The rated output of C 220d is 147 kW and C 300d is 195 kW.

Petrol Engine with ISG Technology

C 200 - M254

Tremendous pulling power even at low engine speeds – this is what characterises this advanced 4-cylinder petrol engine with 48-volt on-board electrical system. This gives you extra power boost and recuperation when required. This supplies, among other things, the integrated starter alternator, which is able to deliver additional torque of up to 200 Nm. Despite its temperament, the engine is fuel-efficient, low on emissions and has pleasantly smooth running characteristics. The CONICSHAPE honing of the cylinder barrels, in which the cylinder barrel widens towards the bottom in the shape of a trumpet, thereby reduces friction for less wear and lower consumption. The aluminum crankcase with cylinder barrel featuring NANOSLIDE technology for a friction-optimized cylinder contact surface, is very wear-resistant and so thin that it enables optimum heat transfer.



9G-TRONIC

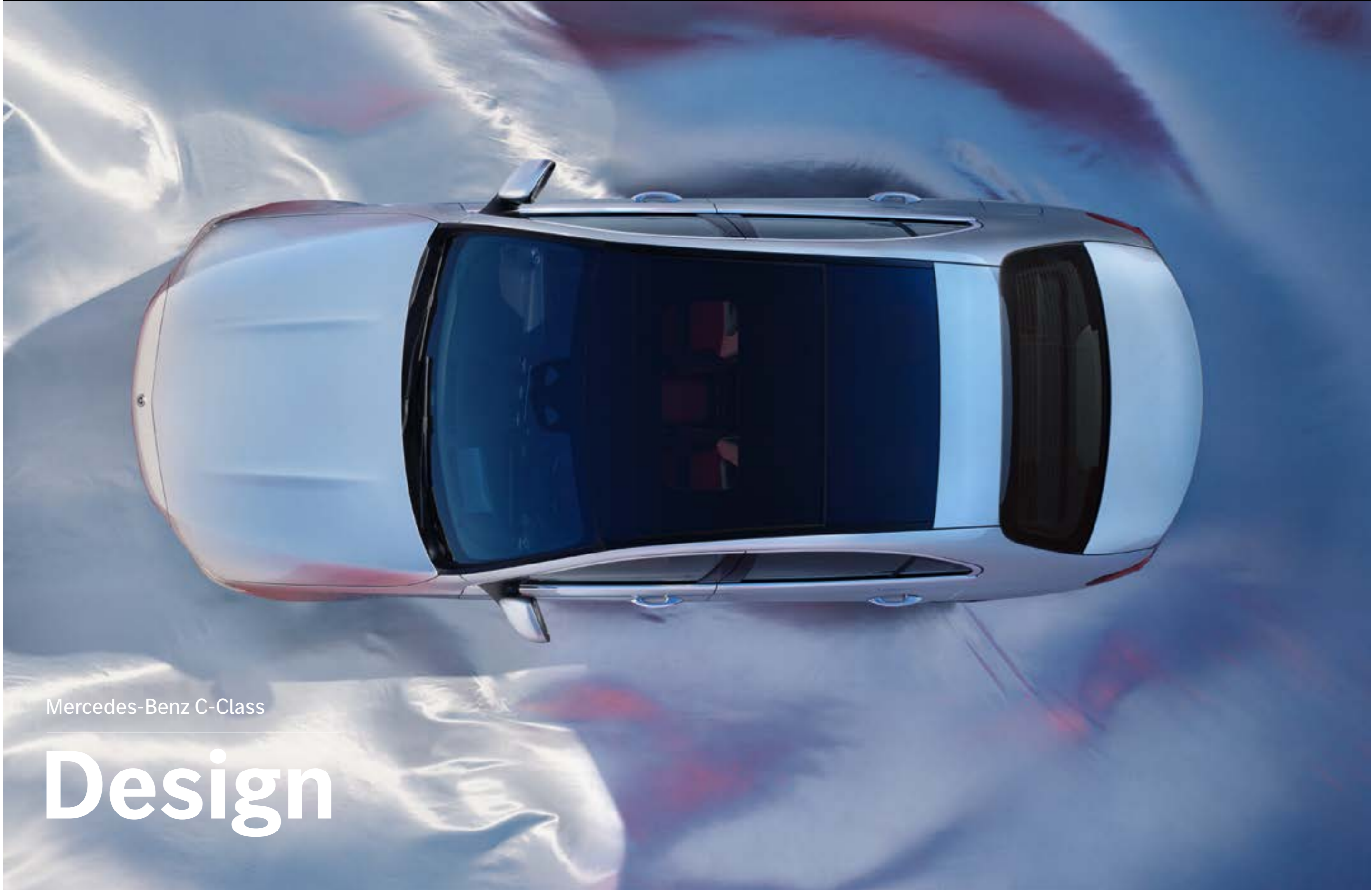
When you select the Comfort and ECO drive programs via DYNAMIC SELECT, 9G-TRONIC shifts through the nine gears for you smoothly and efficiently, thus providing optimum ride comfort. In addition, the transmission is also truly sporty: at the press of a button you can experience fast, sporty gear changes while nevertheless frequently driving in the optimum engine speed range. As such you can enjoy even more driving pleasure in Sport mode as a result of correspondingly better performance.





Comfort suspension

The comfort suspension with selective damping system combines well-balanced ride comfort with excellent handling stability. Thanks to the passive damping system you can enjoy a superior driving experience on any road surface: Ride characteristics, damping effect and stabilisation are continually and automatically adjusted to the current road conditions.



Mercedes-Benz C-Class

Design

AVANTGARDE exterior

(Available with C 200 and C 220d)

With the AVANTGARDE Exterior, you can further enhance the individuality and sportiness of your vehicle, and show clearly that you attach importance to style and high quality. The interplay of the design features results in an extraordinarily expressive vehicle.

- Radiator grille with integral Mercedes star and a chromed louvre, surround of the radiator grille in chrome
- 43.2 cm (17 inch) 5-spoke light-alloy wheels, painted high-gloss black with high-sheen finish
- Dynamic front bumper with centrally positioned trim element in mirror chrome and air inlets with diamond-pattern mesh in grained black
- Rear bumper painted in vehicle colour with centrally positioned trim (wing) in mirror chrome
- Beltline trim strips in polished aluminium
- Side window surrounds in polished aluminium
- Trim on the B-pillars in high-gloss black
- Bar on the rear side windows in high-gloss black
- Side sill panels painted in vehicle colour





AMG Line exterior (Available with C 300d)

The expressive bodystyling of the AMG Line lends the exterior of the C-Class a sporty, exclusive touch. As such you can make a clear statement for powerful design.

- AMG bodystyling consisting of AMG front apron with sporty air intakes and chrome trim element, diffuser-look AMG rear apron with insert in black plus AMG side sill panels
- Radiator grille with Mercedes-Benz pattern and integral Mercedes star as well as louvre in matt iridium silver with chrome insert
- 45.7 cm (18-inch) AMG 5-spoke light-alloy wheels with a high-sheen finish
- Exhaust system with two visible tailpipe trim elements integrated into the bumper

Night package (Available with C 300d)

The Night Package adds attractive features: many exterior elements are finished in black. They underscore the sporty character and special individuality of your vehicle. And as such you can demonstrate your sense of expressive design and exclusive sportiness.

- Radiator grille:
 - In conj. with AMG Line Exterior: radiator grille with Mercedes-Benz pattern with pins in high-gloss black
- Front apron:
 - In conj. with AMG Line Exterior: AMG front apron with trim (wing) in high-gloss black
- Rear bumper with trim (wing) in high-gloss black
- Beltline trim strip and window weatherstrip in high-gloss black
- Exterior mirror housings painted high-gloss black

DIGITAL LIGHT (Available with C 300d)

With DIGITAL LIGHT (which has more than 1.3 million pixels per headlamp), you can experience brilliant lighting conditions – constantly adjusted to other road users and to the surroundings. This HD system responds with constantly adapted light to changing traffic, road or weather conditions.



LED High Performance headlamps

(Available with C 200 and C 220d)

These headlamps are a highlight in two respects: thanks to all-LED technology they enable you to see and be seen better – and therefore offer enhanced safety. With their striking design the front lights are already bright during the day, while at night their technical excellence shines through in particular.



Panoramic sliding sunroof

Whether open or closed, with the panoramic sliding sunroof, you experience a wonderful feeling of freedom and enjoy a pleasantly bright ambience in the interior. When viewed from the outside, the large sliding sunroof likewise makes a unique visual impression, as it lends lightness and exclusivity to the exterior.

Mirror package

The Mirror Package combines a number of practical functions for your day-to-day motoring. Electrically folding exterior mirrors protect your vehicle from damage when parking, the automatic dimming function protects your eyes, while the surround lighting - including a projection of the Mercedes-Benz logo makes it easier for you to find your way in the dark.





AVANTGARDE interior

(Available with C 200 and C 220d)

With the AVANTGARDE Interior, you can show what is important to you: stylish sportiness, strong individuality and first-class quality. The avant-garde highlights in the expressively designed interior with ambient lighting will bring you joy day after day.

- Seats with unique seat upholstery layout and redesigned headrest
- Multifunction sports steering wheel in leather steering wheel bezel in silver chrome
- Ambient lighting
- Free-standing, fully digital instrument display with 31.2 cm (12.3 inch) LCD colour display and a resolution of 1440 x 540 pixels
- High-resolution central display slightly tilted towards the driver with 30.2 cm (11.9 inch) screen diagonal, in conj. with MBUX multimedia system
- Upper part of the instrument panel in black and lower part in black or macchiato beige with contrasting topstitching
- Centre console in high-gloss black with insert in silver chrome
- Air vents with elements in silver chrome
- Doors with high-gloss black trim elements and surround in silver chrome as well as switches in silver chrome
- Stowage Space Package
- Overhead control panel in high-gloss black

AMG Line interior

(Available with C 300d)

The AMG Line interior lends your vehicle a more visible and tangible sense of sportiness. In this way you can make a clear statement and show at first glance what is important to you: a dynamic and exclusive ambience down to every detail.

- Seats with sporty seat upholstery layout and redesigned headrest
- Multifunction sports steering wheel in nappa leather, with horizontal twin-spokes, flat bottom, deep embossing in the grip area, steering-wheel bezel and steering-wheel paddle shifters in silver chrome
- AMG brushed stainless steel sports pedals with black rubber studs
- Ambient lighting
- Instrument panel and beltlines in ARTICO man-made leather in black nappa look
- Centre console in high-gloss black with insert in silver chrome
- Air vents with elements in silver chrome
- Doors with high-gloss black trim elements and surround in silver chrome as well as switches in silver chrome
- Floor mats in black with AMG lettering
- Overhead control panel in high-gloss black





Sporty Seat Design

In addition to the new upholstery, there are also other visual and technical innovations in the seating system:

- Head restraint connected to the seat backrest via a trim panel for a sporty look in conjunction with AVANTGARDE interior and AMG Line interior.
- Gap-free seat cushion depth adjustment with pad for leg support.
- Centre armrest with double cup holder in the rear





Leather multifunction sports steering wheel

wheel (Available with C 200 and C 220d)

The elegant leather cover gives the multifunction sports steering wheel an even higher quality look. This makes it a highlight in the interior. And as the driver you enjoy a double benefit: what looks good must also feel good.



Multifunction sports steering wheel in nappa leather

(Available with C 300d)

The multifunction sports steering wheel in nappa leather has a flattened bottom section and is heavily embossed in the grip area – outstanding prerequisites for a sporty driving style. The high-quality, soft nappa leather is a quality experience in itself. Via the touch control panels you can control key vehicle functions without having to take your hands off the steering wheel.

Central display

The high-resolution central display captivates with its brilliant picture quality. It's 30.2 cm (11.9 inch) diagonal screen is operated by touch entry with LCD technology. The screen in portrait orientation has a full-area glass cover and is slightly tilted towards the driver, making it easier to operate and read. This format is more clear in particular for navigation maps with a resolution of 1624 x 1728 pixels (width x height).



Driver display

The high-resolution driver display allows you to have an eye on all the desired information in an easy to read format. It's 31.2 cm (12.3 inch) LCD colour display with a resolution of 2,400 x 900 pixels makes you more relaxed while on the road. The high-quality, free-standing display is an important element of the digitised, finely designed interior, which is exemplary for the modern luxury of your Mercedes. It has 7 different settings with specific content and 3 different display styles.



Cruise Control

Enjoy relaxed, fuel-efficient motoring on longer journeys in particular. For this you can preselect your desired speed and your vehicle takes over control of the speed. In addition to the travelling speed, the limiter helps you to observe a maximum speed. This enhances road safety and prevents you from incurring expensive speeding tickets.

Electrically adjustable front row seats with Memory package

With the Front Memory Package you can store and conveniently select up to three different seat positions. These can be linked to user profile so that the seat setting is done as per the pre-set profile using NTG 7. Additionally, the positions of the steering wheel and outside mirrors. If you have created a user profile, you must activate this in the central display in order to call up your personal settings.





DYNAMIC SELECT

DYNAMIC SELECT changes the handling at the tap of a finger. Use different driving modes and vary the characteristics of the engine, suspension and steering, for example. Whether dynamic in Sport mode, fully relaxed in Comfort mode or particularly economical in ECO mode – you determine the way you want to drive right then.

USB package

Thanks to the two additional USB-C ports under the front armrest, you and your passengers charge mobile devices very easily. Using connected devices, you can also import data such as your stored music to the multimedia system.



Wireless charging system

Driving time becomes charging time - just drop your smartphone into its allotted place in the oddments tray for wireless charging. Irrespective of the model and brand, compatible smartphones are charged wirelessly.



Premium Plus Ambient lighting

Showcase the interior according to your personal preferences or current mood. With a total of 64 colours and 10 moods, the ambient lighting gives you almost unlimited choices for lighting schemes and has the right colour available in the programme for any situation.

- Trim element plane with direct lighting running from the sides of the centre console to the instrument panel and the door handles of the front and rear doors
- Additional lighting scopes on the air vents and the door centre panels of the four doors (baguette with direct and indirect lighting)
- Four dimming zones (All, DIRECT, Ambient and Accent)
- Variable brightness setting

*Please read the disclaimer

Burmester® 3D surround sound system

(Available with C 300d)

Experience greater audio performance with exquisite Burmester® sound. The 15 high-quality speakers of 710 watt achieve impressive surround sound. You can specifically optimise this for the front and rear seats to intensify the listening experience. The unmistakable Burmester® speaker covers also enhance the interior visually.



Double cup holder

You can always have a refreshing or warming drink within reach. This is made possible by the double cup holder in the front section of the centre console. You can safely deposit two bottles or mugs in it. And if you remove the double cup holder, you add a large stowage tray to the interior.



THERMATIC automatic climate control

The THERMATIC automatic climate control with 2 climate zones offers individual climate comfort in the front seats: the driver and front passenger can set the temperature separately for their side. This is kept constant thanks to the automatic climate control and the sensitive sensor system - without any manual readjustment.



Folding rear seat backrests

More flexibility for your boot: With just a push of a button, the seats get folded. The folding rear bench seat enables you to transform the boot into a long load area in next to no time. It therefore becomes easy to transport large or bulky items of luggage.

Stowage Space package

The standard-fit Stowage Space Package has numerous stowage and securing facilities for the interior as well as for the boot or load compartment. Useful stowage spaces ensure that everything has its place. Small and large items of luggage can be optimally secured.

- Luggage net on the left sidewall panel in the boot or load compartment
- Folding box beneath load compartment floor





Illuminated door sill panels

Even getting in and out becomes an experience in itself. As part of this, the high-quality stainless-steel sill panels are illuminated with striking "Mercedes-Benz" lettering. This shows that you value modern luxury.



Velour Floor Mats

(Available with C 200 and C220d)

The velour floor mats further enhance your interior. They are provided in the respective appointments color with matching edging, thus ensuring that they blend perfectly into the interior design. In addition, the mats protect the footwell against dirt – they can be removed very rapidly to be vacuumed or cleaned.



AMG floor mats

(Available with C 300d)

The C 300d comes with AMG floor mats specially for your comfort.



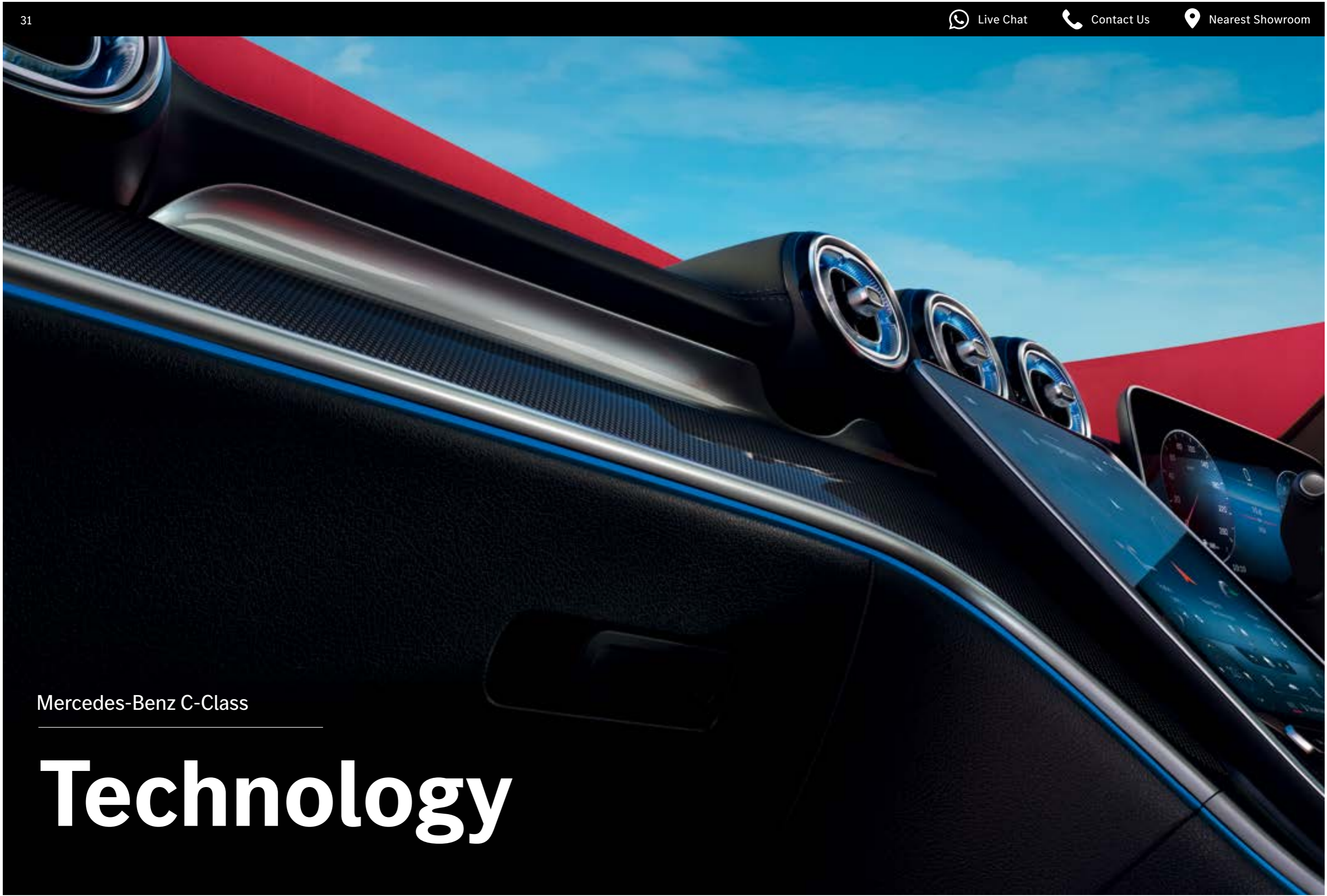
Electric sunblind for rear window

The electrically extending and retracting roller sunblind for the rear window protects against harsh direct sunlight in summer. As a result, as the driver you can ensure that you are not dazzled by sunlight coming from the rear. In addition, the interior heats up less. Visibility to the rear is maintained.

Roller sunblinds in left and right rear doors

The manual pull-out roller sunblinds protect against direct, bright sunlight in summer and when the sun is low in the sky. As a result your rear passengers are not dazzled and the interior heats up less. It still remains possible to see out of the rear windows - for a pleasant and eventful journey.





Mercedes-Benz C-Class

Technology



Car-to-X Communication

The social media for the cars.

Drive with foresight and safely thanks to networked information. Sometimes, when driving, an uneven surface suddenly appears behind a curve and you can barely prevent a jerk. Everyone has probably already experienced confusing situations of this kind - a great risk in road traffic. Thanks to Car-to-X Communication, you can see such dangers coming and react in good time. Vehicles equipped with the technology communicate with each other, so that on the one hand information is transmitted to your vehicle and on the other hand you also inform other drivers yourself. You will be warned by marking on the navigation map and, if necessary, by an announcement. In this way you will reach your destination safely - without nasty surprises. Depending on sensors onboard the vehicle reports warning.

*C-Class would only receive and would not send warning sign for Speed Bumps as necessary sensors are not present.

Please note that certain services are offered free of cost for a period of three (03) years and may be chargeable at the expiry of three (03) years from the date of activation of such services. If you wish to continue using those services, you may renew the same through Mercedes Me Store (as and when it is available). Please get in touch with your preferred Franchise Partner for more details.



Natural Voice Control

“Hey Mercedes.” These two initial words start the natural, intuitive LINGUATRONIC voice control system which comes as standard. It reacts to almost every word. The system can even process indirect speech – the air conditioning will respond, e.g. to “I feel cold” and increase the temperature setting. At the same time the voice control also has learning capability. It attunes itself to your voice and thus understands you better.

Touch Control Concept

MBUX offers users maximum freedom for controlling all functions in the way most comfortable and convenient to them. Whether using voice control or intuitive touch functions. The new Mercedes-Benz C-Class comes with the option of a multimedia touch display. Furthermore, the displays can be controlled using Touch Control buttons on the steering wheel.



MBUX Navigation Premium

With the MBUX Navigation Premium you can reach your destination quickly and well-informed. You can rely on current map data including satellite view, precise real-time traffic information and fast online route guidance. Last but not least, intelligently networked functions also make your journey safer.



Hard-disc navigation

Save time thanks to fast hard-disc navigation with flexible options for entries via touch control or voice input. The 3D displays of points of interest, for example, are also a visual delight. The intelligent system guides you reliably to your destination using both local and up-to-date online information.

Live Traffic Information

It receives traffic information in real time which is more precise and up-to-date than conventional systems and optimises dynamic route guidance. The data is updated every two minutes over a mobile phone connection. Sending the vehicle's location along with requests for traffic information ensures that the traffic information sent to your vehicle is the relevant information required for calculating your route and arrival time.

Fingerprint Scanner

With the fingerprint scanner you identify yourself very quickly and comfortably. If you touch the color-lit button, the system enables access to it. This is secure and, moreover, less distraction than entering a PIN.



Sound Personalization

(Available with C 300d)

A tailor-made listening experience: with the personalization of the sound system, you can easily achieve your perfect sound setup. A setup assistant with an innovative algorithm determines your music preferences together with you and adjusts the Burmester® sound system to your wishes. It saves the result in a personal profile.

Smartphone Integration

Smartphone Integration connects the mobile phone with the multimedia system wirelessly via Apple CarPlay™ or Android Auto™. This gives you convenient access to the most important apps on your smartphone. You can also use apps from third-party providers such as Spotify quickly and easily.



Extended Functions MBUX

Create an emotional connection - a vehicle becomes your vehicle. Because the extended functions of MBUX adapt to you. Say "Hey Mercedes" and MBUX will wait for your wishes and learn more thanks to the online connection. Personal profiles, forecast functions and a WiFi hotspot completely redefine digital networking.



Mercedes me connect allows drivers to stay in touch with their vehicles from anywhere in the world and to obtain assistance at the touch of a button thereby making everyday life easier.

Mercedes me

Vehicle Monitoring

Vehicle Tracker: Track your vehicle from anywhere, as your vehicle's GPS coordinates are seen on your phone App.

Parked Vehicle Locator: It can locate your parked vehicle within a radius of 1.5 kilometres and show you on a map how to make your way back to the vehicle.

Vehicle Set-Up

Remote Retrieval of Vehicle Status: Information on Mercedes me App or the Mercedes me Portal.

Remote Door Locking and Unlocking: You can conveniently remotely lock or unlock your vehicle from the Mercedes me App.

Speed Alert: Receive an alert if your vehicle exceeds a certain speed.

Send2Car function: Send your address to your vehicle via an app.

Remote Engine Start/Stop

Navigation Connectivity package

The combination of the standard-fit communication module (LTE) and the hard-disc navigation makes sure that you always reach your destination as quickly as possible by the best route.

Mercedes-Benz emergency call system

The Mercedes-Benz emergency call system can save you vital minutes in an emergency. If an accident is detected, a communications module with its own SIM card automatically triggers an emergency call which could shorten the time until rescue services arrive.

Please note that certain services are offered free of cost for a period of three (03) years and may be chargeable at the expiry of three (03) years from the date of activation of such services. If you wish to continue using those services, you may renew the same through Mercedes Me Store (as and when it is available). Please get in touch with your preferred Franchise Partner for more details.

Mercedes me

Vehicle Finder (enables horn and light flashing)

Find your vehicle in large parking lots with ease. Simply blow the horn or flash the headlamps through the app to locate your vehicle

Mercedes me Service app: Your digital assistant

Keep a tab on your Star's maintenance with ease. Get timely maintenance and service reminders. Book a service appointment and search for nearest showrooms with a single touch.

What's more, access expert tips to keep your Star in its best shape with car care videos.

Geo-fencing

Set a perimeter for the car movement and receive notifications in case of vehicle movement beyond the parameter. Hence the feature enables easy monitoring when vehicle is being driven by others.

Windows/sunroof open close from App

Open/Close the windows and sunroof of your Mercedes-Benz remotely through the app. This enables better ventilation before you get into the car.



Mercedes me

Additional Mercedes me connect features

Alexa Home Integration with Mercedes me

connect: Conversations with Alexa are now more fun when the systems connect with your Mercedes-Benz via cloud and give you real time updates. This feature can be used from an Alexa Echo device setup at home, office or also from phone's Alexa App. The command starts with "Alexa, Ask Mercedes to...." or directly initiate a command by saying "Alexa, tell Mercedes to <command>".

Google Home integration with Mercedes me connect: Google Home integration is also offered for Google home users. In a similar way, once the Mercedes me connect is linked to Google Home, you can start issuing commands.

Parking location POIs (Points of Interest): The introduction of new Parking solution, shows Parking lots available across different parts of the cities. The Parking POIs (Points of interest) can be seen easily on the navigation system or alternatively also on the Mercedes me App maps section.



Please note that certain services are offered free of cost for a period of three (03) years and may be chargeable at the expiry of three (03) years from the date of activation of such services. If you wish to continue using those services, you may renew the same through Mercedes Me Store (as and when it is available). Please get in touch with your preferred Franchise Partner for more details.

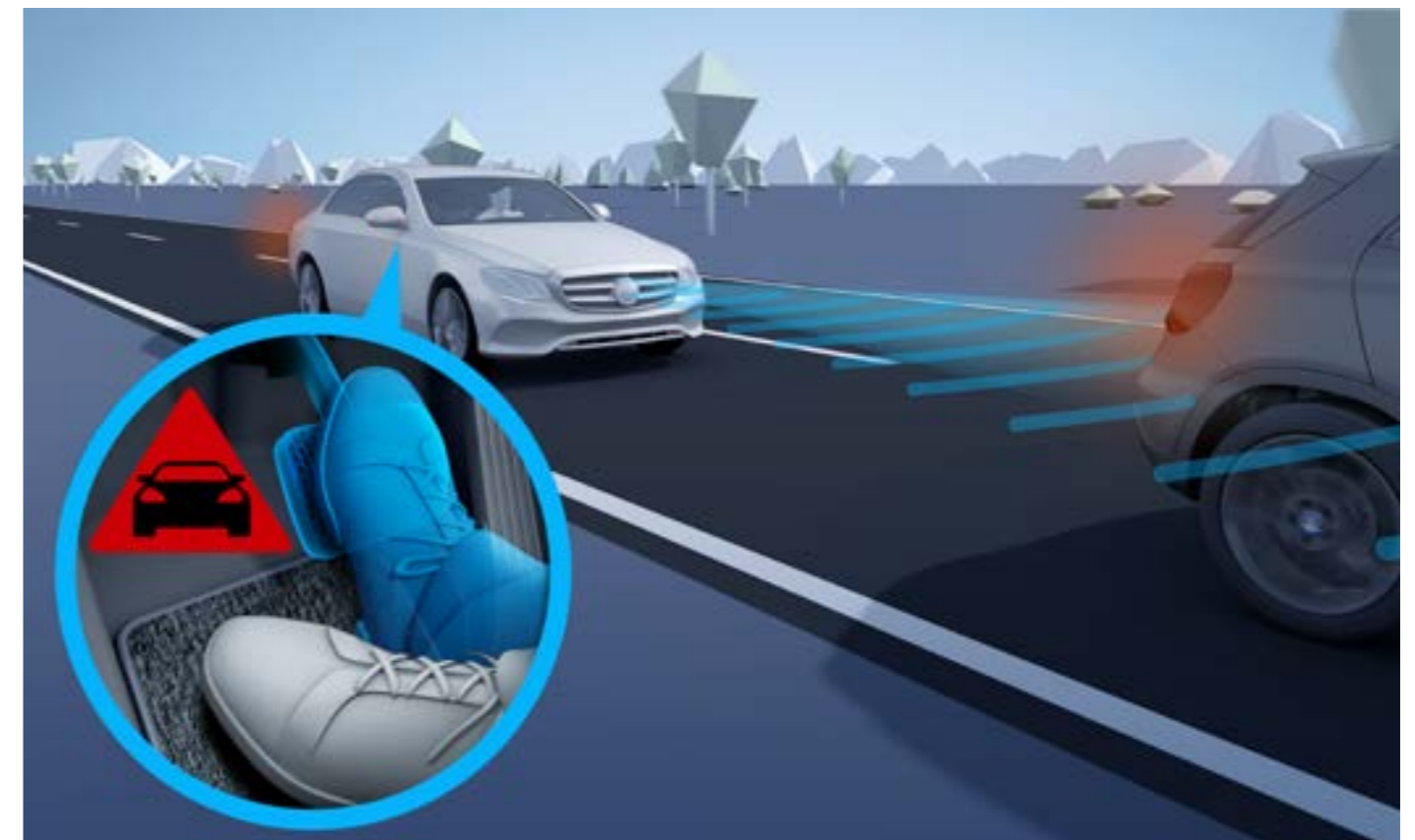
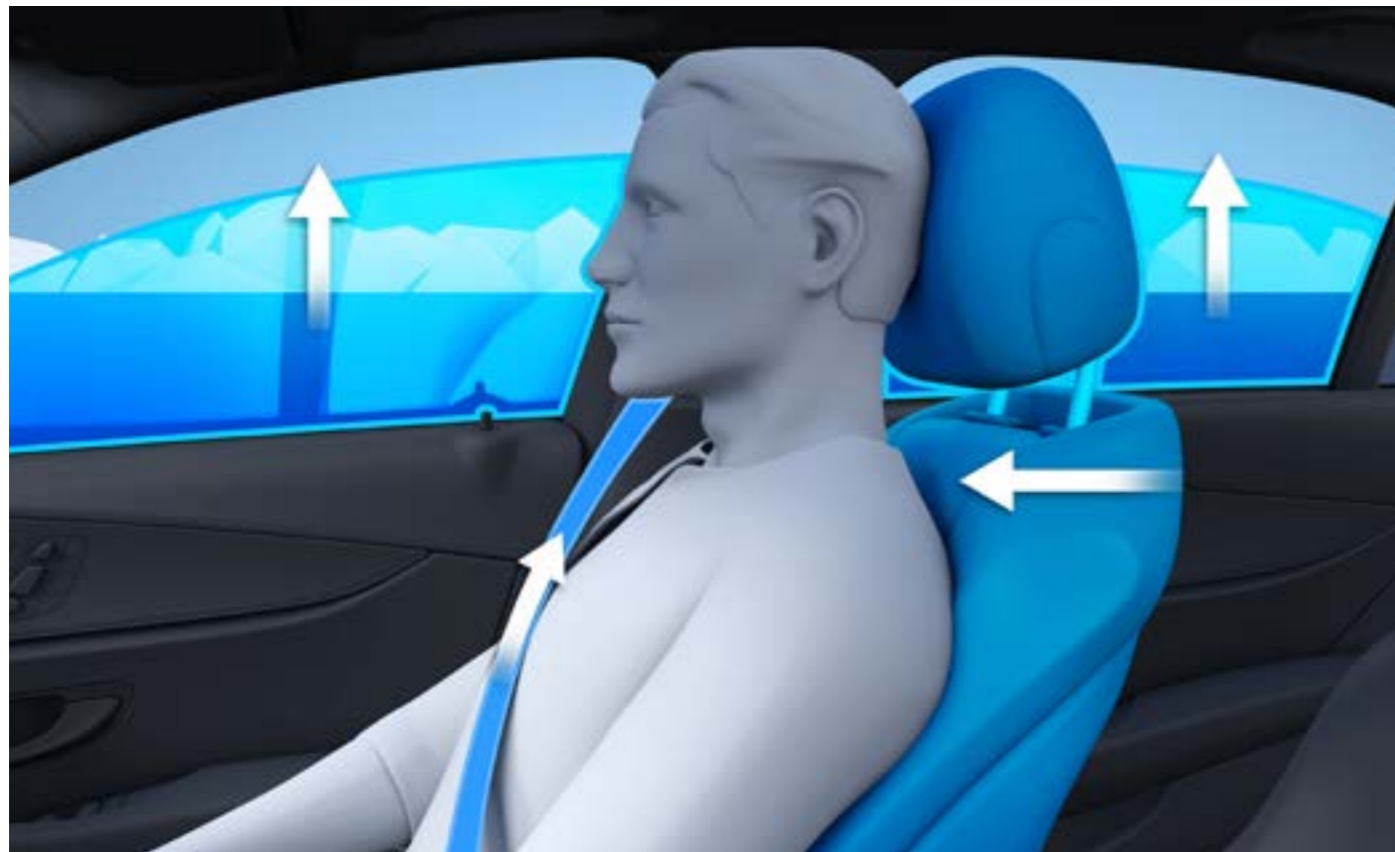


Mercedes-Benz C-Class

Safety

PRE-SAFE®

The PRE-SAFE® system makes use of the time prior to an impending accident on your behalf. A host of measures are able to reduce the stress and strain to which you are exposed. The innovative PRE-SAFE® sound generates a noise from the speakers which is able to trigger a natural protective reflex: this protects the inner ear by damping the accident noise.



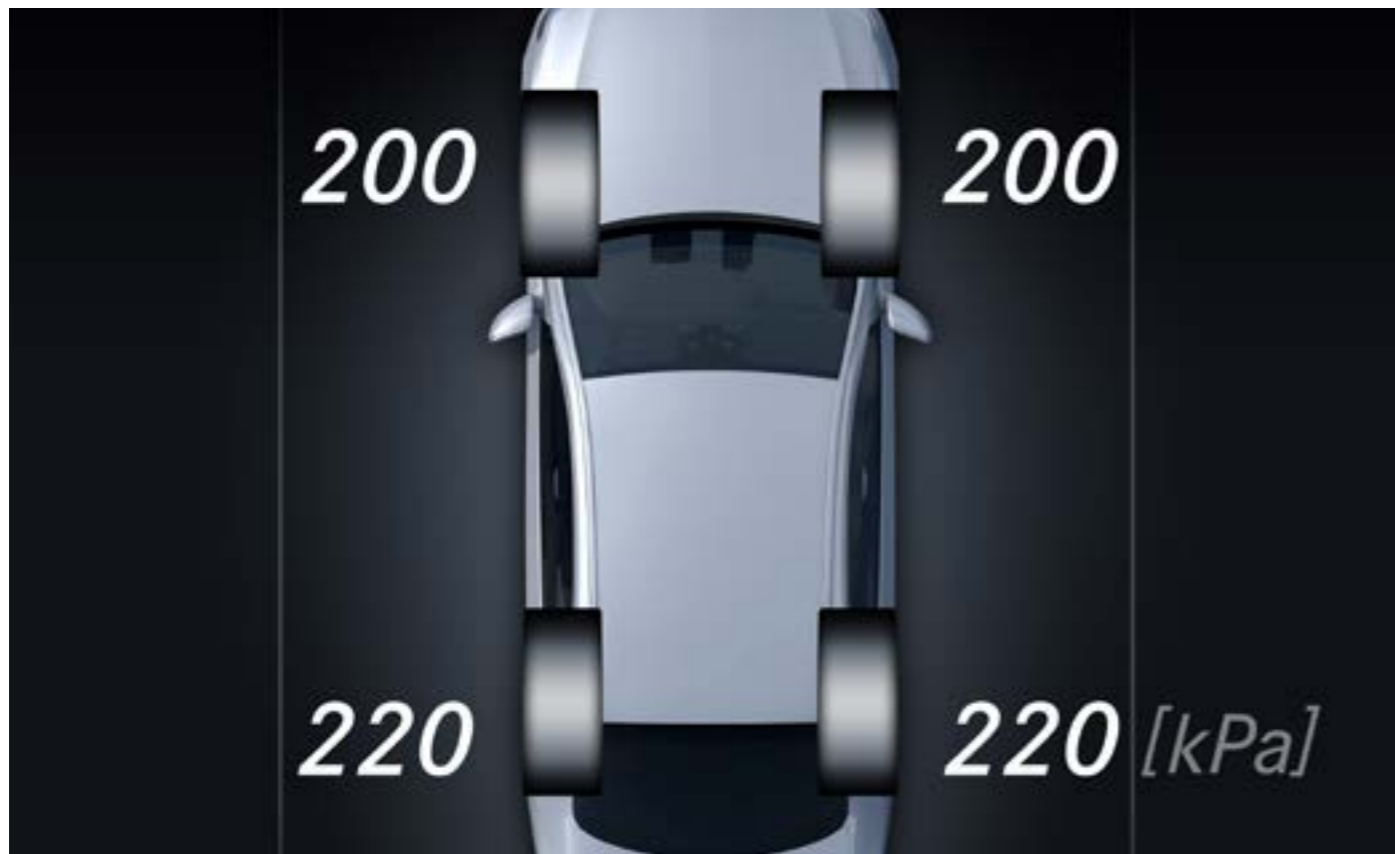
Active Brake Assist

This assistant can help to avoid collisions with moving or stationary vehicles in front, with oncoming traffic when making a turn and with moving pedestrians as well as cyclists. As part of this, in addition to distance and collision warning, the system primarily also offers situation-appropriate braking assistance – right up to autonomous emergency braking.

Active Park Assist with PARKTRONIC

This package offers you versatile support when parking: the Active Parking Assist with PARKTRONIC detects free parking spaces as you drive past. As soon as a parking space has been selected, thanks to the reversing camera, ultrasonic sensors and practical visualizations you can enter a space effortlessly – or have the vehicle parked with assistance.





Tyre pressure monitoring system

The system monitors the tyre pressure for you and provides you with a warning in the event of a drop in pressure. As a result, you can react more quickly to hazardous situations. Insufficient tyre pressure can also result in longer braking distances. When the control system notifies you, you should top up the air quickly. Correct tyre pressure additionally increases the longevity of the tyres.

TIREFIT

A quick, temporary solution in the event of minor tyre damage. Damage caused by driving over nails or glass fragments can be sealed by means of the sealant blown in via the air compressor. You can then drive on as far as the nearest workshop at up to 80 km/h.



Windscreen wipers with rain sensor

The electronically controlled rain sensor thinks for you: The system automatically detects when the windscreen is wet and controls the windscreen wiper interval accordingly – provided this has been activated beforehand. As a result, as a driver you have one less task to worry about when it's raining and can enjoy clear visibility.



Tyre-change toolkit

Paintwork

Obsidian Black



MANUFAKTUR opalite white bright



Cavansite Blue



Mojave Silver

(Available with C 200 and C 220d)



High-Tech Silver

(Available with C 200 and C 220d)



Selenite Grey

(Available with C 200 and C 220d)



Upholstery

(Available with C 200 and C 220d)



ARTICO man-made leather black

Available with:

C 200 – High-Tech Silver

C 220d – High-Tech Silver



ARTICO man-made leather sienna brown

Available with:

C 200 - MANUFAKTUR opalite white bright, Mojave Silver

C 220d - MANUFAKTUR opalite white bright, Mojave Silver



ARTICO man-made leather macchiato beige

Available with:

C 200 – Obsidian Black, Cavansite Blue, Selenite Grey

C 220d – Obsidian Black, Cavansite Blue, Selenite Grey

Upholstery

(Available with C 300d)



ARTICO man-made leather black

Available with:

Obsidian Black



ARTICO man-made leather, two-tone sienna brown / black

Available with:

MANUFAKTUR Opalite White Bright, Cavansite Blue

Trim



Black open-pore aluminium lines wood trim
(Available with C 200 and C 220d)



Metal-weave trim
(Available with C 300d)

Centre Console



Centre Console in high-gloss black

Alloy



43.2 cm (17 inch) 5-spoke light-alloy wheels painted black with high-shine finish
(Available with C 200 and C 220d)



45.7 cm (18 inch) AMG 5-spoke light-alloy wheels aerodynamically optimised, painted black with high-shine finish
(Available with C 300d)

Genuine Accessories

High Sheen Chromed Rear Strip

Is simple to fit using special adhesive tape, whereas refined chrome design door handle recess gives individual look.



Roof Box

The new C-Class combines sportiness and exclusivity. Best companion to transport winter and summer leisure accessories.



Genuine Accessories

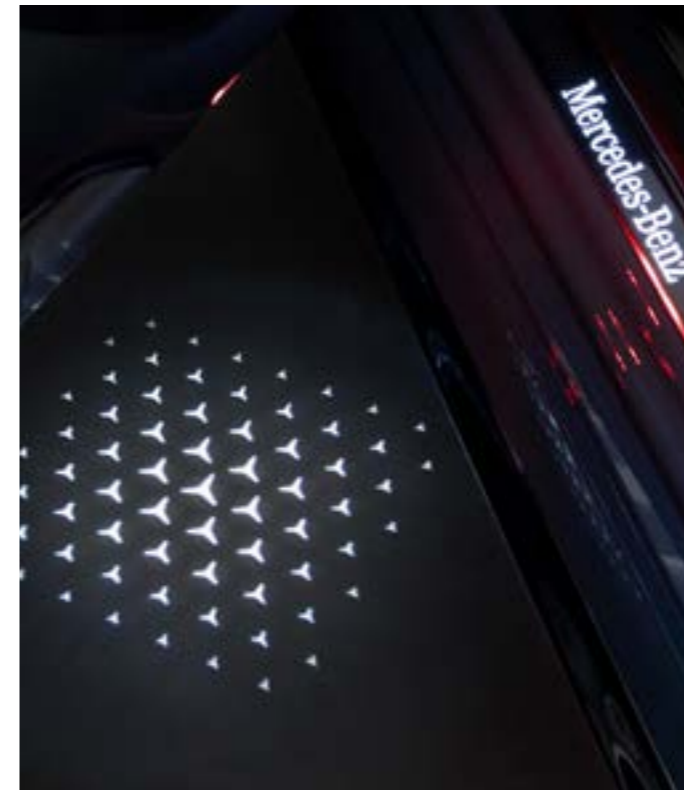
The rear spoiler

Mercedes-Benz significantly boosts the car's aerodynamics and rounds off the sporty design.



New LCD Projector

With Animated Mercedes-Benz Pattern turn every C-Class into a visual highlight before you get in.



Genuine Accessories

Mercedes-Benz Sedan Dashcam Package



- High-resolution recording quality in full HD (also at night)
- HDR technology enables high-contrast images
- Image stabilization
- Video loop recording
- Videos stating location, speed, date and time
- Photo function and voice output
- Parking monitoring function with radar sensors
- Wifi connection for smartphones
- Part No. Q3111302
- Front Camera- A2139055310
- Memory Card- A0009062909
- Electrical Wiring Harness- A2238209505
- Self-Adhesive- A0009899804

*Please read the disclaimer

Hub Caps



Black



Himalaya Grey



Titanium Silver



Matt Black



Chrome

Genuine Accessories

Valve Cap



Coolbox

Perfect companion on any day out. Coolbox can cool up to 5°C, but a max. of 20°C under the outside temperature.

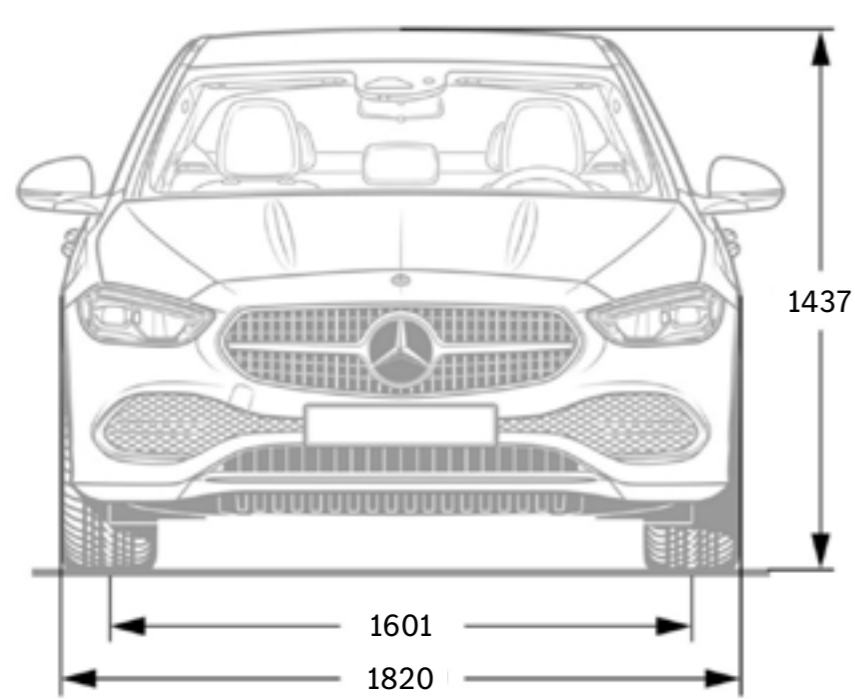


Technical Data

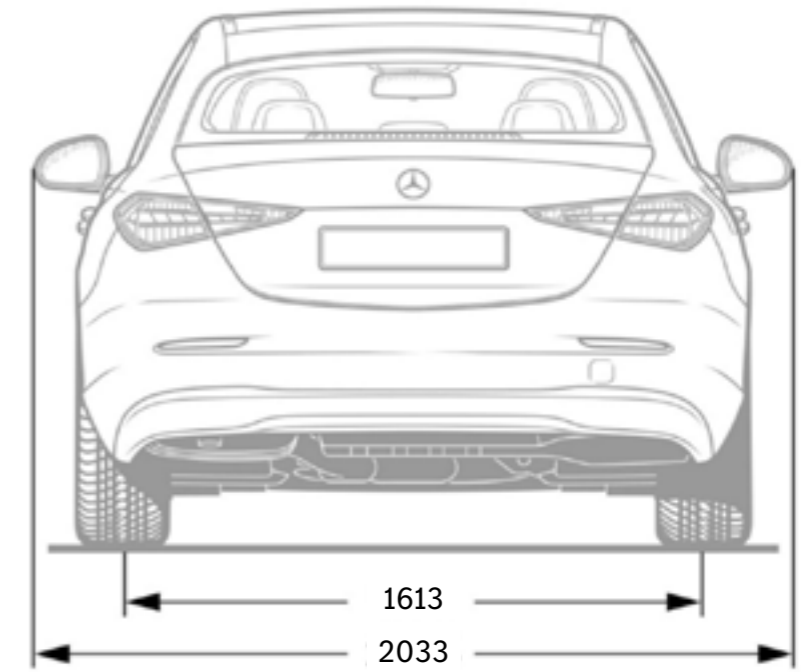
	C 200	C 220d	C 300d
Fuel type	Petrol	Diesel	Diesel
No. of cylinders/arrangement	L4	L4	L4
Total displacement in cc	1496	1993	1993
Rated output in kW (hp) @ rpm	150 (204) @ 5800 - 6100	147 (200) @ 3600	195 (265) @ 4200
Rated torque in Nm @ rpm	300 @ 1800 - 4000	440 @ 1800 - 2800	550 @ 1800 - 2200
Transmission	9GTRONIC	9GTRONIC	9GTRONIC
Acceleration from 0 to 100 km/h in sec	7.3	7.3	5.7
Top speed, approx. in km/h	246	245	250

The integrated starter alternator (ISG) electrically supports the combustion engine in certain operating states with up to 15 kW of additional power and up to 200 Nm more torque. Available in all three variants.

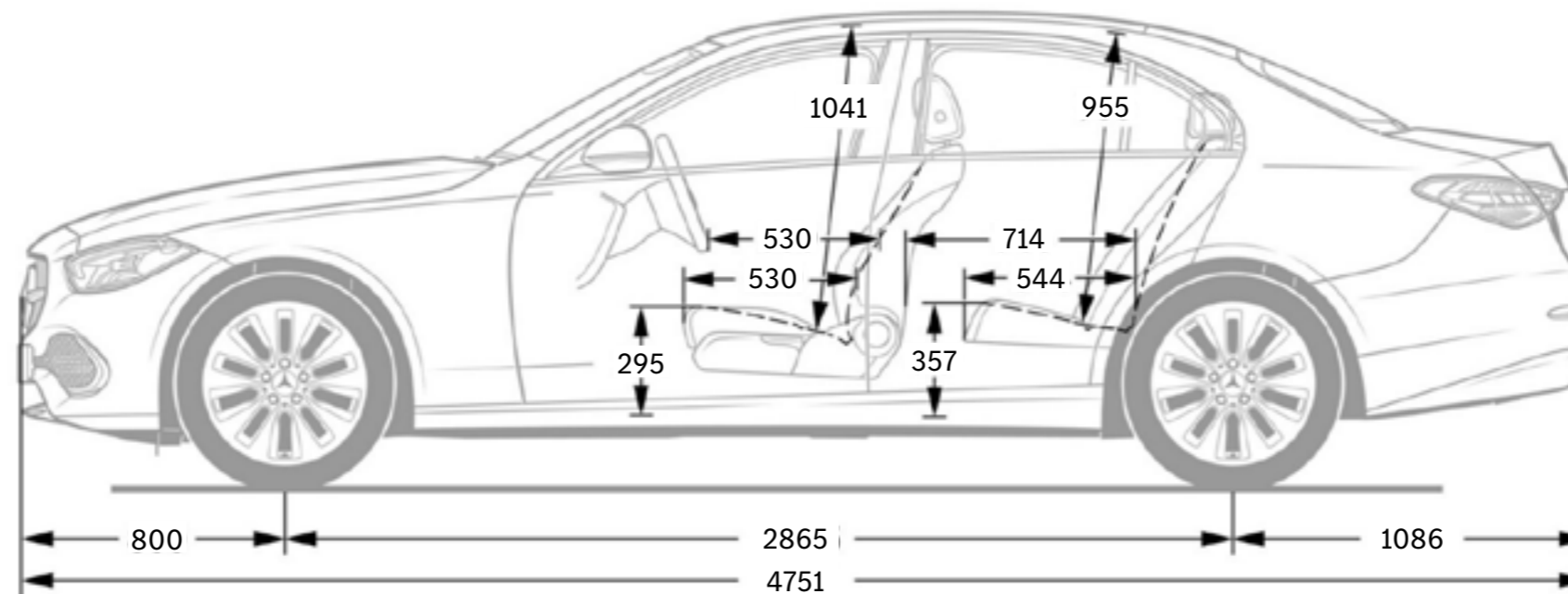
C 200 and C 220d



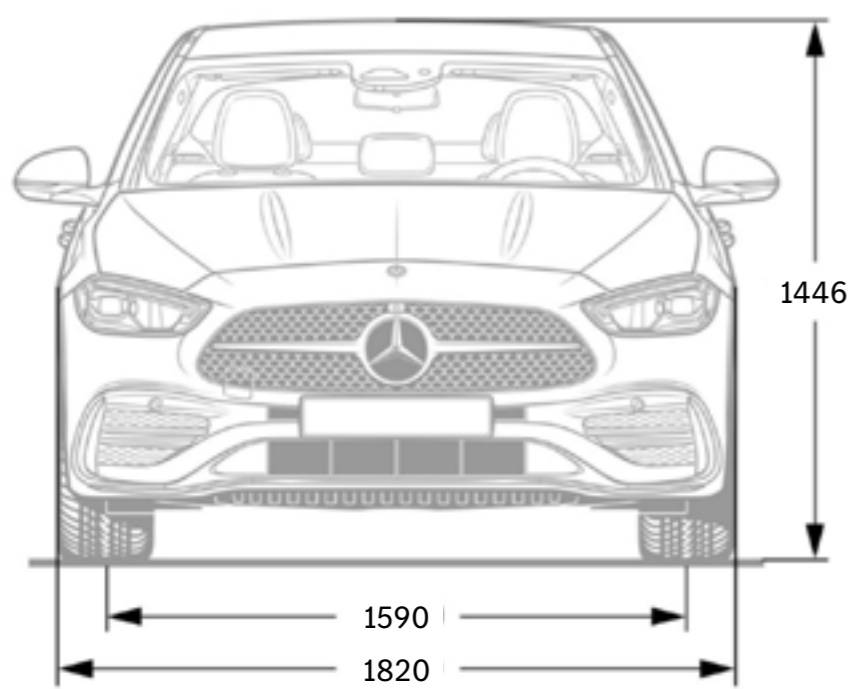
Rear



Side

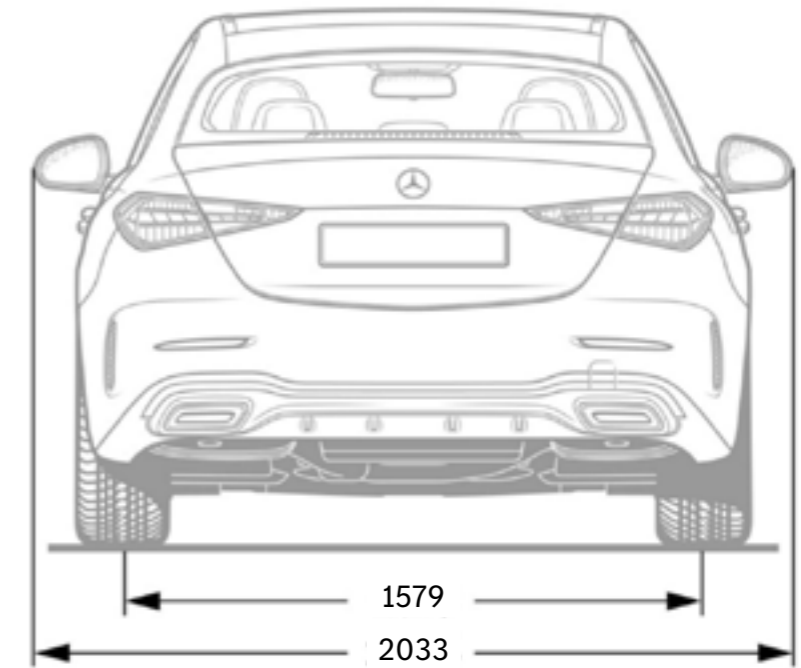


C 300d

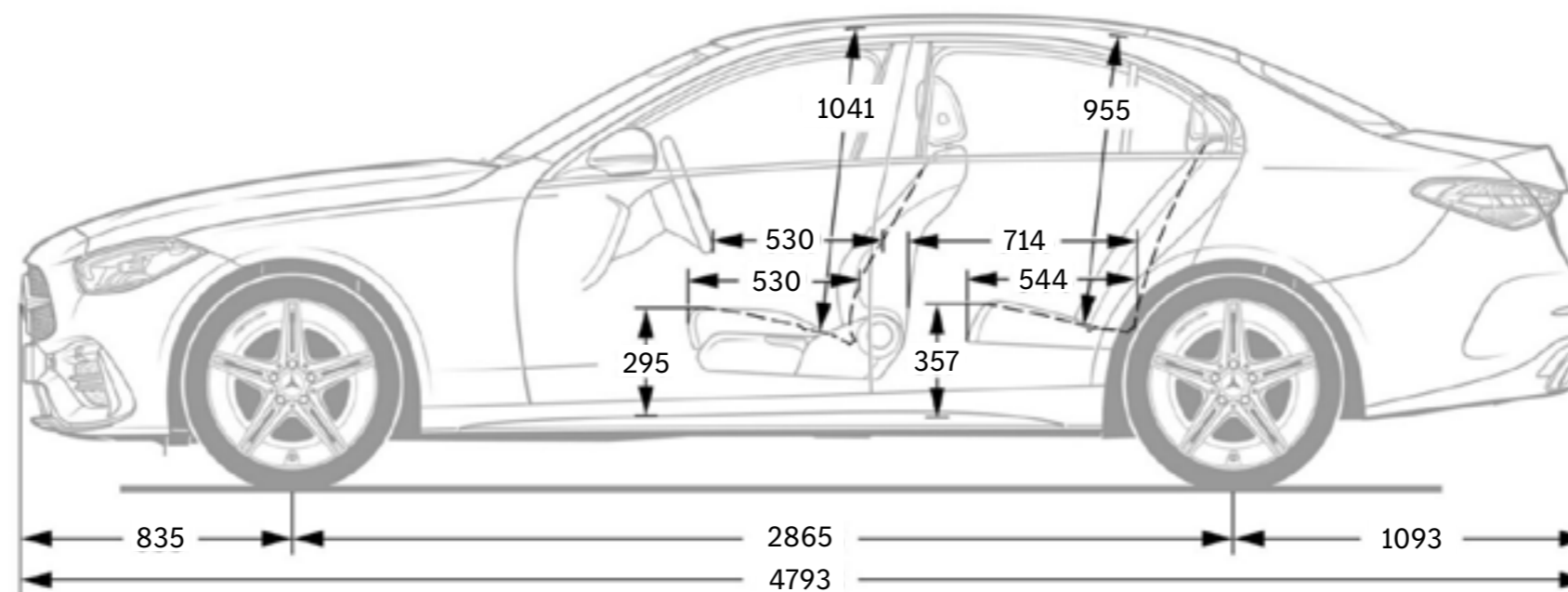


Front

Rear



Side





My Mercedes. My Service

Advance Assurance Program

Extending your warranty coverage

With Advance Assurance Program, experience complete peace of mind. While this Extended Warranty Program kicks in the moment your standard 3 years warranty comes to an end, it can be extended further up to 6 years at a nominal price. Also, it comes with a bouquet of privileges for a worry-free time with your Star.

STAR EASE

Delivering the best-in-class value

Servicing your Star does not get any better than this. With the STAR Ease Maintenance Packages, pay a defined cost of maintenance based on the model, contract period and mileage and say goodbye to spending on service every time. Plus, enjoy exclusive features like priority handling, shorter waiting time and quicker processes.

My Mercedes. My Service

MOBILO

Providing you 24x7 mobility support

Your vehicle comes with Mobilo which provides round-the-clock on-road assistance service. Mobilo comes as a standard for 3 years and can be extended further up to 8 years at a nominal cost. This service offers privileges like vehicle towing facility, replacement vehicle, hotel accommodation, just to name a few.

Digital Service Drive

Ensuring convenience and transparency of service.

Servicing your Star is the last thing you will ever have to worry about. We provide transparent, convenient and hassle-free service. Our customer-friendly service features work around your busy schedule so that you have one less thing to focus upon.





My Mercedes. My Service

Mercedes-Benz Genuine Parts

Now with 2 years* of warranty

Mercedes-Benz Genuine Parts are crafted to the state-of-the-art standards of Mercedes-Benz, protecting your vehicle's performance while maintaining the style, comfort and safety, for the years to come. Also, they come with a warranty of up to 2 years, ensuring you a peaceful ownership experience with your Star.

Premier Express*

Because we value your time as much as you do.

Life gets busy and so we have designed Premier Express, our vehicle care service to help you get in and out quickly. While the visit will be brief, the service offered by our technicians will be comprehensive and complete. All to ensure your Mercedes-Benz is running for miles to come.

My Mercedes. My Service

Mercedes-Benz Approved Tyres and Rims

Ensuring every ride is a safe and joyful one

Maximise the safety and comfort of your Star with Mercedes-Benz approved tyres and rims. While the Mercedes-Benz approved tyres are designed to optimally match your car's performance, the Mercedes-Benz approved rims are designed to lend an exceptional style to the exterior of your Star and are also engineered for optimal performance.

Mercedes-Benz Genuine Chemical Products

Because your Star deserves nothing but the original

Mercedes-Benz Genuine Chemical Products are specially tested for compatibility with the materials in our cars and meet the high quality standards. Also, our products have been approved under Mercedes-Benz Group AG's strict, self-imposed environmental norms. Now with Mercedes-Benz Genuine Chemical Products, experience a whole new world of superior products that support throughout the car's life cycle.





Mercedes-Benz India Private Limited: E-3, MIDC Chakan - Phase III, Chakan Industrial Area, Kuruli & Nighoje, Tal: Khed, Pune - 410 501 (India) Toll free No.: 0008000501888. e-mail: cs.ind@cac.mercedes-benz.com, website: www.mercedes-benz.co.in Please note: This brochure is intended for general information, description and illustration of the Product including optional functions and equipment and may not be specific to a Product since specification of a product may change from time to time. Optional features, functions and equipment etc. may not be present in the Standard or Variant Product or Special Edition Product. Further, Standard specifications of a product may also vary from time to time. Colours may differ from those shown in pictures in the brochure. Mercedes-Benz India reserves the right to make changes without prior notice, in design, colours, materials, components, equipment, specifications, features, functions, make and models etc. The information given in this brochure shall be regarded as accurate at the time of launch and may vary thereafter due to any developments or any other reason. Interested customers should reach out to the Authorised Franchise Partner for further information on the exact specifications, features of the product.

Images shown are for representation purposes only. Some of the vehicles in the Brochure are left hand drive wheel. However, Mercedes-Benz India only manufactures and sells vehicles as per the applicable motor vehicle regulations in India. All vehicles sold by Mercedes-Benz Authorized Franchise Partners shall be with right hand drive wheels only. All title, ownership rights and intellectual property rights in and relating to this brochure/magazine or publication material or any copies thereof including but not limited to copyright, logos, names, trademarks, service marks, design, text, images, links, concepts and themes are owned by Mercedes-Benz Group AG and/or its subsidiaries collectively or used under authorised license by the Mercedes-Benz Group AG. Any reproduction, transmission, publication, performance, broadcast, alteration, license, creation of derivative works or other use in whole or in part in any manner without the prior written consent of Mercedes-Benz India Pvt. Ltd is strictly prohibited. Please note that certain services are offered free of cost for a period of three (03) years and may be chargeable at the expiry of three (03) years from the date of activation of such services. If you wish to continue using those services, you may renew the same through Mercedes Me Store (as and when it is available). Please get in touch with your preferred Franchise Partner for more details. Mercedes-Benz cars: The C-Class meets Bharat Stage VI equivalent emission norms.
CIN - U34102PN1994PTC083160