



MASERATI

QUATTROPORTE







MASERATI, ELEGANCE AND LUXURY IN STYLE

Every Maserati is like a work of art, its perfection expressing the marque's proud history: unmistakable styling and technological innovation, enhanced by the experience and success of the Maserati Corse racing team.

Maserati means passion, innovation and the eternal quest for perfection. It is also a key part of Italy's long and illustrious automotive tradition. A combination of Italian craftsmanship and groundbreaking technology creates cars in which performance can be experienced to the full for the ultimate in motoring pleasure.





PRESTIGE EVER NEW

1963 saw the first appearance of a car whose name, Quattroporte, was to become synonymous with the concept of the high-performance luxury saloon. At the Turin Motor Show the "Tipo 107", designed by Pietro Frua, first revealed to the world what could be achieved by combining the character of a sports car with the comfort and space of an executive limousine.

Today, exactly fifty years after its first incarnation, Maserati's new flagship exhibits all the same groundbreaking innovation and technological superiority – the perfect combination of elegance and power.



EXCELLENCE ON THE ROAD

In the new Maserati Quattroporte, the soul of the luxury saloon and the pedigree of the classic grand tourer are balanced to perfection, creating a truly unique and exclusive car. Its modern design is simply breathtaking, with elegant and timeless contours enveloping a roomy, comfortable interior where, in the finest traditions of Italian craftsmanship, only the highest quality materials are used.

Power comes via two thrilling new-generation engines. The new 530 CV 3.8 litre twin-turbo V8 is the most powerful in the entire Maserati range, whilst the versatile 3 litre twin-turbo V6, which produces 410 CV, is available with either rear-wheel drive or Q4 four-wheel drive.* These engines lead their class in terms of efficiency and performance, and feature numerous technological innovations to make driving a Maserati Quattroporte an unforgettable experience.



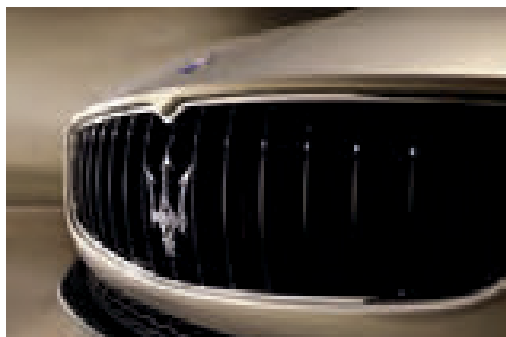
A TYPICAL ITALIAN ATTRACTION

On all levels, the Quattroporte is an impressive car, but its design is absolutely outstanding. Although generous in size, Maserati's latest creation is a worthy successor to its forebears, retaining a streamlined, balanced and dynamic appearance.









The starting point of this unmistakable masterpiece is the distinctive front. The traditional Maserati oval grille, with convex vertical slats, pays homage to one of the marque's icons of style, the Berlinetta A6 GCS. The majestic bonnet features new front light assemblies with LED daytime running lights that help make the car so distinctive. The headlights merge seamlessly into the line of the car's sides, which start from the familiar three air vents behind the front wheels and continue in a sequence of muscular curves to the new rear light clusters. The triangular C-pillar, which features the iconic Saetta logo, is another obvious link to tradition and an uncompromising expression of the model's innate sporting character. In addition, the three narrow windows with frameless doors give the car the look of a sleek coupé.





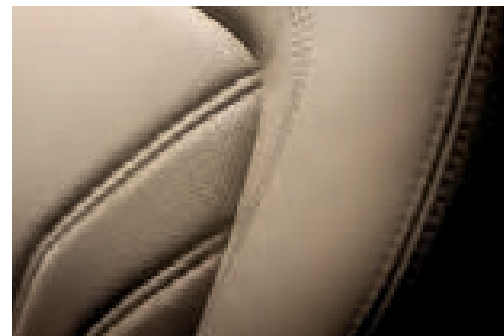


The parking lights provide a frame for the wraparound rear lights: consisting only of LEDs, these integrate perfectly with the design of the rear bumpers and are joined together by a chrome-plated central trim that echoes the design of the radiator grille. Another sporty touch that's unique in a car of this class is the integral boot spoiler, which generates downforce at high speeds.



YOUR RESERVED PLACE EVERYWHERE

The interior is the epitome of Italian design, featuring Poltrona Frau® leather, fine wood, and hand-crafted stitching. The sleek lines of the dashboard, the central tunnel and the doors envelope all onboard in an atmosphere of complete luxury.









The dashboard is divided into three levels, with a broad central band across the entire width of the car to enhance the impression of spaciousness. The intuitive controls are then subtly positioned so as not to detract from the overall design of the interior. In the middle of the dashboard, the large 8.4" Maserati Touch Control screen is the access portal for the latest in entertainment technology and controls many of the car's functions in a user-friendly manner. Meanwhile, the driver's controls are operated by a cluster of buttons on the central tunnel, beside the gear lever.





In the driving seat, there is a feeling of total confidence and command. The ergonomic three-spoke, leather-clad steering-wheel features buttons that operate the main multimedia functions, and also sports brushed aluminium gearshift paddles. Behind this is a simple but striking instrument panel. The large speedometer and rev-counter have elegant white backlighting and are separated by a 7" TFT display that shows the car's dynamic data.









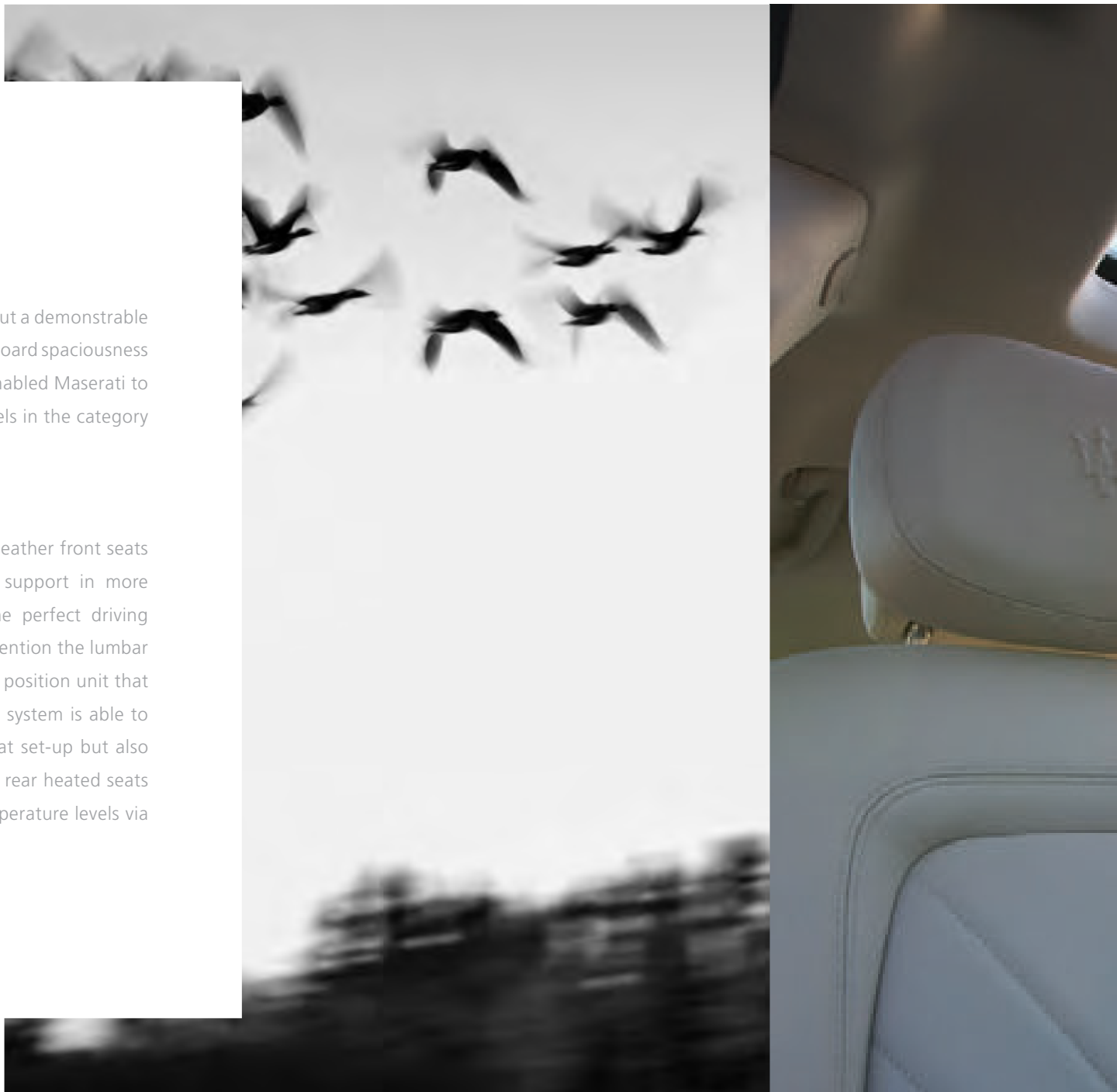
Detail and quality are taken to new heights inside the Quattroporte in order to create the feeling of opulence and luxury. A prime example of this is the mood created during night-driving: a fibre-optic cable runs along the dashboard and doors, providing the sort of subtle lighting to be found in an exclusive hotel lounge.

Unprecedented space

Inside the Quattroporte, comfort is not a subjective impression but a demonstrable fact, thanks to the special attention that has been paid to the onboard spaciousness and the arrangement of the seats. The longer wheelbase has enabled Maserati to offer rear passengers a degree of legroom that few other models in the category can match, as well as a larger luggage capacity.

Front seats

With their ergonomic, wraparound design, the Poltrona Frau® leather front seats offer outstanding comfort, combined with excellent lateral support in more spirited driving situations. The all-electric system ensures the perfect driving position in terms of height, reach and seatback angle, not to mention the lumbar support system with four different settings, and the new pedal position unit that is operated by a control at the front of the driving seat*. This system is able to memorise two settings, which include not only the driver's seat set-up but also the steering wheel, pedal and door mirror positions. Front and rear heated seats are standard features, with heating that can be set to two temperature levels via





the Maserati Touch Control display in the middle of the dashboard. The seats are also ventilated, with the central part of the seat and back upholstered in perforated leather.

Rear seats

The new Quattroporte is an exceptional car, not only to drive but also to be driven in. Particular attention has been focused on the occupants of the rear seats who enjoy 105 mm more legroom than in the previous model. The standard version comes with a comfortable rear bench seat for three people, complete with a central armrest that contains two fold-away cup-holders and a USB dock for charging mobile devices. Alternatively, as an option, the car can be specified with two ventilated, electrically adjustable single seats for the ultimate in relaxation on long journeys. The seats are divided by a central console that is finished in the same high-quality materials as the rest of the interior and which features a USB dock and 12V socket for charging mobile devices. Underneath the arms there's a roomy compartment with two cup-holders.

STATE OF THE ART TECHNOLOGY

The new Quattroporte means exhilaration and enjoyment for both driver and passengers alike, thanks to Maserati's overwhelming passion for engineering innovation and excellence. The engine, chassis, transmission and suspension all combine in perfect harmony to deliver the very highest levels of performance and comfort - qualities for which Maserati's flagship is world famous.





V8 Twin Turbo

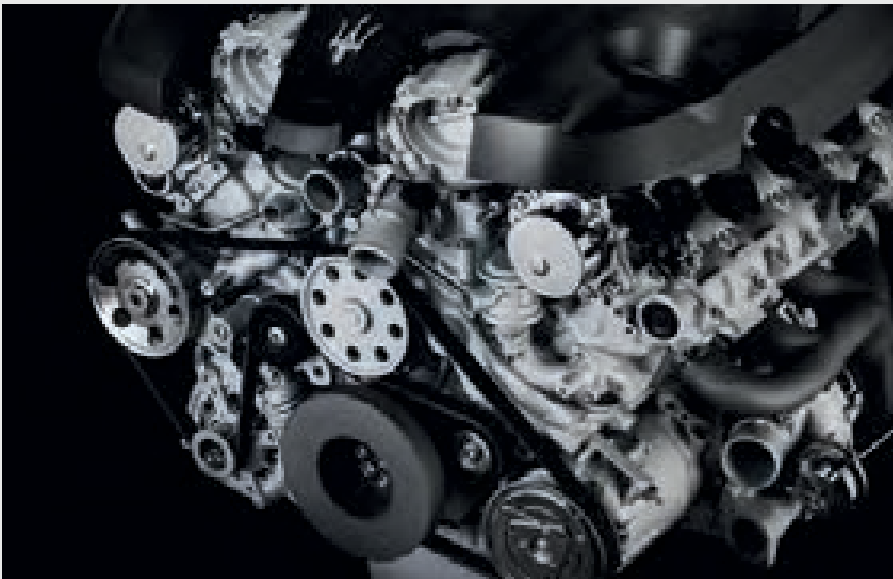
That inspirational bolt of lightning

Maserati has always been famed for its innovative engine design – a tradition that is maintained in the Quattroporte's new 3.8 litre twin-turbo V8. Its long list of innovations and refinements make this the most high-tech powerplant ever installed in a Maserati car.

Using the classic 90° V configuration, Maserati Powertrain's engineers have built a brand new engine capable of producing 530 CV (390 kW) at 6,800 rpm and 650 Nm of torque between 2,000 and 4,000 rpm. With the Sport mode overboost function, peak torque can be increased to 710 Nm between 2,250 and 3,500







This new family of Maserati engines has been designed around smaller displacements to reduce weight and further enhance the car's performance and handling. Another distinctive feature is the high pressure (200 bar) direct fuel injection system, which improves combustion by injecting the atomised fuel straight into the combustion chamber. Additional groundbreaking engineering features include the adoption of two continuous phase timing variators on both high-turbulence heads. These are able to advance or delay the intake and exhaust valve timings independently in real time. Three engine modes can be selected: Normal, Sport and the new I.C.E. (Increased Control Efficiency). This option, developed to reduce fuel consumption, emissions and noise, disables the overboost function and delivers a more measured throttle response, for smoother driving.

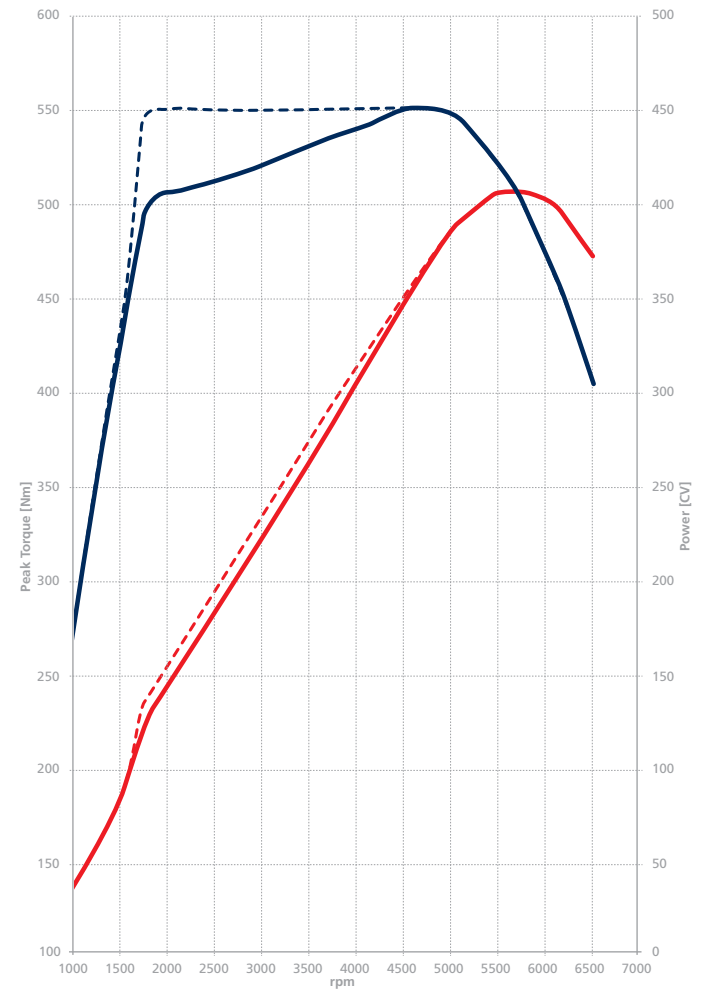
3.0 Twin Turbo V6 engine

Power always at hand

The 3.0 Twin Turbo V6 has the same unmistakable sports pedigree as the V8 engine, and also shares most of its key components. It has the same bore and combustion chamber design, and the valve control and direct injection technology is also unchanged. The approach to the turbocharger system is identical, too, with two intercoolers mounted low down and some distance away from the main radiators to ensure a constant flow of cold air.

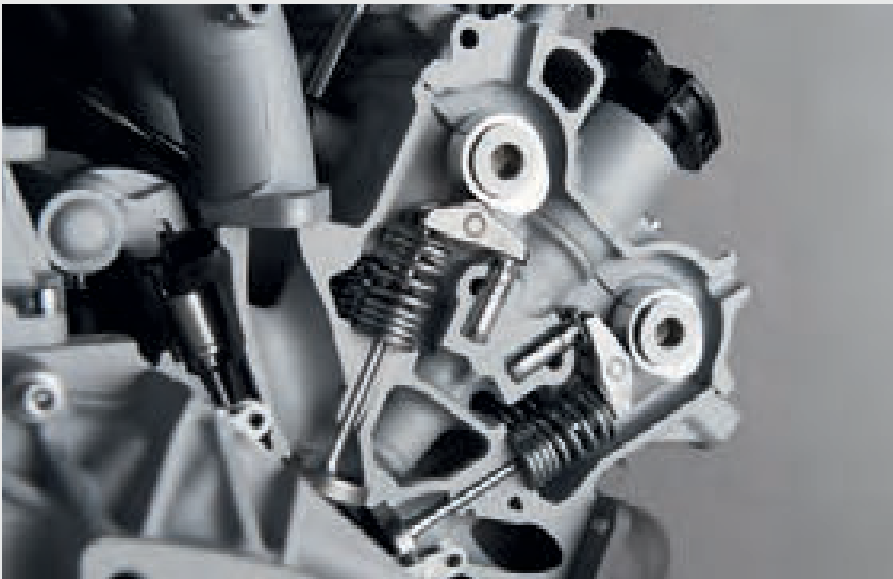


Extremely versatile, the V6 can also be combined with the innovative Q4 four-wheel drive system (left-hand drive cars only), which develops 410 CV (301 kW) at 5,500 rpm. In Sport mode, peak torque of 550 Nm is reached at just 1,500 rpm. Amazingly, a specific torque figure of 183 Nm per litre is achieved, which is actually higher than that of the V8. This ensures an immediate response that delivers an instant reaction at the slightest flexing of the right foot.



— 3.0L Torque
— 3.0L Power
- - 3.0L Torque / Overboost
- - 3.0L Power / Overboost





The Quattroporte V6 Twin Turbo accelerates from 0 to 62 mph in 5.1 seconds, whereas with four-wheel drive this drops to 4.9 seconds. The top speeds are 177 mph (two-wheel drive) and 176 mph (four-wheel drive).

Exhaust and bypass valve system

Placing the turbines in the exhaust manifolds has enabled Maserati's engineers to develop a compact, lightweight exhaust system which, as on all Maseratis, includes an air valve system capable of adding extra verve to the Quattroporte's highly distinctive personality. In I.C.E. and Normal modes, the valves remain closed up to 5,000 rpm and 4,200 rpm respectively, keeping the engine sound discreet and understated. However, when the Sport button is pressed, the bypass valves open permanently, releasing a thrilling, powerful roar.





The automatic transmission

The sophisticated construction of the eight-speed ZF automatic gearbox delivers precise gearchanges and exceptional performance, together with impressive weight savings: the new 8-speed transmission is actually 4 kg lighter than the 6-speed version in the previous Quattroporte. The last two gears of the automatic transmission have been specifically developed to reduce fuel consumption and increase comfort on long, high speed journeys. The hydraulic gearbox is assisted by auto-adaptive software that is now standard on all Maserati models. This is able to recognise both the way the car is being driven and the road conditions, and adapt the gear changing mode accordingly. There are five operating modes, selected using the buttons by the gear lever: Auto Normal, Auto Sport, Manual Normal, Manual Sport and the new I.C.E. (Increased Control Efficiency).

Auto Norm AI mode

This preset mode provides smooth gearshifts at low revs to maximise comfort and minimise fuel consumption. When a more sporty style of driving is recognised, upshifts automatically take place at higher engine speeds.

Auto Sport mode

The gearshifts occur more quickly and at higher revs for a much more sporty driving experience.

mANuAI Norm AI mode

The driver can change gear using the paddles behind the steering wheel or the lever on the central tunnel. The system automatically shifts up a gear as the maximum engine speed approaches, and shifts down in the same way.



mANuAl Spor t mode

The driver has full control of the transmission: gearshifts are quicker and sharper, and the engine can be pushed to the limit with no interference from the system. The only automatic feature is downshifting if the revs drop too low.

I.C.E. mode

Developed not only for use in icy conditions, this mode is intended to ensure an even quieter, smoother ride, and also a reduction in fuel consumption. In I.C.E. mode, gearshifts take place automatically and are almost unnoticeable, for unrivalled comfort.



Frame and chassis

In the new Quattroporte, spaciousness and agility prove to be surprisingly compatible. In spite of the long wheelbase – the longest in its class – the Maserati Quattroporte still offers the kind of outstanding handling for which the marque is famous, together with levels of driving pleasure normally associated with much smaller models. This is made possible partly by the car's optimal weight distribution, but this is not the only reason. In the V8 version, the new Quattroporte is almost 100 Kg lighter than the previous model. The new design frame, constructed around a rigid steel safety cell, is made largely from aluminium, whilst special stiffening cross members ensure outstanding torsional rigidity.

Suspensions

Like every Maserati, the Quattroporte has an extremely sophisticated suspension set-up, which is combined with the latest version of the Skyhook electronic system, with new shock absorbers featuring continuous damping variation. The aluminium arms of the double-wishbone front suspension are higher up for more precise handling, whilst the five-arm multilink system at the rear is ideal for delivering supreme ride comfort along with sports-like performance. A unique feature of the Quattroporte is the choice of two different Skyhook settings. The basic setting prioritises comfort whereas, for more dynamic handling, the driver just presses the suspension button on the central console and the shock absorbers immediately stiffen, thus significantly reducing load transfer during sporty driving.

Braking system

The new Quattroporte's Brembo brake system benefits from innovations already introduced on other models in the range. It now incorporates developments designed to deliver quieter operation but with no loss of efficiency. Dual-cast discs (which Maserati was the first to use) combine the strength of cast iron with the lightness of aluminium to help reduce the unsprung mass. Braking power is provided by efficient monobloc callipers, with six pistons at the front and four at the rear acting on ventilated, grooved discs. On the V8, the front discs are 380 mm x 34 mm, whereas on the V6 versions they are 360 mm x 32 mm. At the rear, all versions feature 350 mm x 28 mm discs.

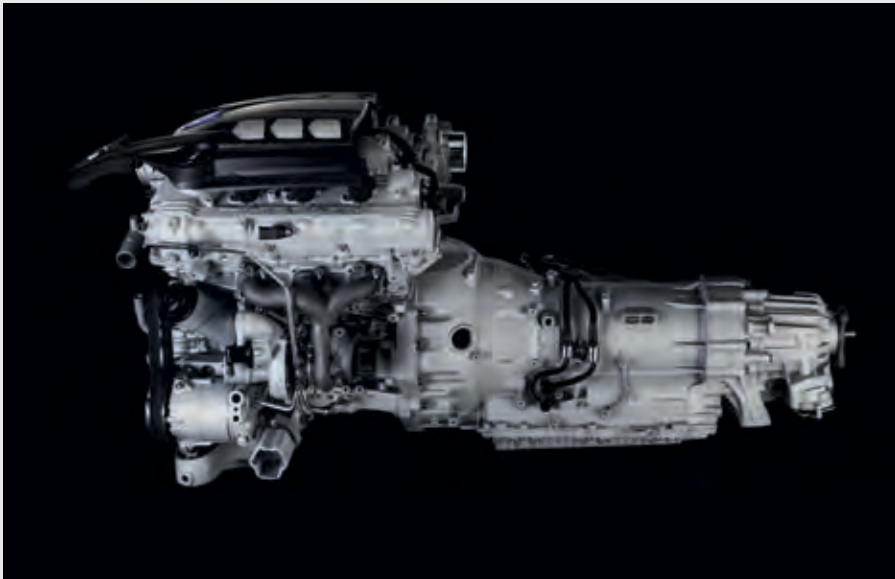




Steering

Steering sensitivity is fundamental in giving the driver the right “feel” at the wheel. Instead of an electrohydraulic system, Maserati has equipped the Quattroporte with a servo-assisted hydraulic system to channel an immediate response direct to the driver’s hands, with no annoying impression of artificial “help” when cornering at high speed. This precision is further enhanced by a new aluminium steering box, specifically developed to suit the front suspension layout.





Transmission

The transmission layout places the automatic gearbox in the front of the car: a two-section articulated driveshaft transmits the drive to the rear wheels by means of a limited-slip mechanical differential, with an asymmetric locking function that ensures locking of 35% during traction and 45% during release.

4WD for sports car performance

The Quattroporte is the first car in Maserati's history to feature four-wheel drive. This delivers enhanced driving pleasure, along with superior levels of safety and grip on all road surfaces, whatever the conditions. The four-wheel drive system in question is compact, lightweight and "active", and has been designed for optimal traction, torque, comfort and fuel consumption.

Compact size, efficacy and efficiency are the main characteristics of the Q4 four-wheel drive system. To provide the driving "feel" that's typical of a Maserati with rear-wheel drive, the intelligent control system continually varies the drive torque distribution over the four wheels by monitoring a vast series of parameters.



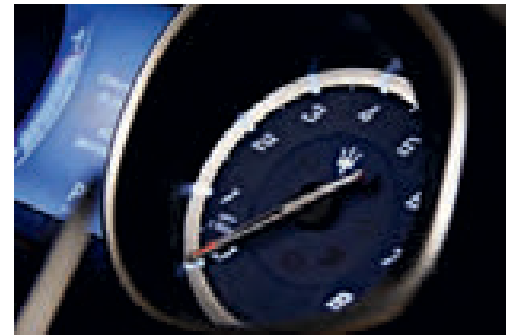


In normal conditions, 100% of the traction force is sent to the rear wheels, but if the road surface turns slippery and grip starts to be lost, the system instantaneously (in just 150 milliseconds) transfers the necessary drive to the front wheels - up to the point where the torque is evenly shared between the two axles. What's more, the system operates in conjunction with the MSP electronic stability control to ensure sports car-like handling, together with outstanding safety on slippery road surfaces.

When the car is on the move, a sophisticated algorithm, developed by Maserati, processes the car's dynamic parameters in real time (wheel slip, steering angle, yaw angle, power output, speed, ABS and other ESP dynamics). It also analyses factors relating to the wheels' grip on the ground, and others relating to the way in which the car is being driven. All this information allows maximisation of the traction profile for each wheel, giving optimal dynamic balancing of the car's handling in wet or icy conditions.

SOMETIMES CONFIDENCE IS NOT JUST A SENSATION

The Maserati Quattroporte is built with loving care by dedicated individuals. However, at the same time it is also the product of high-tech processes that set new standards in the world of automotive manufacture. This combination of man and machine allow the very highest levels of quality and safety to be achieved – factors which play a crucial role in providing the driver with satisfaction and peace of mind.





ACTIVE SAFETY

Maserati Stability Program (MSP)

The Maserati Stability Program (MSP) is an advanced electronic control system which, if the vehicle begins to skid, reduces torque from the engine and activates the brakes to stabilise it in just a few milliseconds. The system combines a number of devices including ASR, which reduces wheelspin and improves traction, and MSR, which prevents wheels from locking up when changing down suddenly. ABS and EBD monitor the car's braking, stopping the wheels from locking and distributing the braking force between the front and rear axles. A Brake Apply Sensor (BAS) then recognises emergency stops and boosts the pressure in the hydraulic circuit for the ultimate in stopping power.

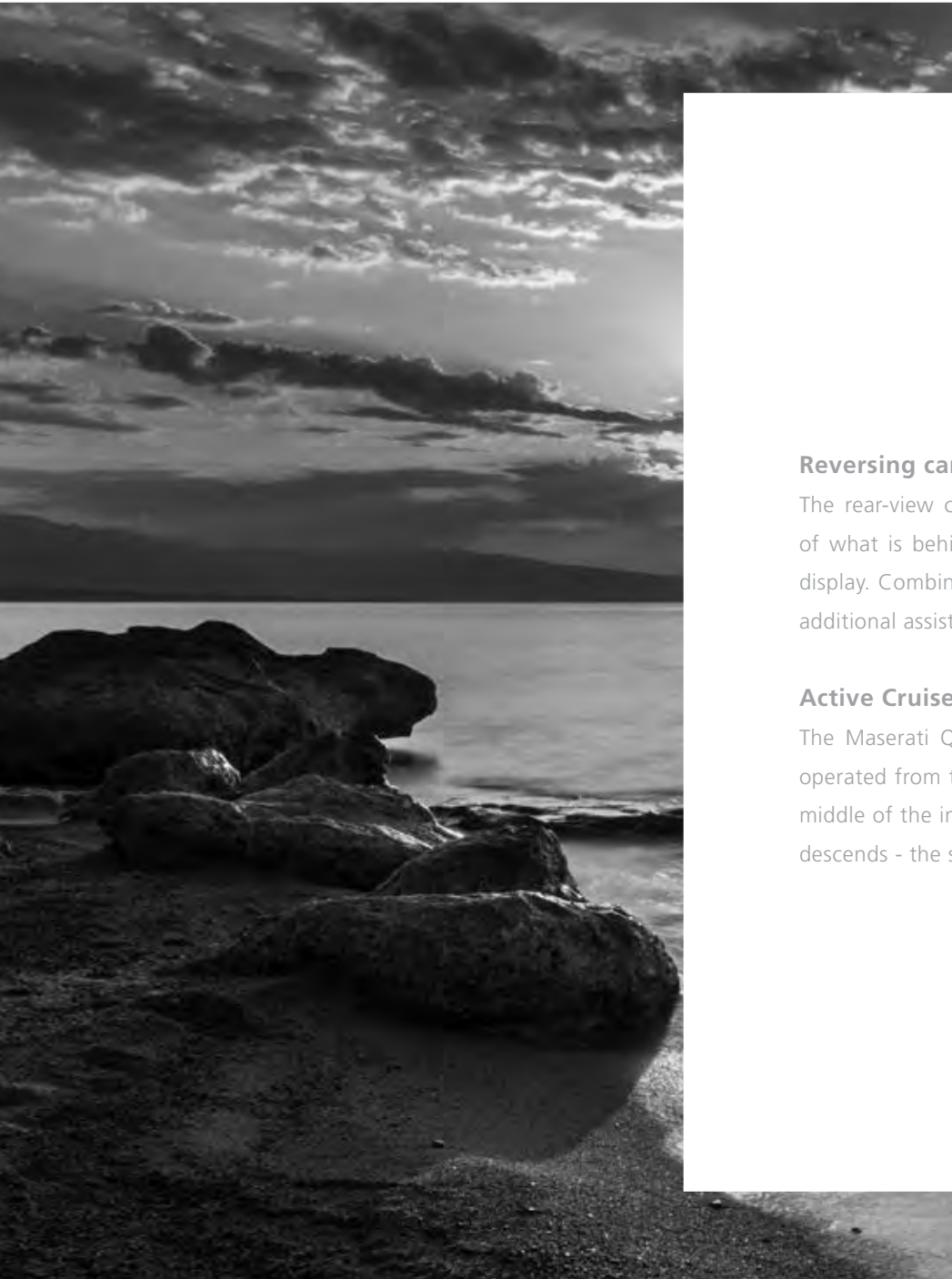
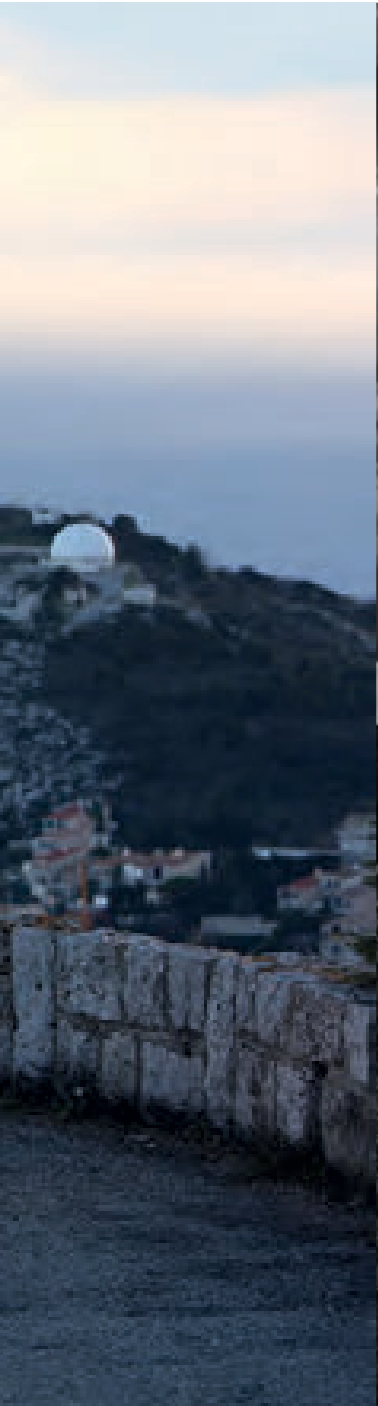
Parking sensors

To assist with manoeuvring in tight spaces, the Maserati Quattroporte comes equipped with parking sensors housed in the front and rear bumpers. Beeps increase in frequency as the obstacle approaches, whilst the TFT display in the centre of the instrument panel shows the car surrounded by symbols which light up in green, yellow or red depending on the remaining distance.









Reversing camera

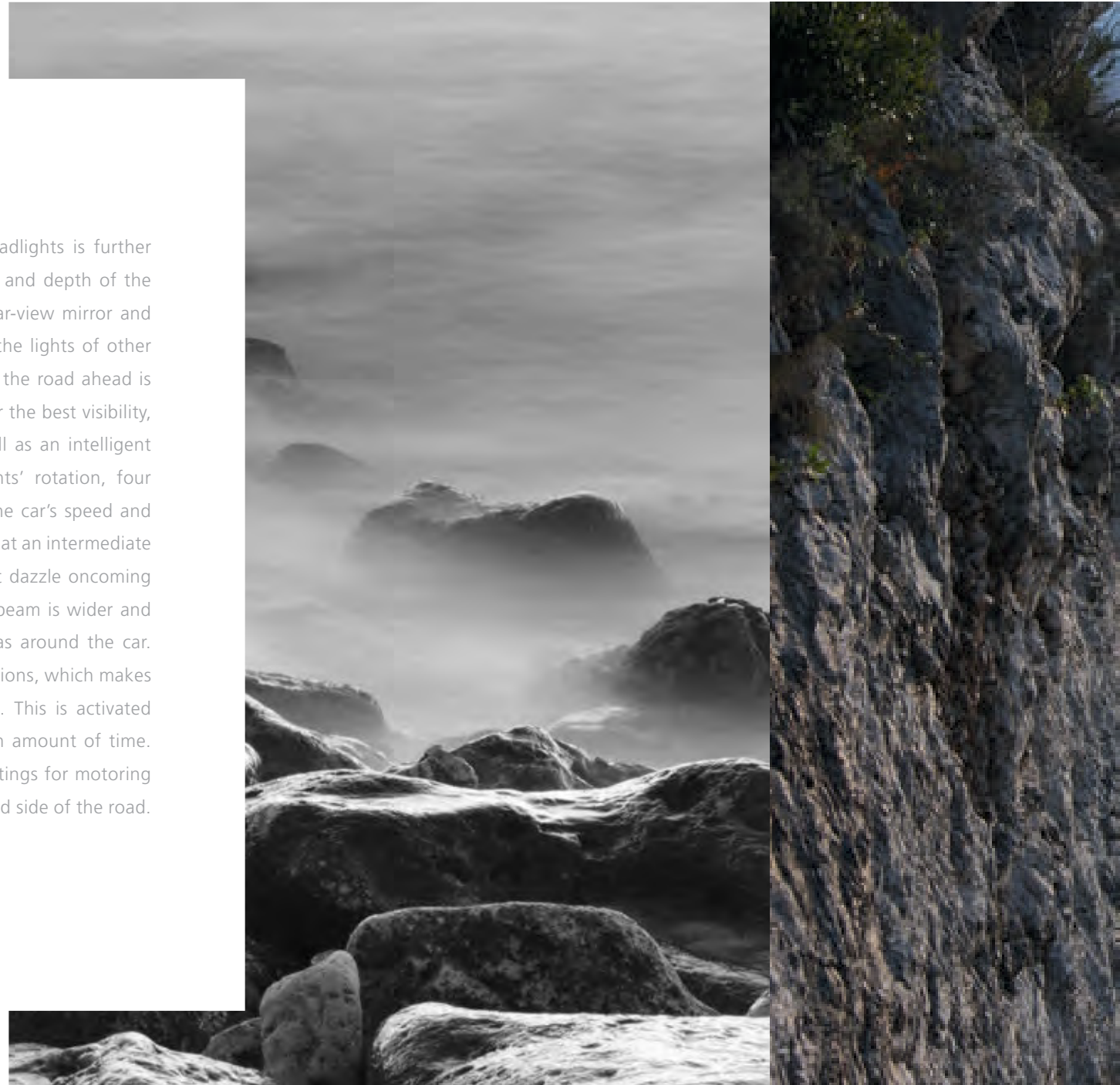
The rear-view camera, fitted close to the boot-opening controls, shows views of what is behind the car on the dashboard-mounted Maserati Touch Control display. Combined with the signals from the rear parking sensors, these provide additional assistance when reversing and manoeuvring.

Active Cruise Control

The Maserati Quattroporte also comes with an Active Cruise Control system, operated from the steering wheel. The set speed is shown on the display in the middle of the instrument panel and is maintained even when the road climbs or descends - the system makes the car accelerate or decelerate accordingly.

Adaptive Front Lighting System (AFS)

The outstanding lighting provided by the bi-Xenon front headlights is further enhanced by the AFS, which automatically adjusts the width and depth of the beam. This is made possible by a camera mounted in the rear-view mirror and sensors that monitor several different parameters, including the lights of other road users, the car's speed, and the way it is being driven. If the road ahead is empty, the beam expands to its maximum width and depth for the best visibility, with no need to switch manually to full beam mode. As well as an intelligent beam control that works in combination with the headlights' rotation, four different headlight settings can be selected. Depending on the car's speed and driving conditions, the motorway driving setting fixes the beam at an intermediate height, which is slightly higher than normal but still does not dazzle oncoming traffic. When driving in town, at speeds below 28 mph, the beam is wider and shallower for better lighting when cornering and in the areas around the car. There is then a specific setting for rain and poor visibility conditions, which makes the car more visible to other drivers – with wider sidelights. This is activated when the windscreen wipers have been running for a certain amount of time. Finally, the Maserati Touch Control can alter the headlight settings for motoring in different countries: driving on either the right or the left hand side of the road.

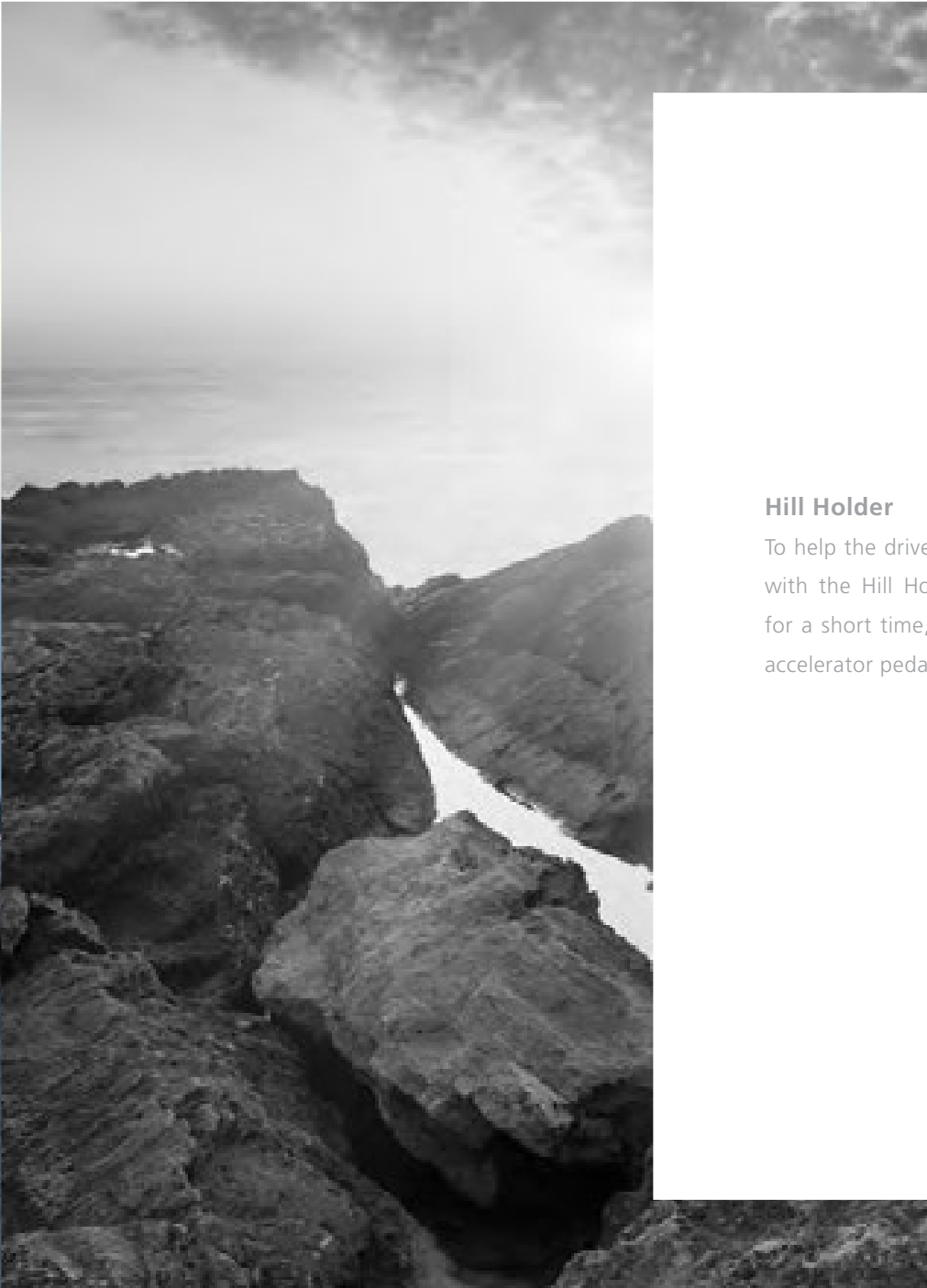




Electric Parking Brake (EPB)

The Quattroporte is equipped with an Electric Parking Brake that is engaged via the control on the gear lever surround instead of a conventional mechanical lever. When necessary it can be used when the car is moving: the system communicates with the stability control system (MSP) and acts on all four wheels to obtain an immediate braking action (a deceleration of 0.5 g), without any loss of stability, until the control is released.





Hill Holder

To help the driver when starting off on an uphill slope, the Quattroporte comes with the Hill Holder system. On a gradient, this device keeps the car braked for a short time, thus allowing the driver's foot to move from the brake to the accelerator pedal without the car rolling backwards.

PASSIVE SAFETY

Airbags

The Maserati Quattroporte is equipped with 6 airbags. Two front airbags, both dual-stage, protect the driver and front passenger in the event of collision, whilst their chests and hips are further protected by two side airbags located in the front seats. There are also two window airbags fitted in the roof next to the central pillar that protect the heads of the front and rear passengers if the car is struck from the side.

Seatbelts with pretensioners

The seatbelts, both front and rear, are fitted with electronically controlled pyrotechnic pretensioners and the latest generation load limiters. The system communicates with a sensor to determine the seriousness of a collision, and then activates with precisely the right amount of force. The seatbelt height can be adjusted to increase both comfort and safety. If the car is hit from behind, the active headrests of the two front seats automatically move closer to the passenger's head to reduce the risk of whiplash injury.









PERSONALITY NEVER GOES OUT OF FASHION

The Maserati Quattroporte's outstanding personalisation is the outcome of many small touches: adopting a tailor-made approach, the owner is able to choose from an array of colours and materials, to enhance the character of this Italian design gem. The completely updated range of exterior paint colours includes seven shades, which can be combined with three types of light alloy wheels and five brake calliper colours.

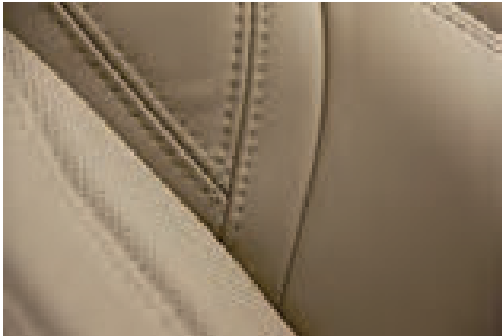






Exclusivity is central to the Quattroporte's raison d'être, which is why there are an incredible variety of interior solutions to choose from. The central part of the dashboard, like the central tunnel and contrasting door inserts, can be finished in a choice of five different fine woods. Two new types of open-grain wood are available for the first time: Burr Walnut and Poplar, both with a wealth of knots and vein patterning, and a highly tactile appeal. The standard trim is Erable, a fresh maple wood with a sophisticated vein pattern and a glossy finish which combines well with a wide range of interior colours. The other options are Tanganyika and Ebony.





The exquisite Poltrona Frau® leathers used on the seats, dashboard, doors and central tunnel are available in four colours, with two extra shades if a two-tone interior is required. The steering wheel is also leather-clad and is available in five colours, whilst its rim can be embellished with a central insert in wood or carbon fibre. There is also the option of upholstering the interior with even higher quality soft leather that can be combined with Alcantara® fabric for the central section of the seats. This material can also be used for the car's roof lining, producing an extremely sophisticated effect. To underline the Quattroporte's sporty character, the central band of the dashboard, the transmission tunnel, and areas of trim can be specified in carbon fibre with a special gloss finish. Sporty pedals are another option: in brushed steel with special rubber inserts and the oval Maserati logo, they look superb and provide tremendous grip.

An inspirational soundtrack

The new Maserati Quattroporte is equipped with the latest information and entertainment system, making life onboard a unique and inspirational experience. In the middle of the dashboard, the 8.4" Maserati Touch Control (MTC) display provides user-friendly access to the many on-board devices. The system includes a radio, satellite navigation, audio and video DVD player, and Bluetooth connection for audio streaming. The USB and Aux-In ports, in a special compartment on the central tunnel, allow the connection of remote sources like smartphones and Apple® devices, whilst an SD memory card reader is also provided. The standard audio system is designed to guarantee superb sound quality and comprises ten high-performance speakers and a 600 Watt amplifier, all perfectly integrated into the car's interior design.





In addition, WLAN technology allows the system to act as a wi-fi hotspot: once a SIM card has been inserted in the optional router, Internet signals can be transmitted and received by up to three devices simultaneously (e.g. laptops, mobile phones and tablets).

A sophisticated in-car entertainment system is available for the rear passengers – when two individual electric back seats are specified. Two 10.2” LCD screens, mounted behind the front headrests, are able to show films or photographs from external sources, whilst the AV-IN dock allows the connection of devices such as gaming consoles, cameras and laptops. Each screen comes complete with wireless headphones and a remote control, and can be linked up to a TV tuner.*

* Only in Europe, China and Japan

A new musical season

Even if you have not heard of Bowers & Wilkins, you will doubtless have enjoyed the fruits of their labours: sound engineers in the world's top recording studios use Bowers & Wilkins equipment so it is very likely that many of the songs on your CDs and playlists have been created thanks to Bowers & Wilkins speakers.

So why do the most famous recording studios – not to mention hi-fi enthusiasts – choose Bowers & Wilkins? Quite simply, they know that no-one else can capture the sound of a musical performance in such depth – the sound the musician wants to reach his audience's ears. Bowers & Wilkins has been constantly redefining quality standards in sound reproduction for more than fifty years. Today, the UK firm is delighting a new generation of fans by developing new devices such as headphones, speaker docks for mobile devices and wireless players. Now the incredible realism of Bowers & Wilkins sound can also be enjoyed on the road - onboard the Maserati Quattroporte.

Bowers & Wilkins Premium Surround System

For those seeking concert-hall acoustics in the Maserati Quattroporte, the answer is the new-generation Premium Surround system, created in association with high-end sound specialists, Bowers & Wilkins. This optional hi-fi system reproduces every subtle note to perfection, with unparalleled dynamic purity: an amazing sound for an amazing car.

Integrated acoustics

The Bowers & Wilkins system includes a 16-channel 1,280 Watt amplifier that fits perfectly into the car's interior design, thanks to painstaking work on the layout of the sound sources. Fifteen speakers are located in the dashboard, doors and rear shelf to deliver the best possible acoustics, without detriment to the elegance of the interior.



Configured to perfection

The tuning of a sound system is a sophisticated art, requiring thousands of hours of listening by the most highly trained ears. The Quattroporte's Premium Surround system has been configured by the engineers responsible for Bowers & Wilkins' 800 Series Diamond speakers – the ones used in London's famous Abbey Road Studios.

Innovative materials

The speakers installed in the Quattroporte benefit from the very latest technologies and materials, such as Kevlar and aluminium. These provide the ideal combination of lightness and rigidity, and extend the resulting sound to the limits of human hearing. For bass sounds, Rohacell – a material normally used in the aeronautics industry – is used for the speaker cones.

Surrounded by sound

The HARMAN QuantumLogic® Surround Sound processing system recognises and isolates the various elements in an audio track – for instance, the musical instruments, the voice and internal reverb. These are separated and processed to provide a crystal-clear sound with the highest possible definition.





Climate control system

The automatic dual-zone climate control automatically adjusts the intensity of the ventilation in relation to the outdoor temperature, and allows those onboard to select their own individual heat settings. With 13 ventilation outlets and an outflow of 455 cubic metres of air per hour, the system achieves new levels of efficiency - cooling or heating the air more quickly than ever before. The system is fitted with an anti-misting sensor that is automatically programmed to reduce the humidity content of the air as soon as the windows start to mist up, and a solar sensor that regulates the temperature of the air leaving the air ducts to combat the warming effects of sunlight. An optional four-zone climate control system, with a separate control unit for the rear passengers, is also available. This system includes two additional outlets on the central pillars for increased airflow to the rear.

The boot

The Maserati Quattroporte's boot is designed to offer the very best in space and versatility: its luggage capacity of 530 litres is able to accommodate large suitcases with ease. Finished with the same care and attention as the car's interior, its mats are available in three colours to match those inside the car, and there is also a handy 12V power socket. Part of the three-seater rear bench can be folded down to take particularly long items of luggage.





THE MAESTRO'S FINISHING TOUCH

Specially designed to provide an authentic Maserati experience, Maserati accessories are the perfect combination of design and functionality to ensure the highest quality, reliability and originality. The range of accessories includes articles designed to enhance the elegance and the sporting flair of Maserati and to ensure an exclusive and personalized life on board.*





Luggage set

The luggage set in soft leather, created in association with Poltrona Frau®, has been designed to make full use of the Maserati Quattroporte's boot capacity. The exquisite contrasting trims evoke the shape of the car's central tunnel and blend in with the carefully chosen materials and finely crafted detailing. The set comprises one large suitcase, one bag, two trolleys and one beauty case, with a garment bag and a shoe bag also available on request. All items can be ordered individually.

Car cover

Two different car covers, specifically for indoor and outdoor use, are available to protect the Quattroporte. The indoor car cover, in fine dark blue anti-ravel fabric, features elegant pale grey piping. For effective protection against the weather, the pale grey outdoor car cover is made of high-tech materials that allow it to breathe yet make it waterproof. Both car covers are individually personalised with the Trident symbol and the car's logo.





Winter Tyres

Maserati Winter Tyres are designed to provide the highest driving performances even in winter, thanks to their excellent grip and levels of safety. Tyre tread, compound and structure have been specifically developed and tested to be used at low temperatures, on snowy or wet road surfaces.

Child car seat

Produced in association with Peg Perego, the exclusive child seats are available for the Quattroporte with three-person rear bench seat. Designed for the smallest of passengers, they have been custom-made for Maserati. There are three versions, approved under the European ECE R44/04 regulations: Group 0+ (from 0 to 13 Kg), Group 1 (from 9 to 18 Kg) and Group 2/3 (from 15 to 36 Kg).

Battery tender and charger

The battery tender and charger is a useful device for keeping the car in tip-top condition, even if it is not used for long periods of time. When connected to an ordinary power socket, the charge level is maintained at a constant 95% to 100%. Should the battery run flat, it can also be used to charge it up.





Boot tray

The pre-formed, thermoplastic tray is the ideal way to protect the boot lining. Waterproof and washable, the tray is exactly the same shape as the boot floor, providing perfect protection. The image on the surface reflects the car's radiator grille.

Luggage net

The range of accessories developed especially for the Maserati Quattroporte includes a handy luggage net, which holds in place any items in the boot and stops them moving around during a journey. Comprising two layers to retain even the smallest, thinnest items, the net is fixed by means of four hooks in the corners of the boot surface.





DIMENSIONS AND WEIGHTS

Length	5262 mm
Width (with side mirrors)	2100 mm
Width (without side mirrors)	1948 mm
Height	1481 mm
Wheelbase	3171 mm
Front track	1634 mm
Rear track	1647 mm
Front overhang	968 mm
Rear overhang	1123 mm
Turning circle	11,8 m
Boot capacity	530 l
Fuel tank capacity	80 l
Dry weight	1800 kg
Vehicle weight	1900 kg

European market version

TYRES

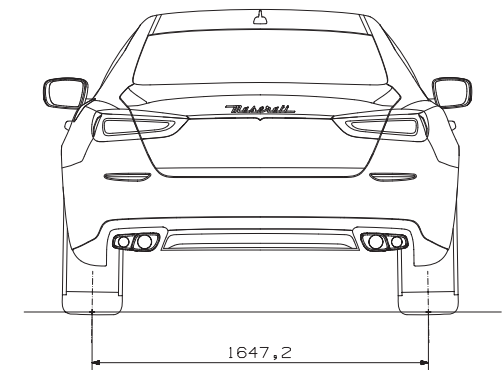
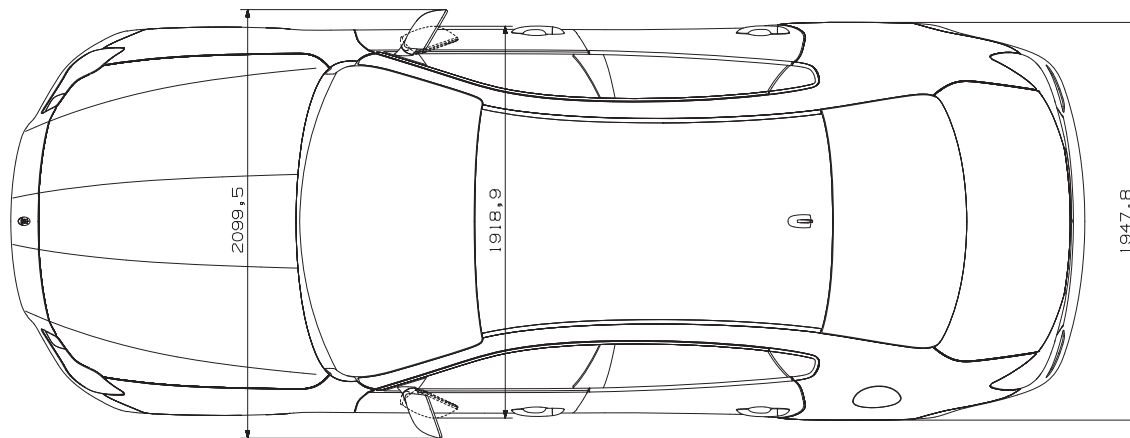
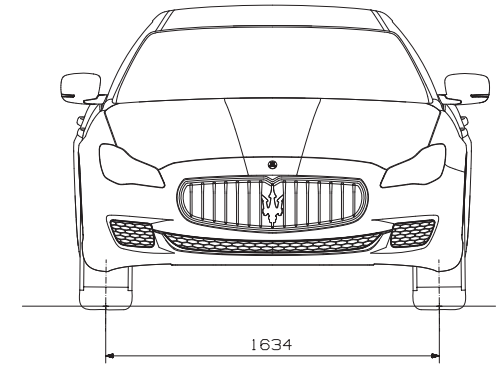
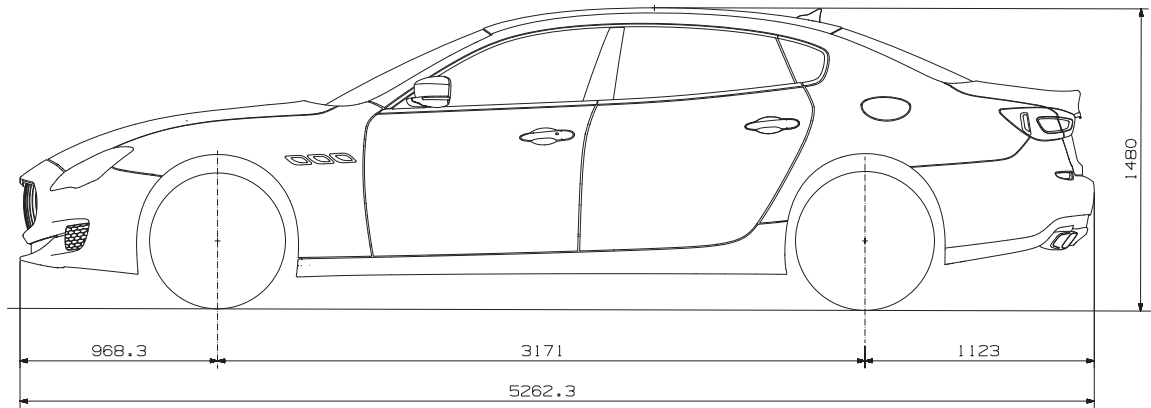
Front	245/40 R20
Rear	285/35 R20

ENGINE

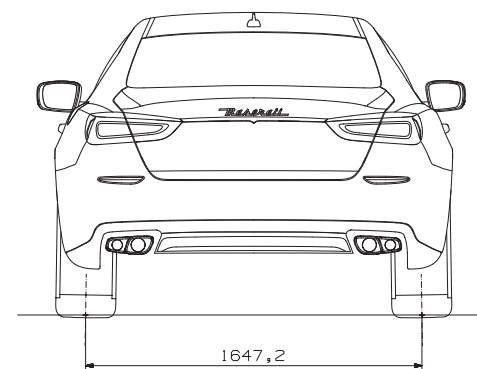
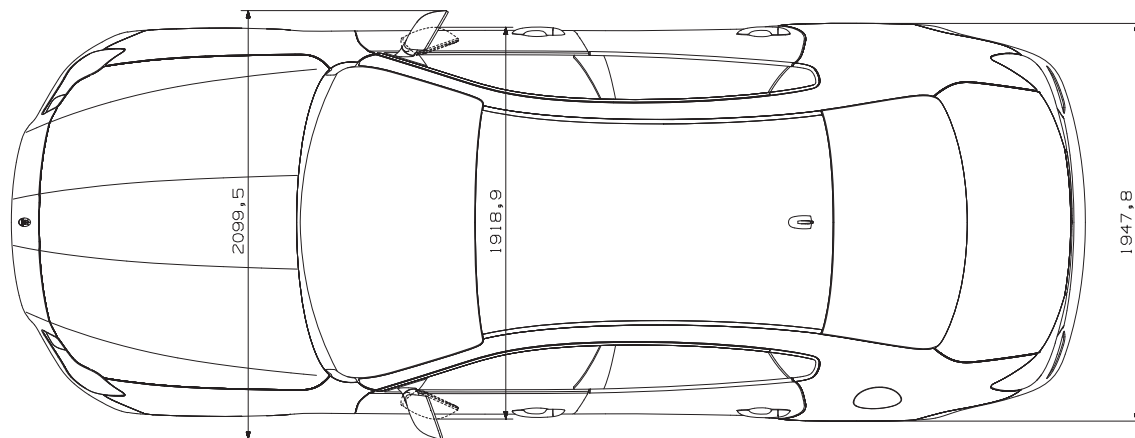
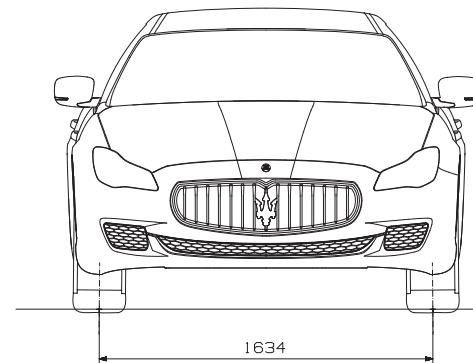
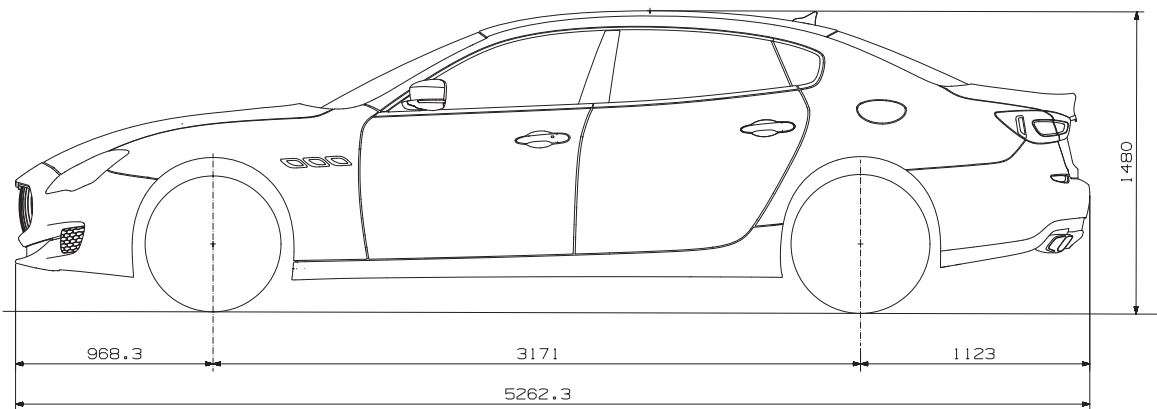
Number of cylinders and layout	V8 90°
Displacement	3798 cm ³
Bore	86,5 mm
Stroke	80,8 mm
Transmission	Automatic 8 gears
Compression ratio	9,5:1
Max. power output	390 kW (530 CV)
Engine speed at max. power output	6500 - 6800 rpm
Peak torque	650 Nm
Engine speed at peak torque	2000 - 4000 rpm

PERFORMANCE

Maximum speed	307 km/h
0 to 100 km/h acceleration	4,7 s
Fuel consumption (combined cycle) l/100 km	11.8
Fuel consumption (urban cycle) l/100 km	17.4
Fuel consumption (extra urban cycle) l/100 km	8.5
CO ₂ emissions (combined cycle) g/km	274
CO ₂ emissions (urban cycle) g/km	405
CO ₂ emissions (extra urban cycle) g/km	197



MASERATI QUATTROPORTE / TECHNICAL SPECIFICATIONS V6



DIMENSIONS AND WEIGHTS

Length	5262 mm
Width (with side mirrors)	2100 mm
Width (without side mirrors)	1948 mm
Height	1481 mm
Wheelbase	3171 mm
Front track	1634 mm
Rear track	1647 mm
Front overhang	968 mm
Rear overhang	1123 mm
Turning circle	11,8 m
Boot capacity	530 l
Fuel tank capacity	80 l
Dry weight	1820 kg
Vehicle weight	1920 kg

European market version

TYRES

Front	245/45 R19
Rear	275/40 R19

ENGINE

Number of cylinders and layout	V6 60°
Displacement	2979 cm ³
Bore	86,5 mm
Stroke	84,5 mm
Transmission	Automatic 8 gears
Compression ratio	9,7:1
Max. power output	301 kW (410 CV)
Engine speed at max. power output	5500 rpm
Peak torque	550 Nm
Engine speed at peak torque	1750 - 5000 rpm

PERFORMANCE

Maximum speed	283 km/h
0 to 100 km/h acceleration	4,9 s
Fuel consumption (combined cycle) l/100 km	10.6
Fuel consumption (urban cycle) l/100 km	15.4
Fuel consumption (extra urban cycle) l/100 km	7.8
CO ₂ emissions (combined cycle) g/km	246
CO ₂ emissions (urban cycle) g/km	358
CO ₂ emissions (extra urban cycle) g/km	181



TRITONE

- * Front tire: 245/45 R 19
- * Rear tire: 275/40 R 19



MERCURIO

- * Front tire: 245/40 R 20
- * Rear tire: 285/35 R 20



CRONO

- * Front tire: 245/40 R 20
- * Rear tire: 285/35 R 20



TITANO

* Front tire: 245/35 R 21

* Rear tire: 285/30 R 21







Black



Red



Blue

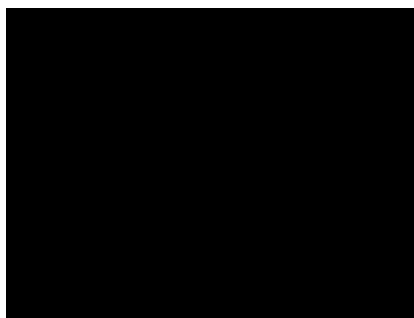


Silver

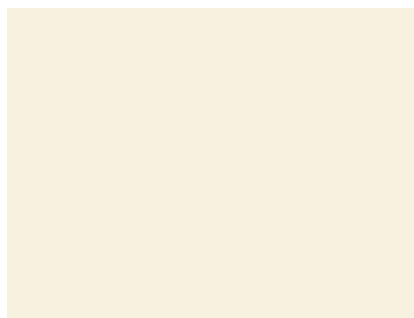


Polished Aluminium

SOLID PAINTS

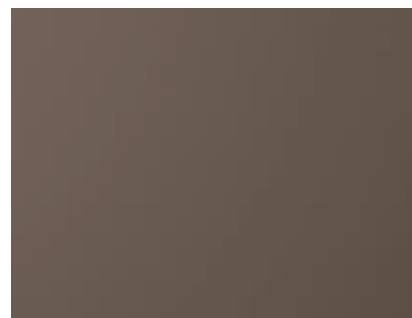


Nero



Bianco

METALLESCENT PAINTS



Bronzo Siena



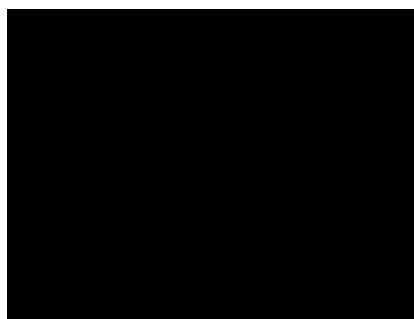
Champagne

METALLIC PAINTS



Grigio Metallo

MICA PAINTS



Nero Ribelle



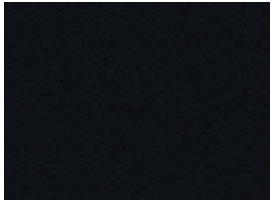
Blu Passione



Rosso Folgore



PREMIUM LEATHER COLORS: OPTIONAL



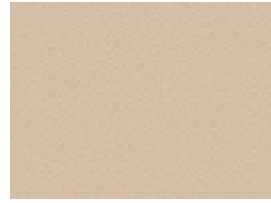
Nero



Marrone



Tortora



Sabbia



Cuoio



Blu

LEATHER COLOURS / LOWER DASHBOARD: STANDARD



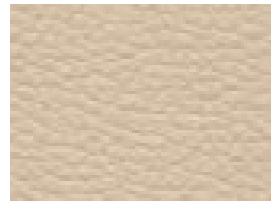
Nero



Marrone



Tortora

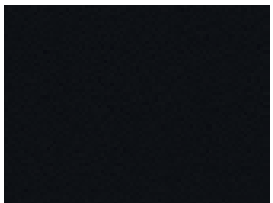


Sabbia

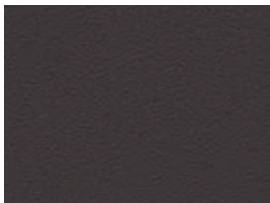


Cuoio

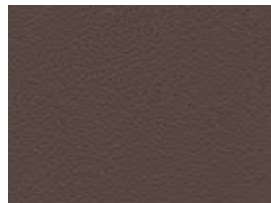
UPPER DASHBOARD



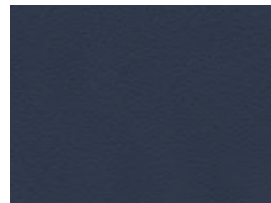
Nero



Marrone

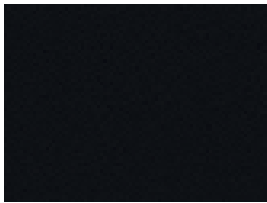


Tortora



Blu

STEERING WHEEL



Nero



Marrone



Tortora

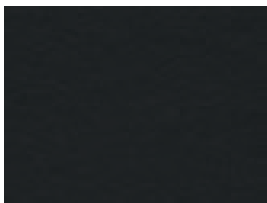


Sabbia

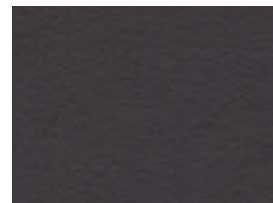


Blu

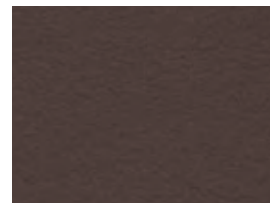
CARPET / SEAT BELTS



Nero



Marrone

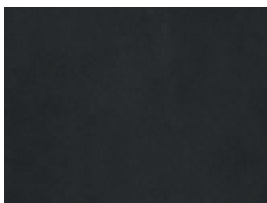


Tortora



Sabbia

HEAD LINING



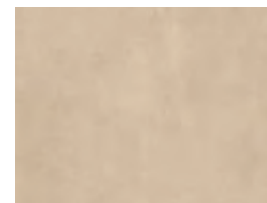
Nero



Grigio

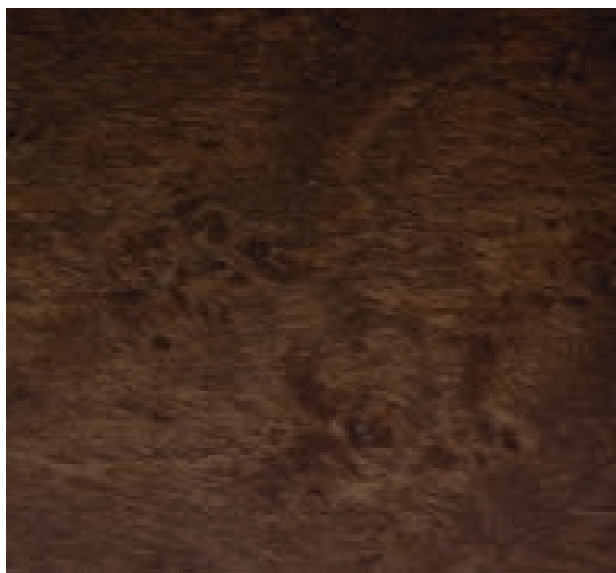


Tortora

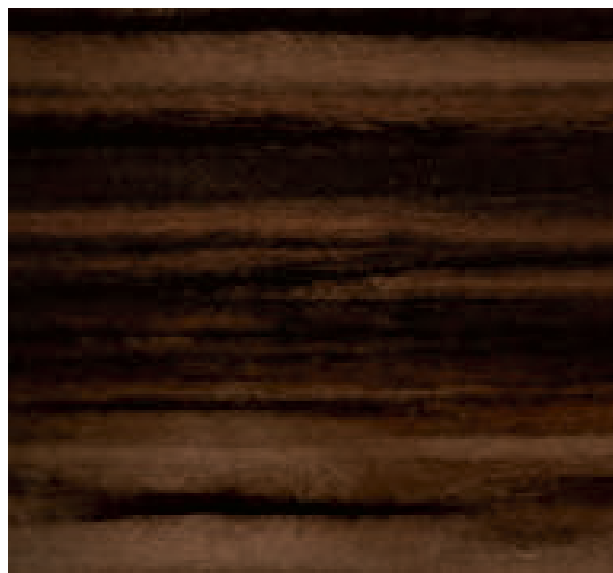


Sabbia

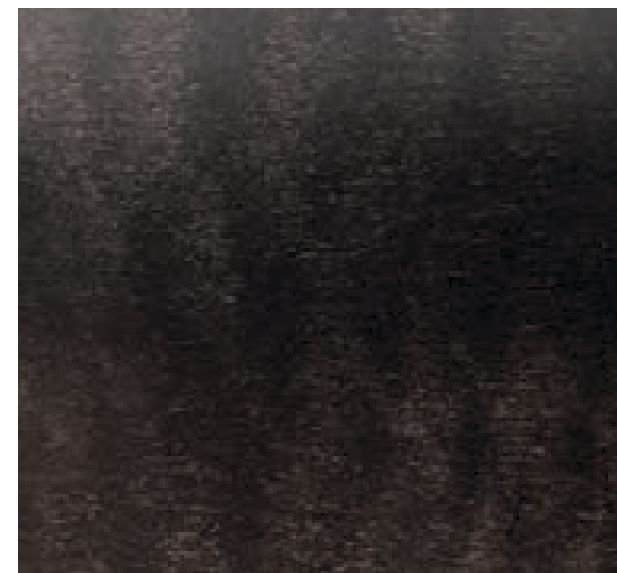
INTERIOR WOOD TRIM



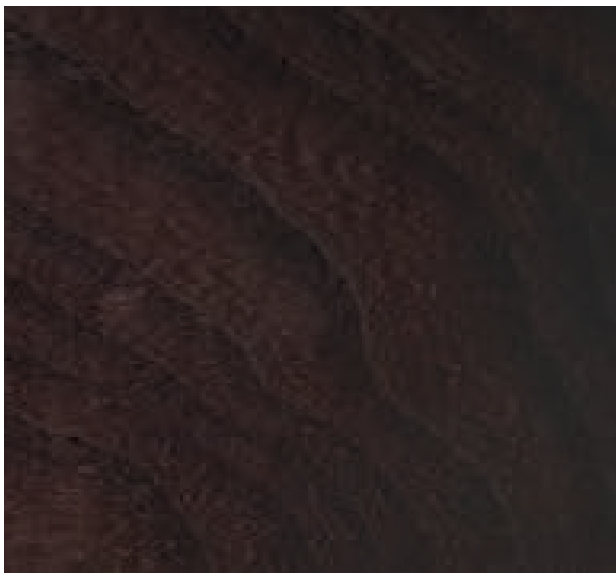
Erable



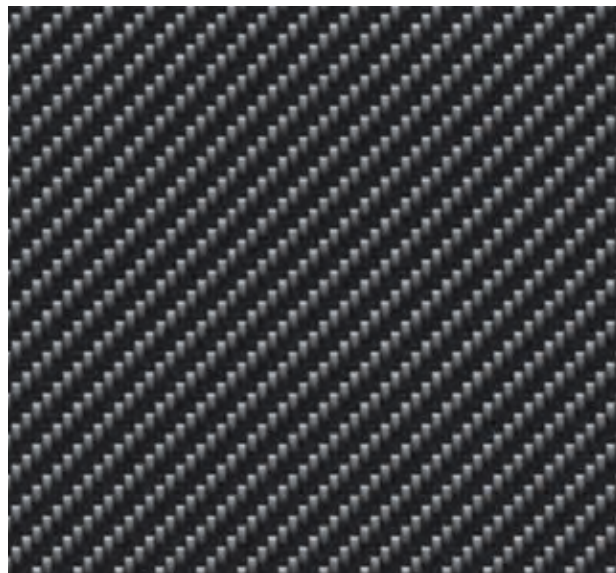
Ebano



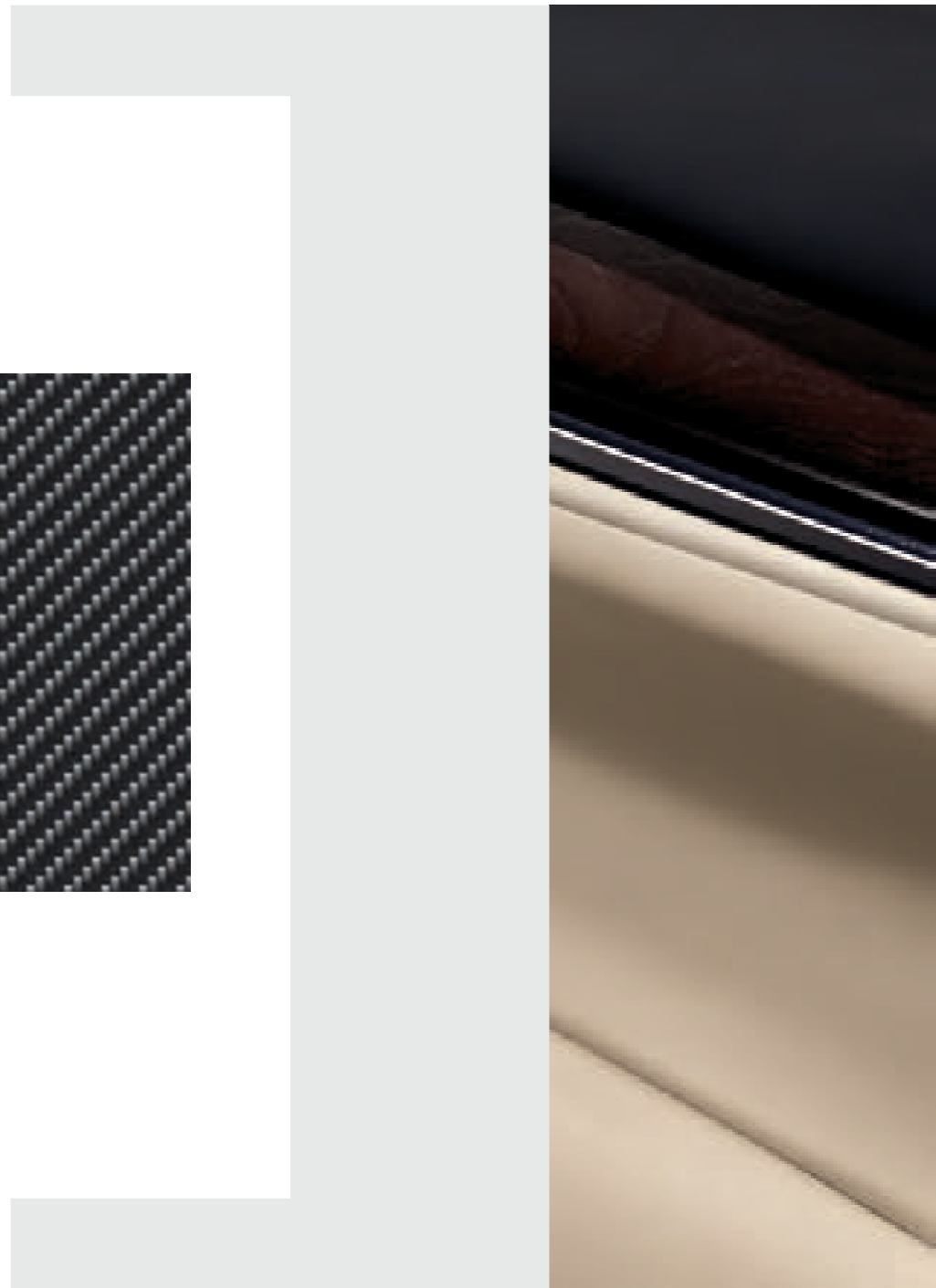
Tanganika



Radica



Carbonio



QUATTROPORTE S Q4

QUATTROPORTE GTS

WHEELS AND CHASSIS

19-inch alloy wheels - Tritone (Tyres: 245/45 R19 front; 275/40 R19 rear)	●	○
20-inch alloy wheels - Crono (Tyres: 245/40 R20 front; 285/35 R20 rear)	○	○
20-inch alloy wheels - Mercurio (Tyres: 245/40 R20 front; 285/35 R20 rear)	○	●
21-inch forged alloy wheels - Titano (Tyres: 245/35 R21 front; 285/30 R21 rear)	○	○
Brake callipers painted Black	●	●
Brake callipers painted Red	○	○
Brake callipers painted Blue	○	○
Brake callipers painted Silver	○	○
Brake callipers in Polished Aluminium	×	○
ZF-8 speed automatic transmission; with tip up/down function from gear-knob and fully manual mode (activation by specific button)	●	●
PERFORMANCE BRAKING SYSTEM:		
Front Brakes: 6 pistons aluminium monobloc fixed calipers with dual-cast ventilated drilled discs (380x34mm)	×	●
Rear Brakes: 4 pistons aluminium monobloc fixed calipers ventilated discs (350x28mm)		
Front Brakes: 6 pistons aluminium monobloc fixed calipers with dual-cast ventilated drilled discs (360x32mm)	●	×
Rear Brakes: 4 pistons aluminium monobloc fixed calipers ventilated discs (350x28mm)		
Space saver spare wheel 18-inch*	○	○
Skyhook - electronically variable active damping suspension system (manually adjustable with two stiffness levels and dedicated control button)	●	●

	QUATTROPORTE S Q4	QUATTROPORTE GTS
SAFETY		
Adaptive Bi-xenon front headlamps	●	●
Day Running Light (DRL)	●	●
Adaptive Front Lighting System (AFS)	●	●
Hi-pressure front headlamp washing system	●	●
Full LED Taillamps and third stop light integrated into the rear window	●	●
Automatic headlamp activation	●	●
Parking lights	●	●
Air-bag system: dual stage front bags (driver and passenger), side bags, head bags	●	●
Front and rear seat belts with pre-tensioners and load limiters; rear seat belts	●	●
MSP - includes:		
- Maserati Stability Program (MSP)		
- Acceleration Slip Regulation (ASR)		
- Antilock Bracking System (ABS)	●	●
- Electronic Brake Distribution (EBD)		
- Maserati drag torque control (MSR)		
Hill holder	●	●
Electronic Parking Brake (EPB)	●	●
Tyre Pressure Monitoring System (TPMS) with pressure displayed within the central digital cluster	●	●
Tyre sealing compound and electric air compressor	●	●
Active Cruise Control	●	●

● Standard
○ Optional
× Not available

	QUATTROPORTE S Q4	QUATTROPORTE GTS
EXTERIOR EQUIPMENT		
Solid paint	●	●
Metallic paint*	○	○
Mica paint	○	○
Metallescent paint	○	○
Electric Sunroof, with tilt and slide functions**	○	○
Chromeline exterior trim	●	●
Heated windscreen washer nozzles	●	●
Lightweight boot lid construction, with key-less opening and remote key unlocking	●	●
Front parking sensors with graphical display on central digital cluster	●	●
Rear parking sensors with graphical display on central digital cluster	●	●
Rear view camera with imaging displayed on central MTC	●	●
Automatically dimming, powered and heated exterior mirrors, electrically adjustable and foldable, with integrated LED indicator lights	●	●
Twin, dual pipe exhaust system in chrome-plated stainless steel	●	X
Twin, trapezoidal integrated dual pipe exhaust system in chrome-plated stainless steel	X	●
Quattroporte badge on boot	●	●
Q4 badge on boot	●	X
INTERIOR EQUIPMENT		
Fabric headlining	●	●
Alcantara® headlining	○	○
Poltrona Frau® leather interior upholstery for seats, upper and lower dashboard, armrests, grab handles	●	●
Poltrona Frau® premium quality fine grain extended leather interior upholstery for seats, upper and lower dashboard, armrests, grab handles and door handles, upper door panel, central door panel	○	○
Poltrona Frau® premium quality fine grain extended leather interior upholstery for upper and lower dashboard, armrests, grab handles and door handles, upper door panel, central door panel and perforated seats (squab centre and sitting centre)	○	○
Poltrona Frau® premium quality fine grain extended leather and Alcantara® interior upholstery for upper and lower dashboard, armrests, grab handles and door handles, upper door panel, central door panel; Alcantara upholstery for seats (squab and sitting centre)	○	○

* STD content in USA, Middle East and China

** STD content in USA and China

MASERATI QUATTROPORTE / STANDARD AND OPTIONAL EQUIPMENT

	QUATTROPORTE S Q4	QUATTROPORTE GTS
High gloss wood trim for selected interior details: Erable	○	●
High gloss wood trim for selected interior details: Tanganika	○	○
High gloss wood trim for selected interior details: Ebano	○	○
Open pore wood trim for selected interior details: Radica	●	○
High gloss Carbon finish trim for selected interior details	○	○
Multifunction three spoke steering wheel	●	●
Steering wheel and gear knob in fine Poltrona Frau® coloured leather	●	●
Steering wheel and gear knob in fine Poltrona Frau® Sabbia leather, with matching inserts	○	○
Steering wheel with wood insert and gear knob in fine Poltrona Frau® coloured leather	○	○
Steering wheel with high gloss carbon insert and gear knob in fine Poltrona Frau® black leather	○	○
SPORT button	●	●
Sport pedals in brushed stainless steel	○	○
Maserati "Active shifting": aluminium gear shift paddles mounted on the steering column	○	●
High thermal and noise insulation laminated glasses	●	●
Electrically adjustable front seats (8 ways + 4 ways for lumbar), heated, with two memories for driver side	●	●
Rear seat bench with three places	●	X
Rear seat bench with three places and heated seats	○	●
Rear seat bench (3 places version), foldable (40%)	●	●
Front armrest with twin mechanical opening, illuminated storage compartment, air conditioned and 12V socket	●	●
Rear armrest with USB charger and 12V cigar lighter	●	●
Maserati clock design in central area of the dashboard	●	●
Trident logo embossed on headrests - front and rear	●	●
Two hidden front cupholders and 12V cigar lighter	●	●
Two hidden rear cupholders	●	●
Storage compartments: driver glove box; passenger glove box; Front and rear armrest, map pocket on front and rear doors, seatback pockets	●	●
Quattroporte badge on dashboard trim	●	●

- Standard
- Optional
- × Not available

QUATTROPORTE S Q4

QUATTROPORTE GTS

COMFORT AND FUNCTIONALITY

MTC: Maserati Touch Control unit. 8.4" touch screen display, including: navigation, radio, CD/DVD audio/video player, SD card reader, USB and Aux-in (into dedicated compartment on front tunnel), Apple chip, bluetooth function for audio streaming, climate controls, phone devices, car set-up, etc	●	●
7" multifunction colour digital display cluster with on-board computer/driver info	●	●
White night ambient lighting with dimming function	●	●
Dual zone climate control	●	●
Four zone climate control	○	○
Power rear sunshade	○	●
Power rear lateral sunshades	●	●
Front seat ventilation	○	○
Heated steering wheel in leather with wood insert	○	○
Steering column with power height and reach adjustments	●	●
Speed sensitive power assisted steering	●	●
Standard audio system (600W) with 10 speakers	●	●
Bowers & Wilkins Premium Surround System (1280W) with 15 speakers	○	○
Two individual comfort rear seats: including heating, ventilation, power adjustment and front passenger seat movement (only in combination with four zone climate control, Poltrona Frau® fine leather interior upholstery with perforated seats & power rear sunshade)	○	○

	QUATTROPORTE S Q4	QUATTROPORTE GTS
Pull-down tables	○	○
Rear Seat Entertainment	○	○
Rear Seat Entertainment (TV tuner included)	○	○
Privacy glass (rear side windows, back window)	○	○
Aluminium Key fob, with key-less entry and key-less go function (includes: lock/unlock button, tboot opening, exterior light on)	●	●
Extended key-less entry system including rear doors	○	○
Easy entry - exit system for steering column and seat	●	●
Smoking kit (ashtray for cup-holders)	○	○
Wi-Fi Hot Spot	○	○
I.C.E. control (Increased Control & Efficiency): specific software for reduced consumptions and a better vehicle dynamic management in all conditions	●	●
Alarm system (perimeter and volumetric sensing, anti-lift device, electronic immobilizer)	●	●
Rain sensors	●	●
Quick printed user's guide and DVD interactive user guide, browsable via MTC (Maserati Touch Control)	●	●

● Standard
○ Optional
× Not available

MASERATI A RACING LEGEND

Maserati was born as a small builder of racing cars, and it is there that its deepest roots lie. With the impressive record of the MC12, Maserati's biggest winner of all time, just behind it, today the marque's spirit lives again in the Trofeo GranTurismo MC, dedicated to gentlemen drivers.

Trofeo MC World Series. Stylish track excitement.

Following the success of the last season, the Maserati Trofeo MC will be back in 2013 on the most prestigious circuits around the world. The

4th edition of the Trofeo becomes even more international, featuring three events in Europe, two events in USA, one event in China, one event in the Emirates. All events of the Trofeo MC World Series 2013 are made of 3 races over the weekend. More races, more excitement, more challenges where the good combination of performance, strategy and consistency can make the difference. A unique motorsport experience. For more information, visit www.maseraticorse.com or send an email to TrofeoMaserati@maserati.com







Maserati Master Driving

It is perhaps the ultimate driving experience: taking to the racetrack in a race-tuned Maserati. A Master Maserati Driving Course places you behind the wheel of various different Maserati models, so that you can learn about performance driving and other techniques.

Master GT 1 Day

A one-day course designed to improve participants' personal driving abilities in an enjoyable and challenging environment. Experienced staff will also increase delegates' understanding of their cars' technology and performance capabilities.

Master GT 2 Day

An intensive two-day course comprises a number of exciting and dynamic sessions including bend trajectory technique, acquisition and analysis of telemetry data, and driving with a pace-car. In addition, participants are taught how to control the car in different simulated road conditions.

Master High-Performance

The Master High-Performance course is a personalised course, designed to hone skills and acquaint drivers with racing strategy, allows participants to test high performance Maseratis on the Paletti circuit. The programme includes advanced high-speed driving sessions and technically more complex and challenging exercises.

Master Italian Lifestyle Experience

This course features four characteristics of Italian life: luxury, art, fashion and, of course, motor racing. The programme enables participants to enjoy sessions on track and then engage in exclusive activities organised by the Maserati team in the historic cities of Florence and Parma. The five-star event is designed to involve both driver and partner: a first class experience for two, sampling authentic specialities of the region.

BESPOKE MASERATI SERVICES

Factory Tour*

Find out where and how the Maserati myth is born. Maserati offers you the opportunity of finding out about its secrets from the inside, through a guided tour of the Modena production plant. Discover how the cars are born, learn their secrets, fully understand their engineering and really feel one of the Maserati family.

Web and Car Configurator

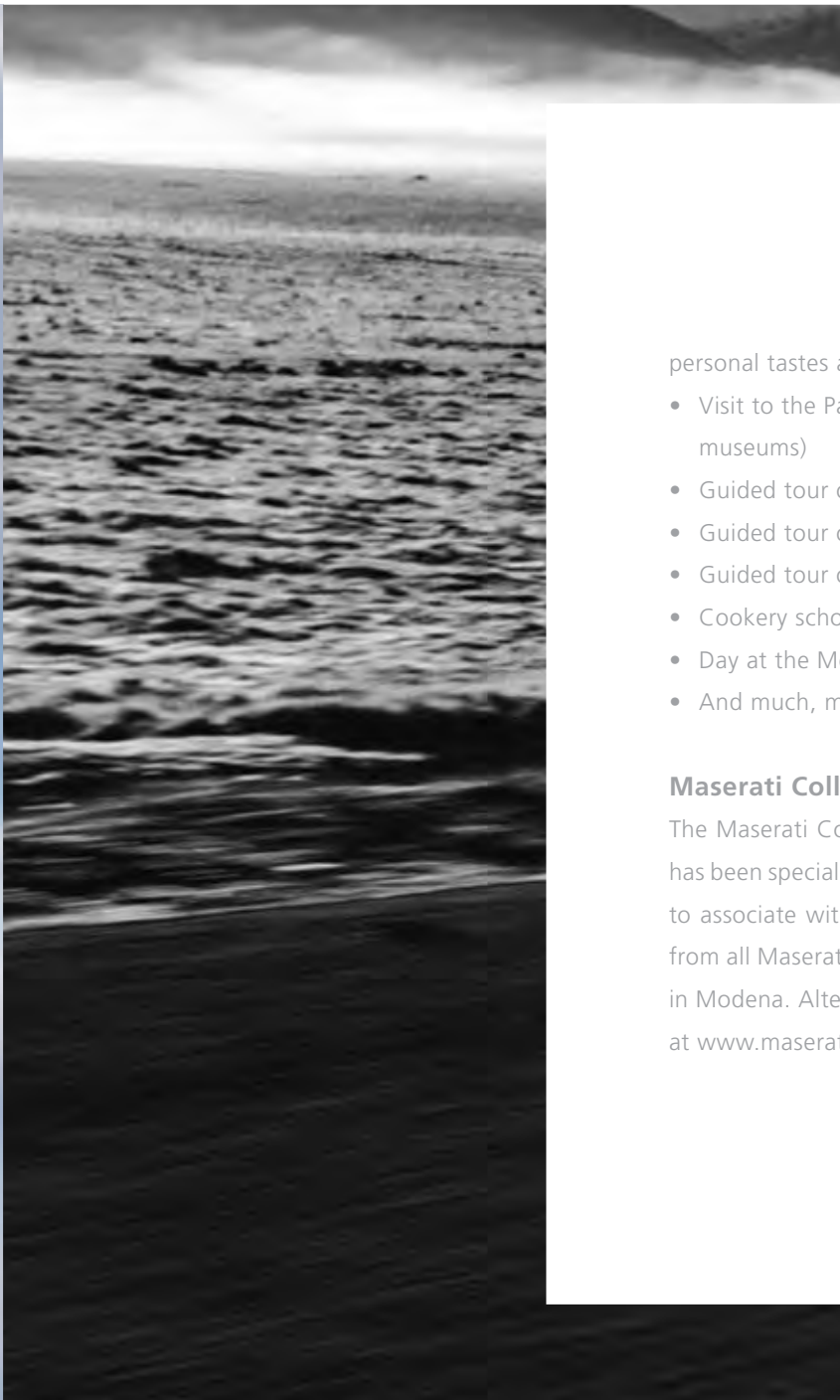
The www.maserati.com web site lets users browse every aspect of the Maserati world at ease, with multimedia content, historical information, a search function for pre-owned Maserati cars in the authorised sales network, and the futuristic car configurator.

Maserati has developed a very special configuration website www.configurator.maserati.com. Visitors to this site can configure their chosen model, and then view every mechanical detail inside thanks to its innovative 'X-Ray' viewing facility.

Maserati Experience**

For those wishing to combine their factory visit with a little more insight into the company's home city of Modena, Maserati has the perfect solution. Lasting one or more days, the Maserati Experience enables you to get to know the world of Maserati at first-hand via a guided tour that allows you to discover Modena, its culture, its history and its fine food. You can tailor your Maserati Experience to your own





personal tastes and interests by combining a variety of activities:

- Visit to the Panini Museum and/or Stanguellini Museum (famous motor museums)
- Guided tour of the town
- Guided tour of a traditional balsamic vinegar manufacturer, with tasting
- Guided tour of a winery, with tasting of local wines
- Cookery school
- Day at the Modena Golf & Country Club
- And much, much more

Maserati Collection

The Maserati Collection of quality leisurewear, goods and branded merchandise has been specially created for those who share the Maserati passion, and who seek to associate with the illustrious marque. Maserati Collection items are available from all Maserati dealers, and from the Maserati Store at the Maserati showroom in Modena. Alternatively all the articles in the collection can be purchased online at www.maseratistore.com and delivered directly to your home.

Maserati Club

Joining the exclusive Maserati Club means sharing thrills and experiences with other Maserati owners, and being invited to take part in special motoring events all over the world. Owners of cars from every era can enjoy the pleasure of driving their Maseratis in a calendar of events created especially for Maserati Club members. The Maserati Club provides the link between the past, present and future of the company. It is run by individuals who have made a major contribution to the growth and promotion of Maserati across the decades, starting with Maria Teresa de Filippis, the first ever female Formula 1 driver and today a proud supporter of the marque. For more information, visit www.maseraticlub.com

Maserati accessories

The Maserati range of accessories includes various items designed to enhance the elegance and sporty appeal of all Maserati models. Exterior variations, for example, include coloured front grilles or brake callipers, whilst interior equipment includes carpet overlay kits and under-door moulding covers. Amongst the components

associated with style and dynamic performance, there's a wide choice of alloy wheels and carbon trims; then in the car care range there's everything from car covers and leather care kits, to battery chargers, child seats and luggage sets.

Maserati Classiche

Created for enthusiasts and owners of vintage Maserati cars, Maserati Classiche is an organisation that's dedicated to those who wish to engage with the marque's glorious past. The Maserati Classiche range of products includes items that celebrate the company's 98 year history: paintings of glorious events, pictures of classic Maseratis, original reproductions of parts catalogues, owners' handbooks and old brochures, clothing, scale models, and much, much more.

All the latest items can be found on www.maserati.com in the Passion - Maserati Classiche section. Or for more information, email maserati.classiche@maserati.com

NORTH AMERICA:

Canada
USA

**CENTRAL /
SOUTH AMERICA:**

Argentina
Brazil
Chile
Colombia
Costa Rica
Dominican Republic
El Salvador
Guatemala
Mexico
Panama
Puerto Rico
Venezuela

*Service Only

EUROPE:

Austria
Belgium
Bulgaria
Cyprus*
Czech Republic
Denmark
Finland
France
Germany
Greece
Holland
Hungary
Israel
Italy
Latvia
Lithuania
Luxembourg
Monte Carlo
Norway*
Poland
Portugal*
Romania
Russia
Slovenia
Spain
Sweden
Switzerland
Turkey
Ukraine
United Kingdom

ASIA / OCEANIA:

Australia
Azerbaijan
China
Hong Kong
India
Indonesia
Japan
Kazakhstan
Korea
Malaysia
New Zealand
Philippines
Singapore
Taiwan
Thailand

**AFRICA /
MIDDLE EAST:**

Bahrain
Egypt
Kuwait
Lebanon
Oman
Qatar
Saudi Arabia
South Africa
United Arab Emirate

MASERATI CONTACT CENTRE

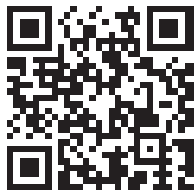
Italy - 800 008 008 • Switzerland (German) - 0800 837 100 • Switzerland (French) - 0800 837 200 • Switzerland (Italian) - 0800 837 300 • Germany - 0800 810 80 80 • Sweden - 020 798 000 • Norway
800 180 88 • Finland - 0800 110 808 • Austria - 0800 281 888 • France - 0800 908 000 • Principality of Monaco - 800 93 888 • Denmark - 80 888 000 • Belgium (Flemish) - 0800 710 31 • Belgium (French)
0800 710 30 • Luxembourg - 8002 8000 • Netherland - 0800 0 224 234 • Spain - 9009 969 45 • Portugal - 8008 39 103 • Greece - 00800 3912 725 41 • Turkey - 00800 399 090 538 • United Kingdom
0800 064 6468 • Latvia - 0371 7500 100 • Australia - 1 800 196 941 • Hong Kong - 00 852 2870 8821







On the Maserati website, at www.maserati.com, or through the Maserati Service Network you may consult the list of telephones that are compatible with the Multi Media System, and their level of compatibility. The illustrations and texts contained in this brochure are based on the information available at the time of production and do not contain a description of specific characteristics of the car by the Constructor. Some models, equipment and accessories may not be available or may only become available after the car's launch on the market. Maserati reserves the right to modify colours, designs and technical features at any time and without forewarning. Official Maserati Dealers will be glad to provide further details and updates in this regard.



INTERNET

Discover the world of Maserati by aligning the QR code with the camera of your smartphone or visiting mobi.maserati.com



WWW.MASERATI.COM

WWW.MASERATIQUATTROPORTE.COM

MASERATI SPA · VIALE CIRO MENOTTI, 322 · 41121 MODENA · ITALY