

**A SUPER STRONG
PARTNER THAT
REACHES GOALS
FASTER.**

INTRODUCING

D-MAX
SUPER STRONG



BS6



1000

**YEARS OLD BUT STILL
MAKING HISTORY.**



1922

WOLSELEY MODEL A-9



1961

ELFINE



1963

WASP



1972

KB/FASTER



1979

FASTER-RODEO 4WD



2002

ISUZU D-MAX



2016

**ISUZU D-MAX
LAUNCHED IN INDIA**



ISUZU

D-MAX

ISUZU D-MAX
SUPER STRONG

SUPER STRONG PERFORMANCE TO MAXIMISE YOUR POTENTIAL.



Powerful & proven engine with VGS technology
For unbeatable performance.



Low 6.3 m turning radius
For precise and smooth drivability.



220 mm high ground clearance
To tackle any road.



Large wheels (40.6 cm)
For optimum traction and load-bearing.



Refined 5-speed gearbox with overdrive
For smoother and more efficient drivability and transmission longevity.



No need to add diesel exhaust fluid (AdBlue)
Lowers operational cost.



ISUZU **D-MAX**
SUPER STRONG

LIVES SUPER LONG, SUPER STRONG.



High tensile steel body
Provides superior strength and ruggedness for the long run.



Protective all-round electro-deposition coating
Prevents rusting and leads to a long-lasting life.



iGrip platform
Modern, new generation platform for higher performance.



Graphite coated pistons
Leads to longer engine life by preventing wear and tear during cold starts.



Stronger suspension*
To provide optimum load carrying capability.

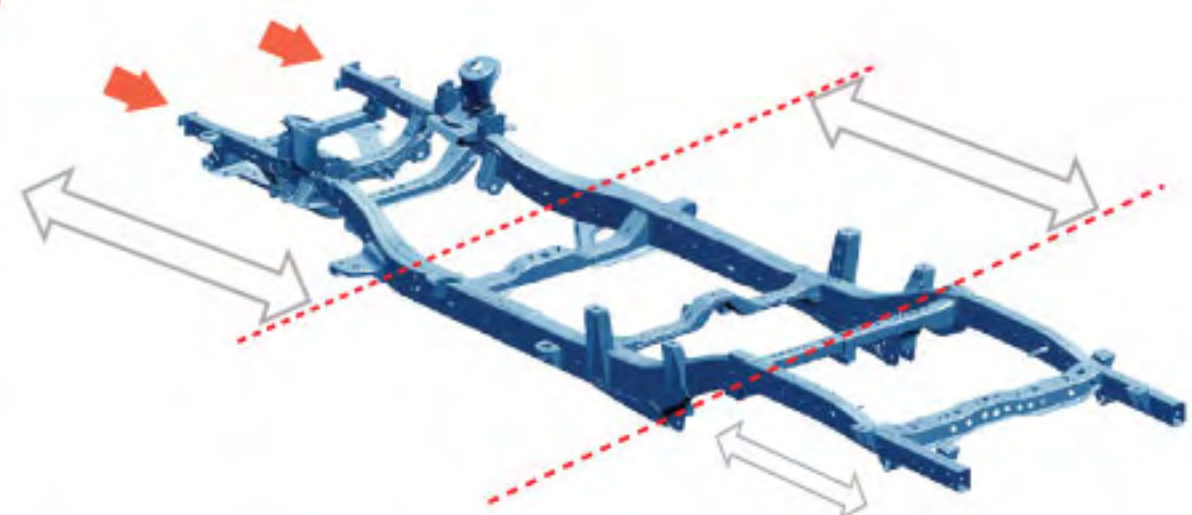


Tested for over 40 LAKH km#
Making the D-Max Super Strong an extremely reliable product.

*Image shown is for representation purpose only. #40 LAKH km is the sum of distance covered under various test conditions in multiple vehicles.



THE CONFIDENCE OF SUPER STRONG SAFETY.



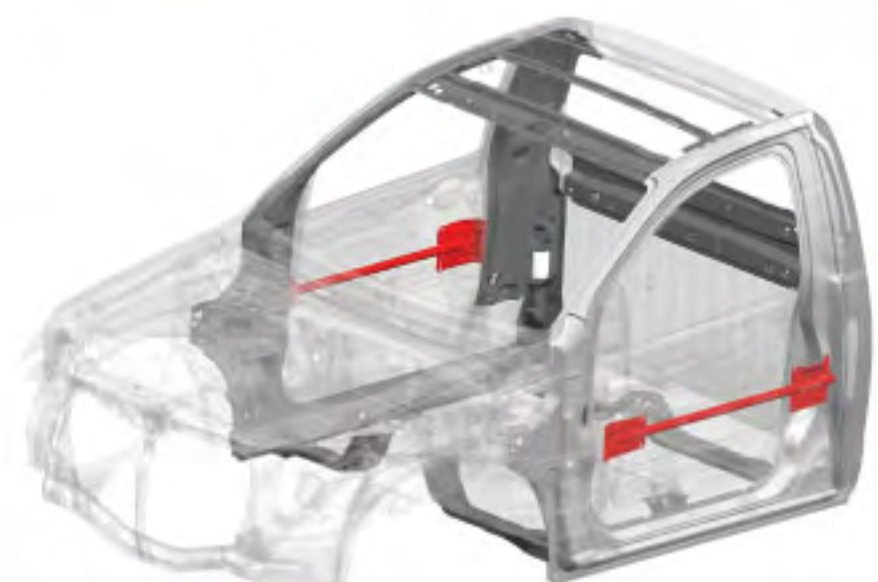
Collapsible chassis with crumple zones

Provides more safety to occupants during front and rear collisions.



Efficient braking system

26.6 cm brake boosters, ventilated disc and twin pot calipers.



Cross-car front beam and side-door intrusion beams

Provides added safety from front and side impacts.



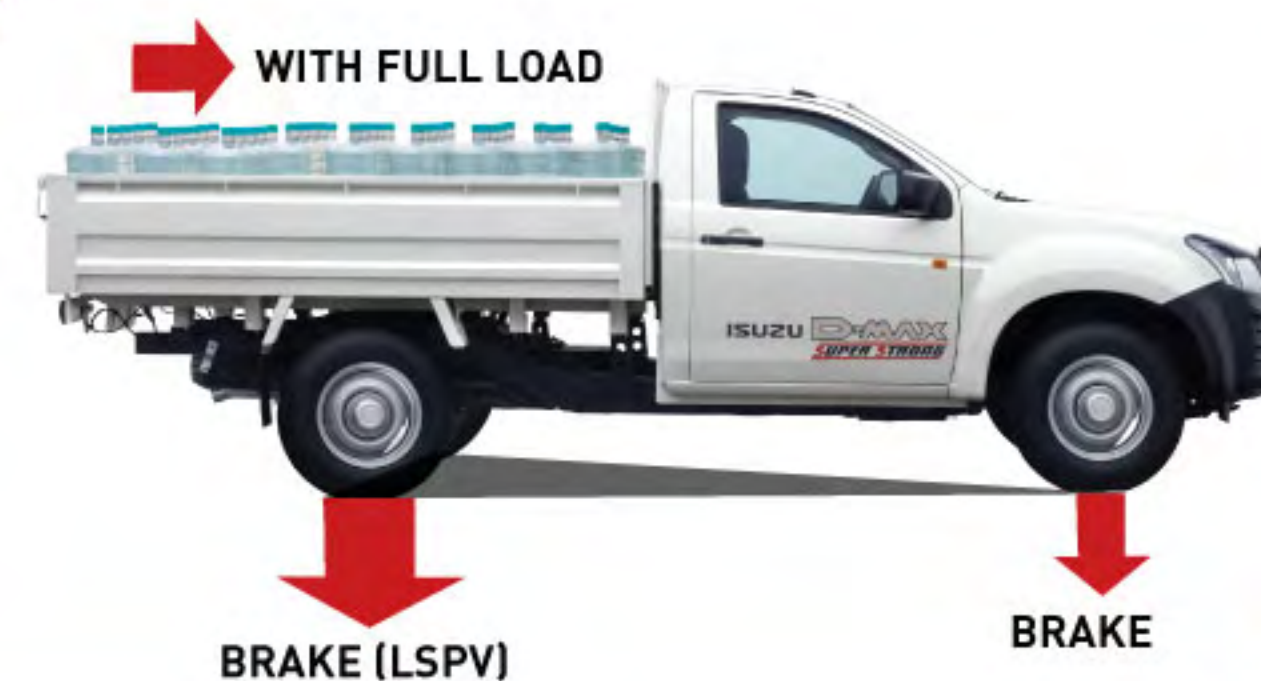
Underbody protection kit

Steel skid plate and engine bottom guard to safeguard the key vehicle aggregates.



Collapsible steering column

Additional safety for the driver in the event of a frontal collision.



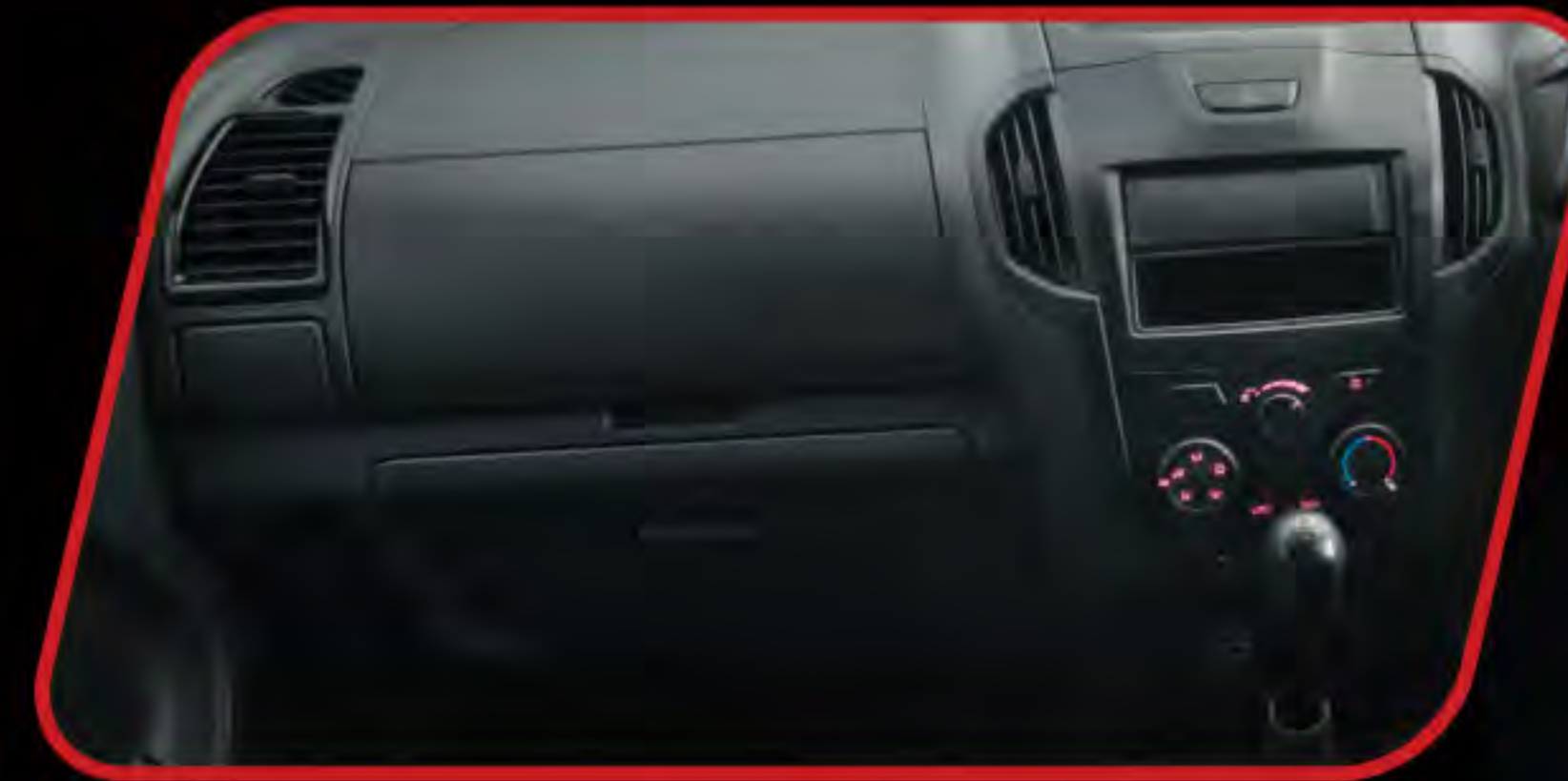
LSPV (Load Sensing Proportioning Valve)

Intelligent braking system that corresponds to the load and reacts accordingly preventing wheel skidding.

SUPER COMFORTABLE LIKE AN SUV, SUPER STRONG LIKE A TRUCK.



Fabric seat covers
When style meets
comfort.



Quiet and spacious cabin
Well insulated cabin with superior
space that provides best-in-class
cabin comfort.



Car-like interiors
High quality and
durable fitments
with excellent finish.



Multiple storage spaces
More space while
on the go.



**A/C* with blower,
heater, dust and
pollen filter**
Maximum comfort for
all occupants.



Ergonomic cabin controls
For easy access
to all controls.



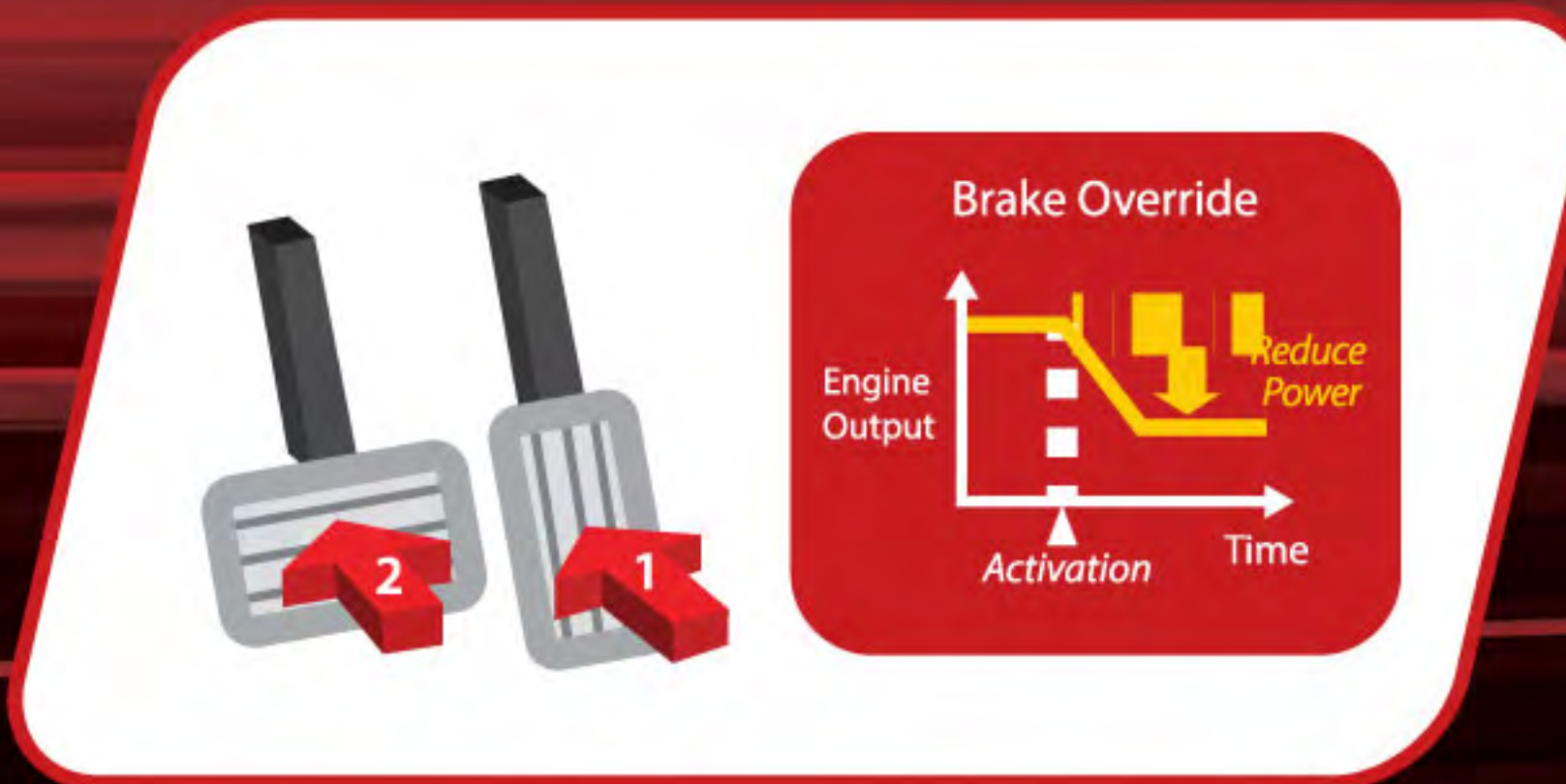
SUPER STRONG PERFORMANCE IN ALL CONDITIONS.



Gear shift indicator
Prompts the driver to upshift or downshift according to engine RPM.



High contrast and stylish instrument cluster
Modern instrument cluster providing optimum visibility during day and night.



Brake override system
An intelligent system that reacts to panic stopping of the vehicle, even when the accelerator is pressed with the brakes.



Rear parking sensor
Maximum ease of parking.



Co-driver sliding seat
Better comfort and control for the co-passenger in the front seat.



High mount stop lamp
Provides extra precaution for the vehicle approaching from the rear.



ISUZU

D-MAX

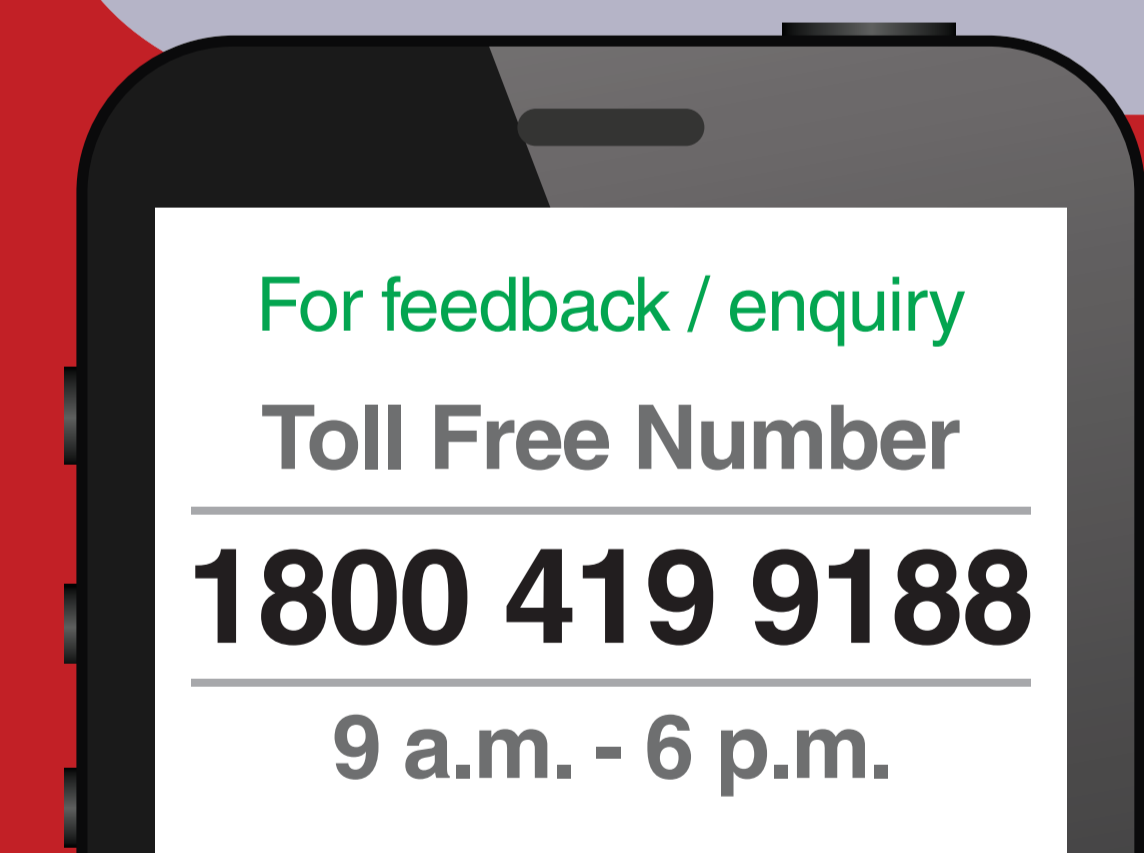
ISUZU D-MAX
SUPER STRONG

D-MAX SPECIFICATIONS AND FEATURES

Model	D-MAX		D-MAX SUPER STRONG	
Emission	BS6		BS6	
Cab Type	Regular		Regular	
Ride Type	High Ride		High Ride	
Deck Type	Flat Deck	Cab Chassis	Flat Deck	Cab Chassis
Engine				
Type	4 Cylinder, Common Rail, VGT Intercooled Diesel			
Engine Displacement	2499 cm ³			
Max Power	58 kW (78 hp) @ 398 rad/s (3800 rpm)			
Max Torque	176 Nm @ 157 - 251 rad/s (1500-2400 rpm)			
Transmission				
Drive Type	2WD			
No. of speeds, Shift type	5 Speed, Manual			
Suspension				
Front Type	Double Wishbone, Coil Spring			
Rear Type	Semi-Elliptic Leaf Spring			
Wheel				
Rim Size	6.5J x 16 (40.64 cm)			
Tyre Size	205 R16C		215/75 R16	
Tyre Type	Radial			
Brake and Steering				
Brake Type	Hydraulic Brake with large Booster (26.67 cm) and LSPV			
Front Brake	Ventilated Disc with Twin Pot Caliper			
Rear Brake	Drum			
Steering Type	Hydraulic Power Assist with Tilt Adjustment			
Dimensions				
Overall Vehicle (LxWxH)	5375 mm x 1860 mm x 1800 mm		5375 mm x 1860 mm x 1830 mm	
Wheelbase	3095 mm			
Cargo Deck (Inner) (LxWxH)	2440 mm x 1725 mm x 510 mm	-	2440 mm x 1725 mm x 510 mm	-
Turning Circle Radius	6.3 m			
Ground Clearance	220 mm			
Weight				
Payload	1240 kg	-	1710 kg	-
GVW	2990 kg		3490 kg	
Kerb Weight	1750 kg	1550 kg	1780 kg	1580 kg
Capacity				
Fuel tank capacity	55 litre			
Seating Capacity	D+1			

COMFORT / CONVENIENCE
Power Steering with Tilt Adjustment
Blower with Heater
Air Conditioner (Optional)
Dust and Pollen Filter
Driver Seat and Seat-belt Height Adjuster
Inner and Outer Dash Noise Insulation
Fabric Seat Cover and Moulded Roof Lining
Clutch Footrest
High Contrast New Gen Digital Display with Clock
Gear Shift Indicator
Front Wiper with Intermittent mode
ORVMs with Adjustment Retention
Large A-pillar Assist Grip
Co-driver seat sliding
Sun visor for driver & co-driver
UTILITY
Multiple Storage Compartments
Multiple Bottle and Cup Holders
Twin Glove Box
Twin 12 V Mobile charging points
2 Speakers with pre-wiring*
Vinyl Floor Cover
SAFETY / SECURITY
Hydraulic Brake with large Booster (26.67 cm) and LSPV
Ventilated Front Disc Brake with Twin Pot Caliper
Brake Override System
Chassis and Cabin with Crumple Zones
Cross Car Front Beam
Door Side Intrusion Beams
Steel Skid Plate with Engine Bottom Guard
Collapsible Steering Column
Day and Night Inside Rear View Mirror (Flat Deck only)
Rear Parking Assist System
Warning Lights and Buzzers
ELR Seat Belts
Tubeless Tyres
Large tyres (40.64 cm)

*A/c variants only



3 yr. / 1 0 0 0 0 0 km*

Warranty

***CONDITIONS APPLY**



Disclaimer: The ISUZU D-Max vehicle can only be registered as 'Commercial Vehicle' in India and can only be driven by person/s holding a valid 'Light Commercial Vehicle' license or such other as may be prescribed under the relevant norms prevalent under different states in India in line with the Motor Act 1988 and Central Motor Vehicle Rules, 1989 as amended from time to time. The information provided in this brochure should be viewed as accurate at the time of going to print. Images shown are only for representation purpose. The illustrations/images may show optional equipment and

accessories which are not part of the standard package. The product specifications/variants/colours shown in the brochure are subject to change without notice and the manufacture reserves the right to change/modify elements of vehicle specifications and equipment/accessories. Actual vehicle colours in the brochure may vary from those shown owing to limitations in printing. Model series ISUZU D-MAX comply with Bharat Stage VI emission norms. Date of going to print - 5th October, 2020

For more information, visit us at: www.isuzu.in
 f ISUZU Motors India | You Tube IsuzuMotorsIndia



Galena Grey



Titanium Silver



Splash White

PICK FROM **THE BEST.**



ISUZU MOTORS INDIA PRIVATE LIMITED

9th Floor, Prestige Centre Court - Office Block,
Vijaya Forum Mall, No. 183, N. S. K Salai,
Vadapalani, Chennai - 600 026, Tamil Nadu, India.
Toll Free No.: 1800 4199 188

ISUZU
NEVER STOP