



# THE 2

M PERFORMANCE EDITION.



NOW EVEN MORE  
IRRESISTIBLE.



## THE BMW 2 SERIES GRAN COUPÉ M PERFORMANCE EDITION.

HERE IS WHAT MAKES THE BMW 2 SERIES GRAN COUPÉ M PERFORMANCE EDITION AN IRRESISTIBLE DRIVING FORCE.

The BMW 2 Series Gran Coupé M Performance Edition introduces a harmonious blend of aesthetics and sportiness. Revel in the irresistible details, from the M Performance Front Kidney Grille in Cerium Grey to the Panoramic Glass Sunroof, offering a flamboyant and athletic look that satisfies your desire to stand out.



M Performance Front Kidney Grille



M Performance Gear Knob in Alcantara



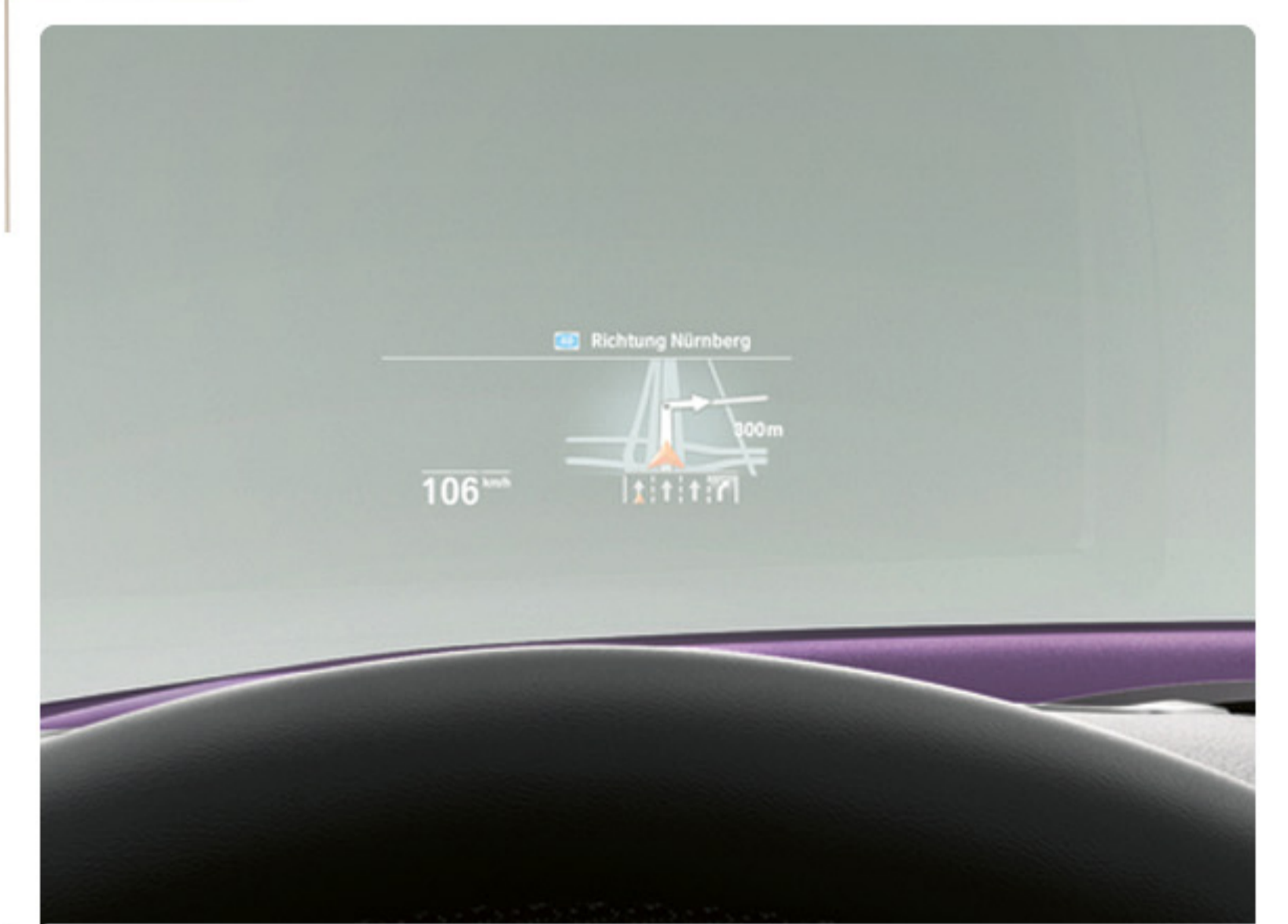
M Performance Door Pins



M Performance Door Projector



M Performance Stickers



Head-Up Display



BMW TwinPower Turbo 2.0-litre 4-cylinder Petrol Engine



Live Cockpit Professional



Hi-Fi Loudspeaker System



Wireless Smartphone Integration with Apple Carplay and Android Auto

# Specifications.

## The BMW 2 Series Gran Coupé M Performance Edition



Technical Data	220i M Performance Edition	BMW ConnectedDrive	220i M Performance Edition
Acceleration 0-100 km/h in sec	7.1	Smartphone Integration with Wireless functionality	■
Capacity in cc	1,998	Parking Assistant with Reversing Assistant	■
Cylinders/Valves	4/4	<b>BMW Live Cockpit Professional</b> - Fully Digital 10.25" (26.03 cm) Instrument Display - High-resolution (1920x720 pixels) 10.25" (26.03 cm) Control Display - BMW Operating System 7.0 with variable configurable widgets - Navigation Function with 3D maps - Touch Functionality - iDrive Touch with handwriting recognition and direct access buttons - Voice Control	■
Max. output in kW(hp) at 1/min <sup>b</sup>	132(176)/5,100	Head-Up Display	■
Max. torque in Nm at 1/min <sup>b</sup>	280/1,350-4,600	Wireless Charging	■
<b>Drive and Transmission</b>	<b>220i M Performance Edition</b>	Rear-View Camera	■
7-Speed Steptronic Sport Transmission with double clutch - Shift-by-wire gear selector switch - Gearshift paddles on steering wheel - Sporty fast gear shifting in specific driving modes - Launch Control with imagery in the instrument cluster	■	BMW Gesture Control	■
BMW TwinPower Turbo 4-cylinder engine	Petrol	Hi-Fi Speaker System with 10 speakers and total output of 205 watts	■
BMW Driving Experience Control (Modes: ECOPRO, Comfort, Sport)	■	<b>BMW EfficientDynamics</b>	<b>220i M Performance Edition</b>
<b>Performance Control:</b> Engine control and brake interventions during cornering, agility enhancement, & curve neutrality	■	Intelligent Automatic Start/Stop function	■
Servotronic steering assist	■	Brake Energy Regeneration	■
<b>M Performance Package</b>	<b>220i M Performance Edition</b>	BMW Efficient Lightweight construction	■
Contrasting seams on the Dashboard	■	CO <sub>2</sub> Emission g/km <sup>a</sup>	160
M Aerodynamics package with front apron, rear apron and side sill in body colour with Dark Shadow insert	■	Fuel Economy km/L <sup>a</sup>	14.82
M Performance Kidney Grille in Cerium Grey Matte	■	<b>Safety Features</b>	<b>220i M Performance Edition</b>
ORVM in Cerium Grey Matte	■	<b>6 Airbags:</b> - Front airbags for driver and front passenger - Side airbags for driver and front passenger, integrated in the door-side seat backrest bolsters - Head airbags integrated into roof edge and A-pillar for all 4 outer seats	■
Fog Lamp Inserts in Cerium Grey Matte	■	<b>Three-point seat belts</b> - For all four seats - Pyrotechnic seat belt tensioner - Seat belt force limiter - Front including seat belt stopper	■
M Performance Stickers	■	Side-impact protection	■
M Performance Gear Knob in Alcantara	■	<b>Crash sensors ensuring:</b> - Activation of the airbags, the hazard light system, the interior light - Unlocking of the doors & activation of the interior lighting - Activation of the safety battery terminal clamp - Deactivation of the fuel pump in the event of a crash	■
M Performance Door Pins	■	Acoustic Warning on exceeding designated speeds	■
M Performance Door Projector	■	Pedestrian protection with Active Bonnet	■
'M' designation on the sides	■	<b>Attentive assistance</b> - Analyses the driving behaviour of the driver - Suggests when to take a break in the control display - Functions from 70 km/h and higher	■
Door sill finishers with 'M' designation in Front Doors	■	Anti-lock Braking System (ABS) with Brake Assist	■
Vehicle key with insert in Black High-Gloss	■	Dynamic Stability Control (DSC) including Dynamic Traction Control (DTC)	■
Individual High-Gloss Shadowline	■	Cornering Brake Control (CBC)	■
M Roof-Lining Anthracite	■	Electronic vehicle immobiliser	■
M leather steering wheel in leather 'Walknappa' in black with black stitching and 'M' badging	■	BMW Condition Based Service	■
<b>Exterior Equipment</b>	<b>220i M Performance Edition</b>	Integrated Emergency Spare wheel	■
LED Headlamps with BMW twin hexagonal design icon lights - LED daytime running lamps	■	ISOFIX child seat mounting	■
LED Tail Lights with aerodynamically optimized 3D two-part L-Shaped design	■	Runflat tyres with reinforced side walls	■
Exterior mirror electrically adjustable	■	Tyre pressure Monitoring System	■
LED Fog lamps	■	Warning triangle with first-aid kit	■
Follow-me-home function	■	<b>Interior Trims</b>	<b>220i M Performance Edition</b>
Rain sensor and automatic driving lights	■	Interior trim finishers 'Illuminated Boston'	■
Twin exhaust tailpipe in chrome finish	■	<b>Exterior Colours<sup>1</sup></b>	<b>220i M Performance Edition</b>
LED projection "BMW" from exterior mirror on driver's side	■	Black Sapphire (metallic)	■
Welcome lights for outer door handles (front and rear)	■	<b>Upholstery<sup>1</sup></b>	<b>220i M Performance Edition</b>
<b>Interior Equipment</b>	<b>220i M Performance Edition</b>	Sensatec Oyster   Black	■
Automatic air conditioning with 2 zone control includes Automatic Air Recirculation (AAR)	■	<b>Alloy Wheels</b>	<b>220i M Performance Edition</b>
Air-vents for rear seat occupants	■	43.18 cm (17") M light alloy wheels Double-spoke style 550 M Bicolour (225/45 R17)	■
Micro-activated carbon particulate filter for fresh and recirculated air	■	<b>BMW Secure Advance Package<sup>2</sup></b>	<b>220i M Performance Edition</b>
Ambient lighting: Atmospheric Lighting in front with six selectable light designs for instrument panel and door trims	■	BMW Secure Advance includes Tyres, Alloys, Engine Secure, Key Lost Assistance and Golf Hole-in-One	■
Panorama Glass Roof with automatic sliding / tilting function	■	Road Side Assistance 24x7	■
Cruise control with braking function	■	<b>BMW Maintenance Packages (inclusive of taxes)</b>	<b>220i M Performance Edition</b>
Armrest front with storage compartment	■	BMW Service Inclusive 3 years/40,000 km	₹ 52,156
Sport seats for driver and front passenger	■	BMW Service Inclusive Plus 3 years/40,000 km	₹ 1,04,666
Electrical seat adjustment for driver & passenger with memory function for driver	■	BMW Repair Inclusive 3 years/Unlimited Mileage	₹ 46,138
Floor mats in velour	■		
Interior mirrors with automatic anti-dazzle function	■		
Multifunction buttons for steering wheel	■		
Rear seat with 40:20:40 folding, can be folded individually	■		
Centre armrest in rear with 2 cup holders	■		
Storage compartment package	■		
<b>BMW ConnectedDrive</b>	<b>220i M Performance Edition</b>		
Bluetooth with audio streaming, handsfree and USB connectivity	■		

■ Standard equipment   □ Optional equipment   - Not available

Notes: <sup>a</sup> Performance data as measured in the emission test done under controlled conditions of environment, driving cycle, fuel, etc. as specified in Rule 115 of Central Motor Vehicle Rules, 1989.

<sup>b</sup> Performance data measured in the test done under controlled conditions of environment, fuel, etc. as per Central Motor Vehicle Rules, 1989.

<sup>c</sup> Terms and Conditions apply. For further information please refer to the product brochure or contact your local Authorised BMW Dealer.

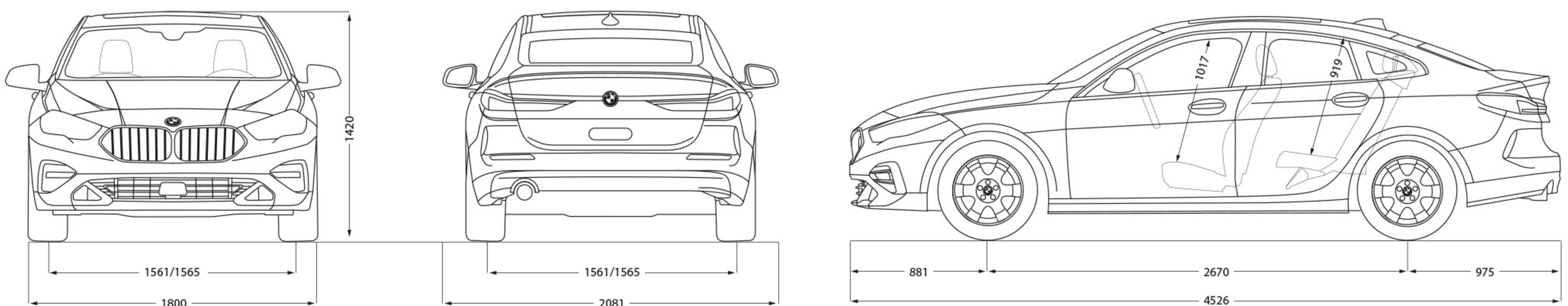
<sup>d</sup> For detailed Terms & Conditions, scope of services (inclusions & exclusions) and coverage duration (in years) & mileage (in kilometers), please refer to BSI brochure and/or contact your Authorised BMW Dealer. Compliance under Legal Metrology Act.

<sup>e</sup> The models, equipment and possible vehicle configurations illustrated in this specification sheet may differ from vehicles supplied in the Indian market.

<sup>f</sup> For available colour and upholstery combinations, please check with your local Authorised BMW Dealer.

Please visit [www.bmw.in](http://www.bmw.in) for more information.

## DIMENSIONS





THE  
**2**  
IRRESISTIBLE.

**THIS LIMITED EDITION MASTERPIECE**  
IS EXCLUSIVELY AVAILABLE ON THE BMW ONLINE SHOP.

**FOR MORE INFORMATION, CALL 1800 102 2269.**

The models, equipment and possible vehicle configurations illustrated in this brochure may differ from vehicles supplied in the Indian market. For precise information, please contact your local Authorised BMW Dealer. Subject to change in design and equipment. © BMW India Pvt. Ltd., Gurgaon, India. Not to be reproduced wholly or in part without written permission of BMW India Pvt. Ltd., Gurgaon, India.