



**Audi e-tron**  
**Audi e-tron Sportback**

Future is an attitude

# Contents

---

<b>Audi e-tron</b>	Electric Mobility	01
	Overview	02
<b>Performance and Motor</b>	Performance	03
	Motor	05
	Performance Features	08
	Body Style	10
<b>Equipment and Aesthetics</b>	Exterior	11
	Exterior Features	13
	Interior	17
	Interior Features	19
	Infotainment	22
	Infotainment Features	24
	Efficiency and Charging	26
	Charging Features	28
	Charging Capacity	30
	Safety Features	32
	e-tron Hub	35
<b>Colour and Styling</b>	Exterior Colour Options	39
	Interior Colour Options	41
<b>Technical Information</b>	Technical Data	42



## The power of electric mobility

The e-tron name describes Audi vehicles that are wholly driven by electric power, featuring plug-in and fast-charging convenience, advanced energy recuperation whilst driving, and of course, zero emissions. With sophisticated batteries, forward-thinking navigation systems that build charging into your journey and innovative driving systems for safety and control, an electrified Audi is a leap into smarter driving. Which is why, the name Audi e-tron is now synonymous with electric mobility.



## The future is electric

With progress comes evolution. And the Audi e-tron is the pinnacle of that evolution. This isn't just another car, it's the beginning of a new era - the era of electric. It's a car from the future, for the future.



# Performance



## Electrifying performance

Powered by two incredibly dynamic electric motors in the front and rear, the Audi e-tron is a completely novel driving experience. This electric SUV promises an impressive driving experience with its progressive steering and electric all-wheel drive system which provides for optimal traction and handling in all driving situations. You've never driven an Audi like this before.

## Audi e-tron 50



**Electrical Power**  
230 kW/313 hp



**Torque**  
540 Nm



**Acceleration**  
6.8 sec  
(0 to 100 km/h)



**Range**  
(WLTP combined)\*  
264-379 km



**Battery**  
71 kWh

\*This maximum value is obtained in efficiency driving mode on 48.26 cm tires with air conditioning and heating switched-off within city conditions at a temperature above 5°C as per WLTP certificate. Driving range may vary for other driving conditions and environment factors.

## Audi e-tron 55



**Electrical Power**  
300 kW/408 hp<sup>#</sup>



**Torque**  
664 Nm<sup>#</sup>



**Acceleration**  
5.7 sec<sup>#</sup>  
(0 to 100 km/h)



**Range**  
(WLTP combined)\*  
359-484 km



**Battery**  
95 kWh

\*This maximum value is obtained in efficiency driving mode on 48.26 cm tires with air conditioning and heating switched-off within city conditions at a temperature above 5°C as per WLTP certificate. Driving range may vary for other driving conditions and environment factors. <sup>#</sup>Figures for Electrical Power, Torque and Acceleration are with the Boost function.



## Audi e-tron Sportback 55



**Electrical Power**  
300 kW/408 hp<sup>#</sup>



**Torque**  
664 Nm<sup>#</sup>



**Acceleration**  
5.7 sec<sup>#</sup>  
(0 to 100 km/h)



**Range**  
(WLTP combined)\*  
359-484 km



**Battery**  
95 kWh

\*This maximum value is obtained in efficiency driving mode on 48.26 cm tires with air conditioning and heating switched-off within city conditions at a temperature above 5°C as per WLTP certificate. Driving range may vary for other driving conditions and environment factors. <sup>#</sup>Figures for Electrical Power, Torque and Acceleration are with the Boost function.

## Performance Features



### > Front and Rear Electric Motors

Two electric motors in the front and rear means that the e-tron comes with effortless power. An electric boost in the Audi e-tron 55 provides a surge in power to improve the acceleration and can be activated via a kick-down pedal while in Dynamic mode or transmission in S mode.



### > Progressive Steering System

Progressive steering is a standard feature in the Audi e-tron that enhances handling dynamics and ride comfort. This steering assistance system provides more direct steering and reduces steering effort which makes your Audi e-tron more responsive in the city for easy parking and maneuvering, and more agile and precise on open roads.



### > quattro Permanent All-wheel drive

The future of quattro is now electric as well. The Audi e-tron is equipped with a fully variable quattro drive as standard. Working together with the electric drive system, it ensures that drive forces are distributed quickly and as required to each individual wheel. The quattro drive in the Audi e-tron consequently excels in Driving dynamics, Traction, Safety and Efficiency.



#### > Audi Drive Select

The Audi Drive Select comes pre-loaded with 7 different modes that allow you to adjust the vehicle's characteristics by adapting the steering assistance, engine characteristics and adaptive air suspension.



#### > Adaptive Air Suspension

The adaptive air suspension system sets the height of the body at different levels depending on the vehicle's speed and the driver's request. This means that the Audi e-tron intuitively increases or decreases its ground clearance, thereby providing supreme ride comfort and sporty handling.

## Body Style

The Audi e-tron and Audi e-tron Sportback are each uniquely different.



### **Audi e-tron**

A dapper, broad SUV with a well-defined straight roof.



### **Audi e-tron Sportback**

An athletic SUV with a robust, sloping roof line.



# Exterior



## Elegantly electric

The Audi e-tron is straight from the future. From the platinum grey single-frame grille to its modern taillights, it creates an era-defining design aesthetic. The Audi e-tron's four horizontal struts that have been integrated in the standard Matrix LED Headlights add to its sleek road presence and its progressive, dynamic design makes sure that it turns heads wherever it goes.

## Exterior Features



### > Digital Matrix LED Headlights\*\*

The Audi Digital Matrix LED Headlights are based on the cutting-edge digital micromirror device technology. This revolutionary technology opens up new possibilities for adaptive light distribution and light assistance through the direct projection of high-resolution light images. It automatically adjusts the orientation of the light, thereby dimming and illuminating the road ahead as needed. The Audi e-tron also offers 5 pre-set projection modes that can be selected from the top MMI display.

### > Door Entrance LED Projector Lights In Front and Rear

A simple, yet elegant feature that projects the e-tron logo on the ground using LED technology when you open the front or rear side doors.

### > Panoramic Glass Sunroof

The electronically operated panoramic glass sunroof not only provides you with a beautiful, clear view of the sky, but also integrates well with the aesthetic of the car's design.



> **Orange Brake Callipers**

Brake callipers painted in dynamic orange visualise the high-voltage technology of the Audi e-tron.



> **Acoustic Sound Generator**

This system generates a futuristic sound whenever the Audi e-tron is put in drive or reverse gear, through external speakers, making the streets safer for pedestrians.



> **Comfort Key With Gesture-based Lid Operation**

Unlocking the Audi e-tron is now easier with the convenience of the comfort key. You simply need to carry the comfort key with you and the system lets you unlock your vehicle. And when your hands are full, a simple foot gesture can open, and close, your Audi e-tron's boot lid with ease.





> **Soft Door Closing\***

The power-assisted door closing function gently pulls the doors in and closes them soundlessly.



> **e-tron Badges On Charging Flaps**

Charging the Audi e-tron becomes easier with these e-tron badges on the charging flaps for easy identification and access.



> **5 Arm Dynamic Style Alloy Wheels**

Make a statement wherever you go with the 50.8 cm Alloy Wheels with a 5 arm dynamic style in Graphite Gray, which come as a standard for your Audi e-tron.



> **Platinum Grey Single Frame Grille**

The platinum grey single frame grille in the front gives your Audi e-tron a sleek, stylish look, so that your car makes its presence felt wherever it goes.



> **Rear Lights With Continuous LED Strips**

This aesthetic feature accentuates the shape of your Audi e-tron. The continuous LED strips in the rear make the design more dynamic, and your vehicle more visually stunning.





# Interior

Image for representation purpose only. Please contact your nearest Audi authorized e-tron dealer for further details.



## Charged to recharge

Design and technology come together to create the most luxurious in-cabin experience. In true Audi style, every inch of it feels purposeful and premium. A generous arc envelops the cascading MMI touch response instrument panel. With soothing ambient and contour lighting, 4-zone automatic air conditioning, and a top-of-the-line Bang and Olufsen sound system, the interiors are designed to recharge you on the go.

## Interior Features



### > Wraparound Dash Panel

The wraparound dash panel gracefully traces the arc of the car, encompassing the instrument panel and harmoniously integrating the hood above the Audi virtual cockpit.



### > Contour & Ambient Lighting Package\*\*

The contour and ambient lighting package comes with 6 predefined colour profiles and an additional interactive, custom colour profile which is controlled via the Audi drive select modes. You also get to choose from 30 colour options to personalise your car's interiors.



### > Air Quality Package\*\*

The air quality package uses an air-ioniser to reduce harmful particles and germs from the air in the cabin, thereby improving its quality. It comes with two distinct fragrances and 4 different intensities.



#### > 4-zone Climate Control System

A standard feature of the Audi e-tron, the 4-zone climate control system is an air conditioning system that has separately adjustable temperature and air distribution settings for the left and right-hand sides as well as front and rear of the car, along with a rear touchscreen display.



#### > 360-degree Camera System\*\*

Four wide-angle 360-degree cameras provide a range of different views as you manoeuvre your Audi e-tron. These cameras cover the area immediately around your vehicle and can be controlled via the top MMI Display.



#### > Twin-spoke Leather Steering Wheel

This uniquely crafted steering wheel feels just right in your hands. Its progressive and exclusive design with an aluminium look integrates seamlessly with the interiors. The shift paddles allow you to switch manually between recuperation stages.



#### > Cruise Control With Speed Limiter Function\*\*

Cruise control function helps you maintain a set speed from 20 kmph for your Audi e-tron by adjusting the engine output or by active brake intervention, provided sufficient engine and brake power are available. With the speed limiter function, you can limit your Audi e-tron from going over a set speed.



#### > Cabin Silence

The body of the Audi e-tron has been optimised for comfort when it comes to vibration and noise. Sound absorbing and insulating materials reduce sound penetration in the passenger compartment while advanced aeroacoustics further reduce background noise.





# Infotainment

Image for representation purpose only. Please contact your nearest Audi authorized e-tron dealer for further details.





## Connect to the future

The Audi e-tron is a technological marvel in more ways than one. Combining the best of automotive technology with the best-in-class infotainment features, such as the Audi Virtual Cockpit, MMI Navigation Plus with MMI touch response and other such features, make the Audi e-tron full of endless possibilities.

## Infotainment Features



### > Audi Virtual Cockpit/Audi Virtual Cockpit Plus\*

Innovative, adaptive, and intuitive, the Audi Virtual Cockpit is a 31.24 cm fully digital instrument cluster for flexible, on-demand display of relevant information tailored to fit the driver's needs. From monitoring electric range to displaying maps, to connecting with the radio and media services, everything is made possible here. The optional Audi Virtual cockpit plus comes with additional "e-tron Sport" display mode.

### > MMI Navigation Plus With MMI Touch Response

A high-resolution 25.65 cm colour display, the MMI navigation plus system is an intuitive touch-based system that provides haptic feedback and a host of functions, ranging from navigation on a 3D Map to other control functions. This feature also includes a free text and search system that functions as a search engine, delivering responses within a few short seconds.



> **Bang & Olufsen Premium Sound System\*\***

The Bang & Olufsen premium sound system is an optional feature, but one that you definitely need in your Audi e-tron. With a 705 W output, 3D sound system, and 16 speakers working in conjunction with the low noise electric drive, your music will soundtrack your journey.

> **Audi Phone Box with Wireless Charging**

The Audi phone box with wireless charging is an important feature for those on the go. It optimises phone calls in the vehicle, thanks to its improved reception and call quality along with wireless charging.

> **Head-up Display\***

The intuitive head-up display projects information such as vehicle speed, warning messages, navigation, etc. directly to the driver's field of vision. It provides a high-contrast, multi-coloured display with reduced distraction from the road, and can also be adjusted to your preferred height.



# Efficiency and Charging



## The future created today

The future is green, the future is sustainable. At Audi, we believe in creating better technology for a better tomorrow, today. Exactly why the Audi e-tron is a pioneer when it comes to electric cars.

## Charging Features



### > Range Mode

The range mode monitors and controls the activity of your Audi e-tron, drastically increasing the range of your car.



### > Audi e-tron Compact Charging System

Designed for charging at domestic sockets, this system comprises an operating unit, a vehicle connecting cable, and two different mains cables with domestic and industrial plugs. The Audi e-tron compact charging system has a charging power capacity of up to 11 kW. It comes with a wall bracket to safely mount your Audi e-tron charging system on the wall.



### > Charging Facility On Both Sides

Recharging your Audi e-tron becomes easier and convenient when you have charging slots available on both sides of the car. Park your vehicle in any direction to charge it.



#### > Thermal Management System

The Audi e-tron's thermal management system is responsible for heating up and cooling down the battery in response to the ambient temperature, optimising battery longevity and ensuring reproducible performance. The thermal management system makes DC charging up to 150 kW possible due to its intelligent cooling capabilities.



#### > Recuperation

With its ground-breaking recuperation technology, the Audi e-tron converts kinetic energy into electrical energy. 3 selectable recuperation stages allow you to adapt recuperation to your individual requirements, with each stage having a different level of deceleration that lets you recover different amounts of energy. This system can be controlled manually using shift paddles too.



## Charging Capacity

The charging process is central to the everyday usability of your Audi e-tron. With capacities ranging from 11 kW AC to 150 kW DC, charging your car is now faster than ever. Less charge time means more road time.





### **11 kW AC Charging**

The Audi e-tron can be charged at home or at the office using the 11 kW AC compact charging system. Overnight charging can set you up with a full battery for the next day.



### **22 kW AC Charging**

The Audi e-tron also provides an optional 22 kW on-board charger, that can be used at public AC charging stations and select Audi dealerships. This cuts down your charging time by half, when compared to the 11 kW AC charger.



### **150 kW DC Charging**

Leave your charging concerns at home when driving long distances. Audi e-tron 55 & Audi e-tron Sportback 55 can be charged with up to 150 kW at high-output DC charging stations. This allows you to charge up 80% of your battery in just 30 mins. Audi e-tron 50 can be fast charged when charged with up to 120 kW DC charging.



# Safety Features

Image for representation purpose only. Please contact your nearest Audi authorized e-tron dealer for further details.



## The future of safety

The car from the future also brings with it the future of safety. The many intuitive safety features of the Audi e-tron proactively sense and avoid danger rather than just react to it. So that you can always be safe and comfortable.



#### > **8 Full-size Airbags**

The Audi e-tron comes with 8 full-size airbags. These include the front airbags, front and rear side airbags and head airbag. Illuminated seat belt buckles provide additional convenience for the occupants and enhance the interior with discreet and high-quality illumination.

#### > **Audi Pre-sense Basic**

This intuitive feature initiates preventive protection measures in critical driving situations such as emergency braking or handling at the absolute limits of performance. It involves tensioning the front seat belts and optimising seat position, closing the windows and the panoramic glass sunroof to cover all bases. The systems work only within system limits and assist the driver. However, the driver remains responsible for driving the vehicle and is required to be attentive at all times.

#### > **Protection and Crash Safety**

Battery housing and crash structures secure the battery pack and ensure a high degree of crash safety in critical situations.



# e-tron Hub



## Tap to the future

Getting to know your Audi e-tron just got a whole lot easier. The e-tron hub is a special tab available on the Audi Connect app that guides you on a range of functions and features of your Audi e-tron. From guiding you on how to find your nearest charging station to getting to know your car better, the e-tron hub is full of endless possibilities. Audi e-tron Hub is available on myAudi connect application and [audi.in](https://www.audi.in)





### Ease Of Purchase

Submit a survey request for your home or office using the Audi Mobility Check under e-tron Hub to help locate the best location for your charger.



### Range Calculator

Learn how to plan your trips with the range calculator.



### Charging Network

Get help locating the charging stations nearest to you on a digital map.



### Limitless Knowledge

The e-tron hub has numerous video guides and FAQ's to answer all the questions you might have about your vehicle, right from charging systems to usage.



### Savings Calculator

Quantify your car's environmental impact with this tool.



### Charging Time Calculator

Get an accurate estimate on the time required to charge the car based on the capacity of the charger available.



### Convenience

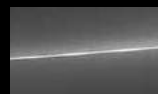
One click on the myAudi Connect App gets you dedicated roadside assistance for your Audi e-tron.





## Exterior Colour Options

Choose the best shade for your Audi e-tron 50 and Audi e-tron 55 from these exterior colour options.



Typhoon Gray  
Metallic



Siam Beige  
Metallic



Mythos Black  
Metallic



Glacier White  
Metallic



Galaxy Blue  
Metallic



Floret Silver  
Metallic



Catalunya Red  
Metallic

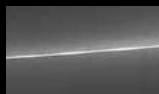


Navarra Blue  
Metallic



## Exterior Colour Options

Choose the best shade for your Audi e-tron Sportback 55 from these exterior colour options.



**Typhoon Gray**  
Metallic



**Siam Beige**  
Metallic



**Plasma Blue**  
Metallic



**Mythos Black**  
Metallic



**Glacier White**  
Metallic



**Galaxy Blue**  
Metallic



**Floret Silver**  
Metallic



**Catalunya Red**  
Metallic



**Navarra Blue**  
Metallic



## Interior Colour Options

Select the best hue for the interiors.



Black



Okapi Brown



Mother of Pearl Beige

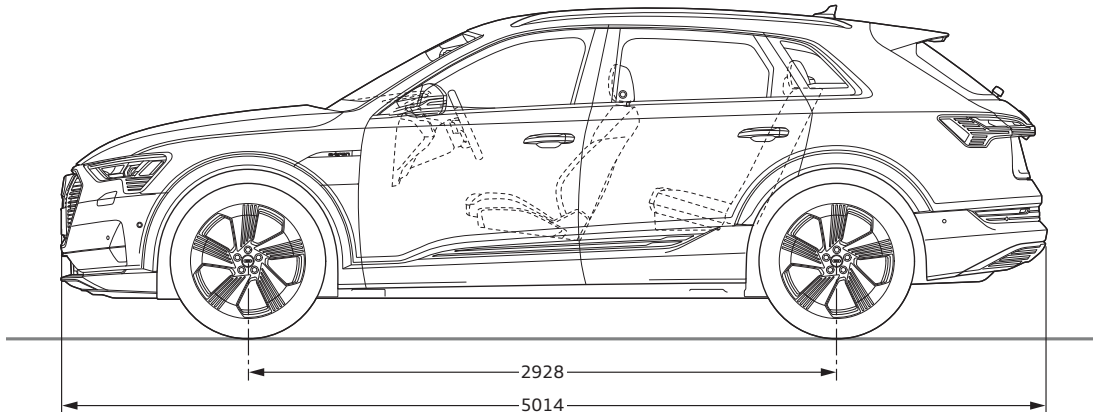
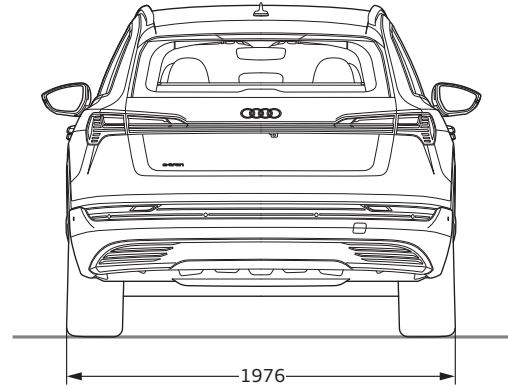
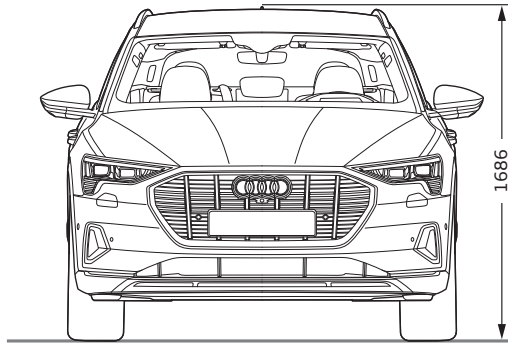


Image for representation purpose only. Please contact your nearest Audi authorized e-tron dealer for further details.

## Audi e-tron 50

**Motor Type**  
Electric motor

**Max power in hp (kW)**  
313(230)

**Max Torque in Nm**  
540

**Drive Type**  
Quattro All-wheel Drive

**Acceleration 0-100 km/h in sec**  
6.8

**Gross Battery Capacity (kWh)**  
71

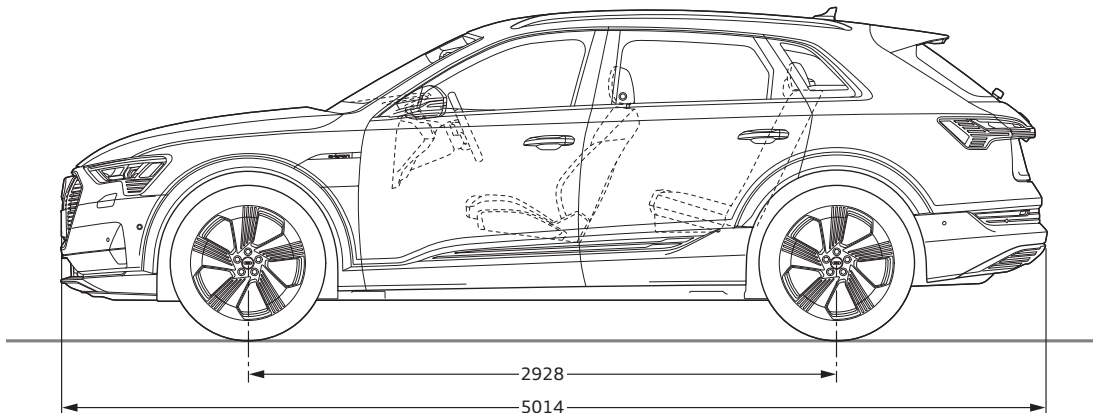
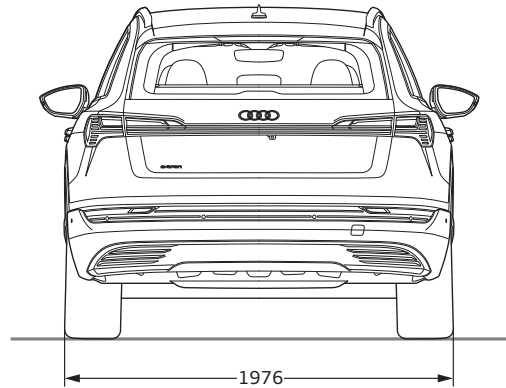
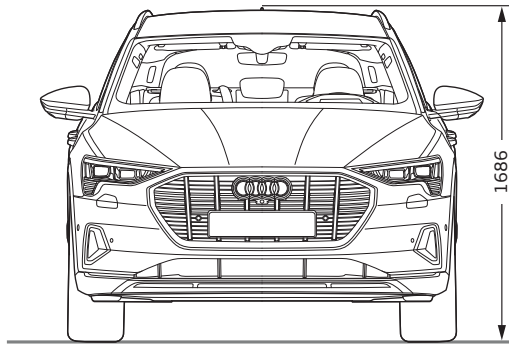
**Net Battery Capacity (kWh)**  
64

**Wheel Type/Size**  
50.8 cm, 5-Arm Dynamic style, Graphite Gray

**Kerb Weight (kg)**  
2,445

**Gross Weight (kg)**  
3,040

**Top Speed (km/h)**  
190



## Audi e-tron 55

**Motor Type**  
Electric motor

**Max power in hp (kW)**  
408(300)<sup>#</sup>

**Max Torque in Nm**  
664<sup>#</sup>

**Drive Type**  
Quattro All-wheel Drive

**Acceleration 0-100 km/h in sec**  
5.7<sup>#</sup>

**Gross Battery Capacity (kWh)**  
95

**Net Battery Capacity (kWh)**  
86

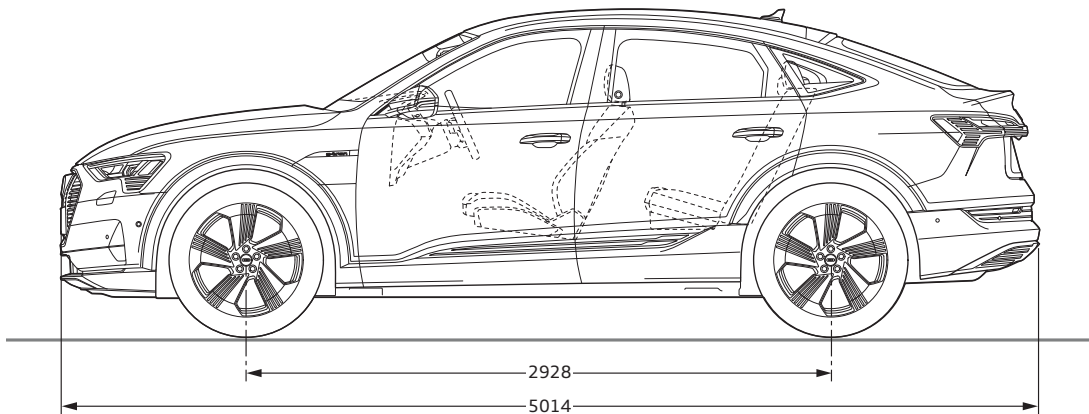
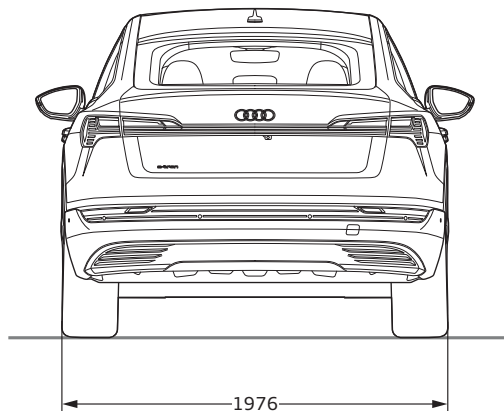
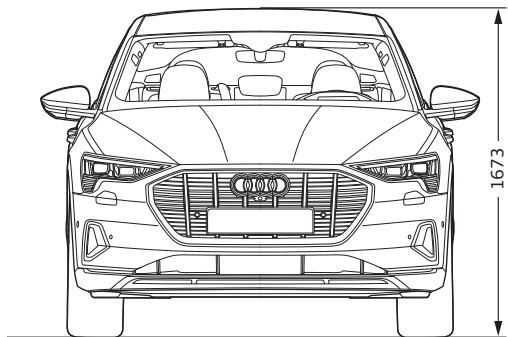
**Wheel Type/Size**  
50.8 cm, 5-Arm Dynamic style, Graphite Gray

**Kerb Weight (kg)**  
2,595

**Gross Weight (kg)**  
3,170

**Top Speed (km/h)**  
200

Image for representation purpose only. Please contact your nearest Audi authorized e-tron dealer for further details.  
<sup>#</sup>Figures for Electrical Power, Torque and Acceleration are with the Boost function.



## Audi e-tron Sportback 55

**Motor Type**  
Electric motor

**Max power in hp (kW)**  
408(300)<sup>#</sup>

**Max Torque in Nm**  
664<sup>#</sup>

**Drive Type**  
Quattro All-wheel Drive

**Acceleration 0-100 km/h in sec**  
5.7<sup>#</sup>

**Gross Battery Capacity (kWh)**  
95

**Net Battery Capacity (kWh)**  
86

**Wheel Type/Size**  
50.8 cm, 5-Arm Dynamic style, Graphite Gray

**Kerb Weight (kg)**  
2,595

**Gross Weight (kg)**  
3,170

**Top Speed (km/h)**  
200

Image for representation purpose only. Please contact your nearest Audi authorized e-tron dealer for further details.  
<sup>#</sup>Figures for Electrical Power, Torque and Acceleration are with the Boost function.

# Audi Vorsprung durch Technik

## Audi India

A division of

ŠKODA AUTO Volkswagen

India Private Limited



(formerly known as Volkswagen

India Private Limited)

Mumbai - India

CIN: U70102PN2007FTC133117

[www.audi.in](http://www.audi.in)

 @audiin  Audi India  AudiIN  Audi India  Audi India | myAudi Connect

The visuals are for illustration purposes only. The model, colours and equipment versions illustrated and described in this brochure as well as some of the services listed may not be currently offered in India. The model and colours of the car illustrated are subject to change without any prior notice and equipped with optional features for which an extra charge is made. Driving Range mentioned is as per WLT Certificate and subject to conditions mentioned in the brochure and shall vary with the model, driving style and external factors. Deviations from the colours and shapes shown in the illustrations may occur. Dark shade on glass is due to lighting effect. No liability is accepted for errors and printing errors. Images are clicked in countries that follow left hand drive. The right to introduce modifications is reserved. Not to be reproduced, including in part, without the written approval of AUDI AG.